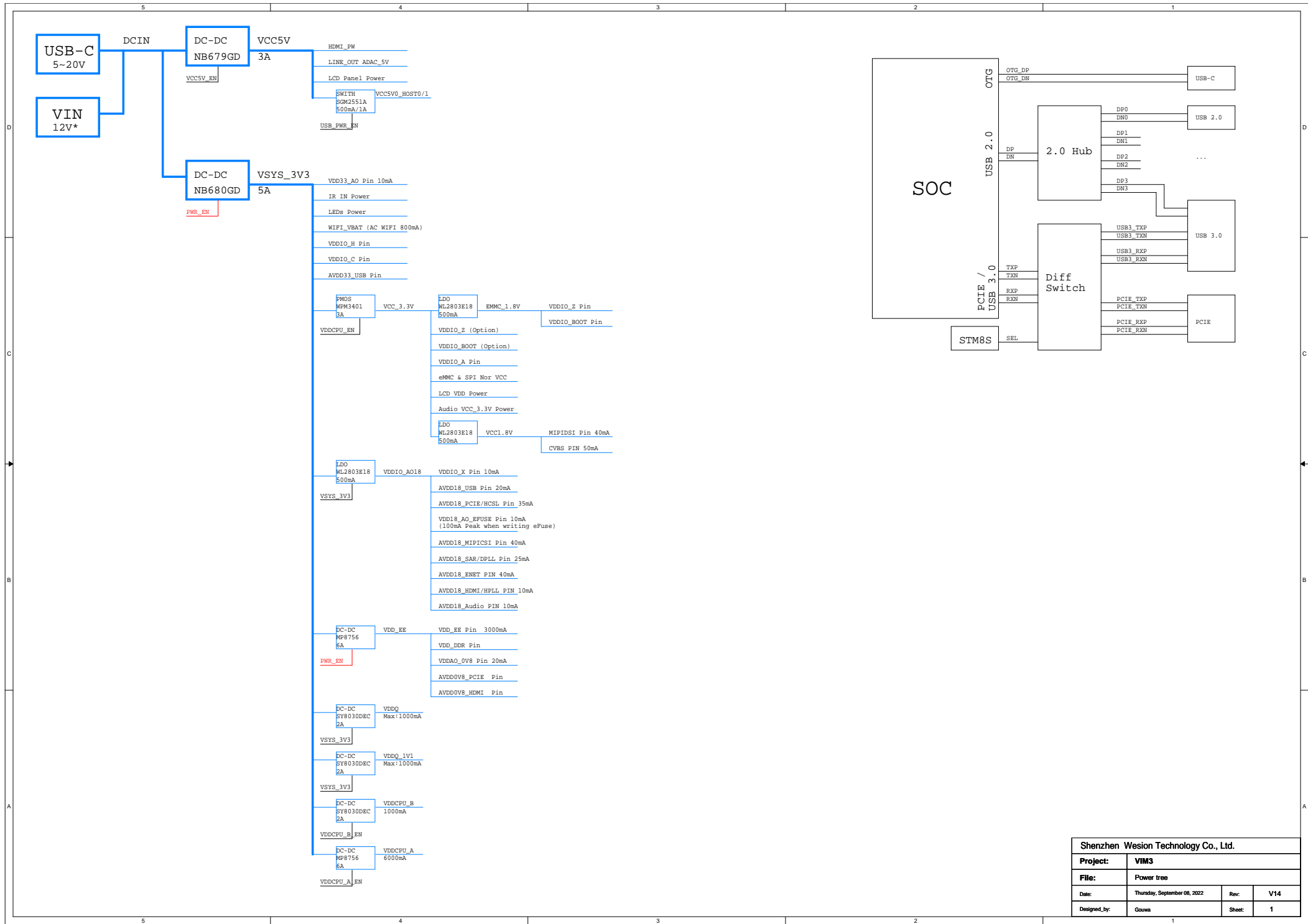




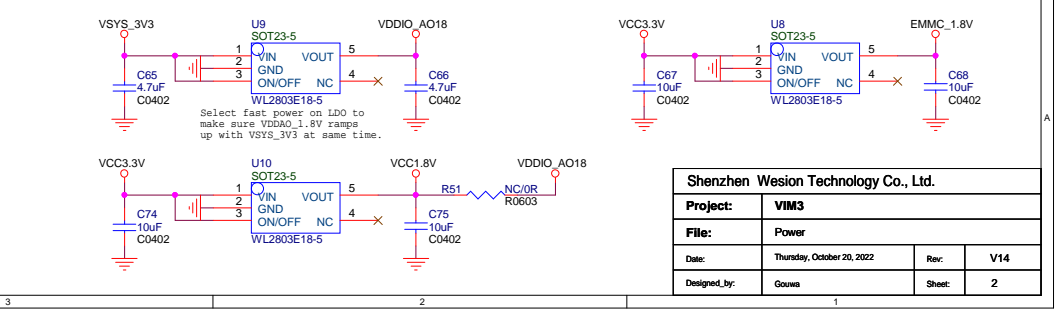
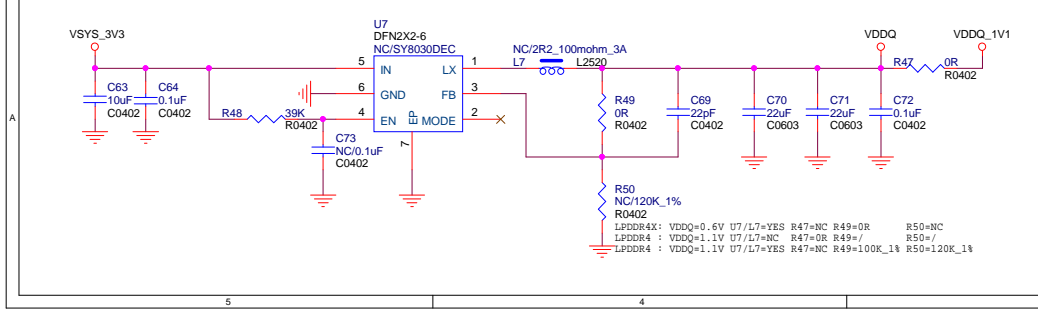
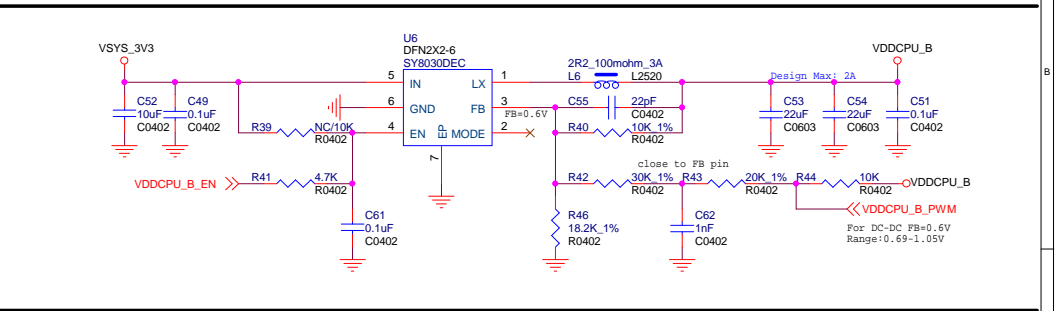
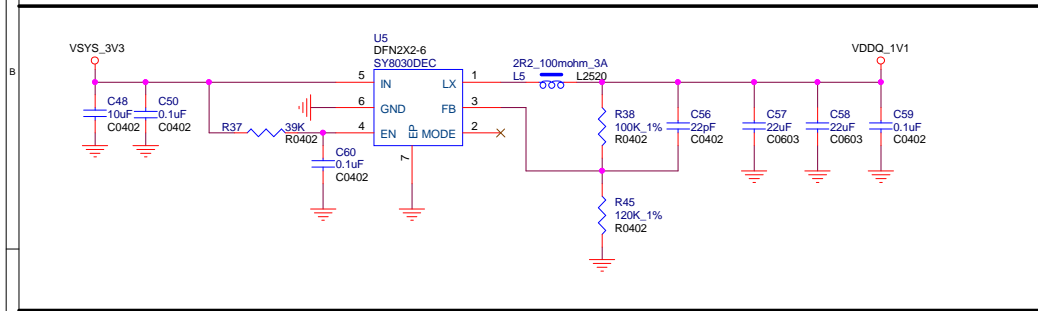
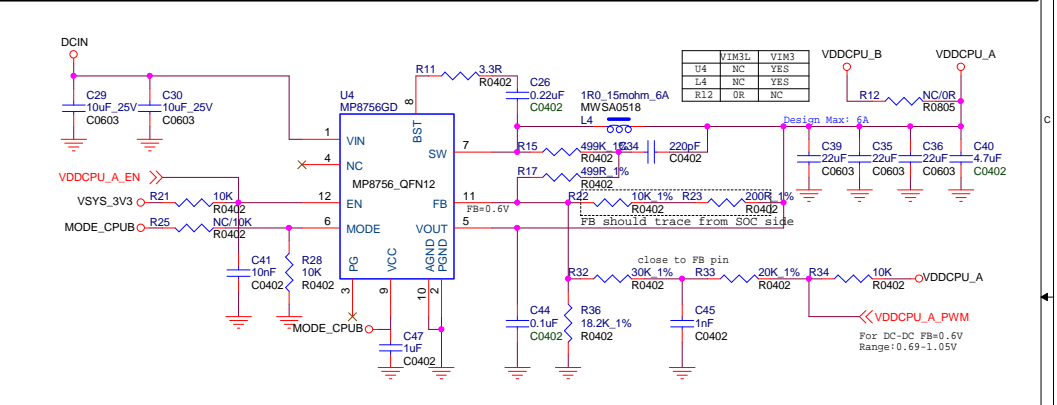
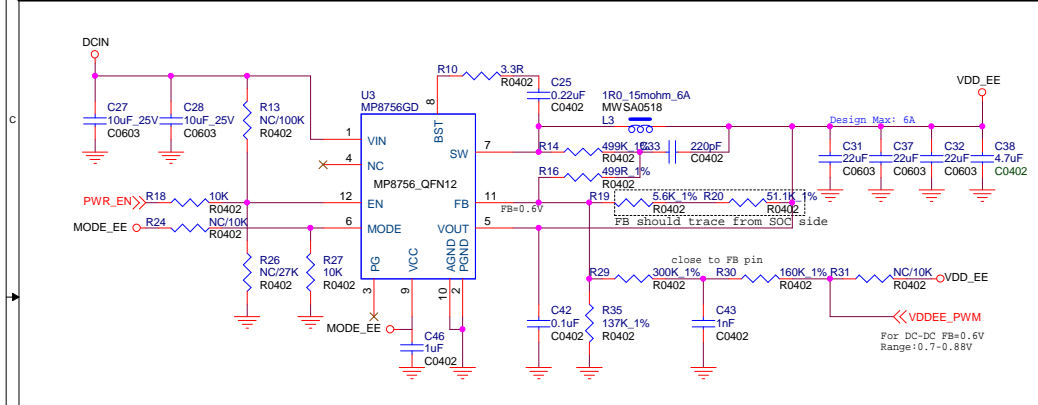
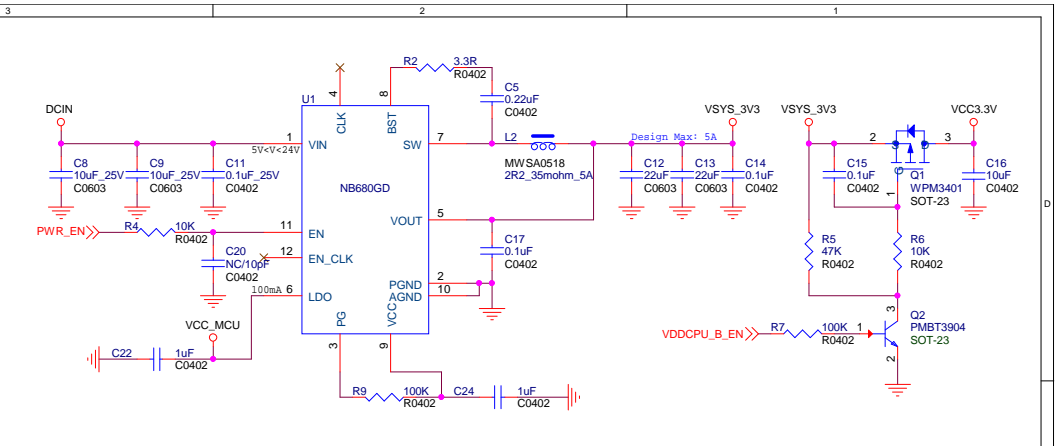
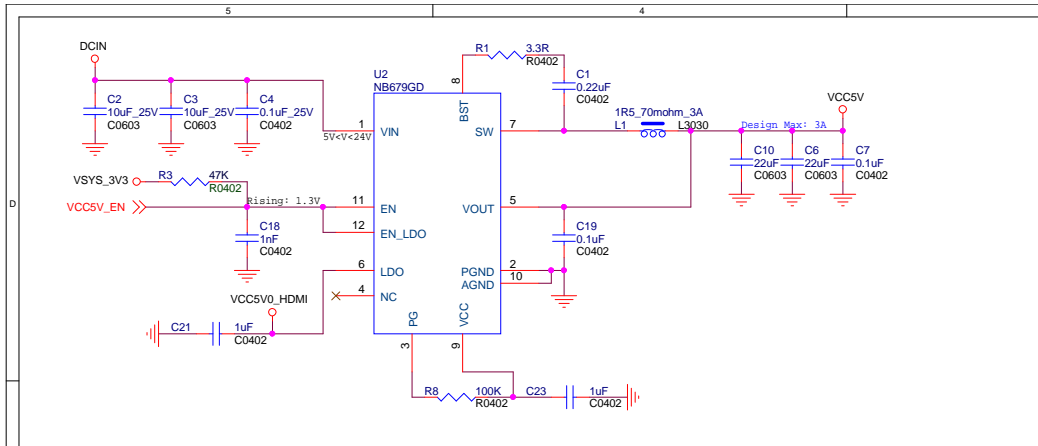
KHADASS

Something a little different.

Shenzhen Wesion Technology Co., Ltd.			
Project:	VIM3		
File:	Khadass		
Date:	Thursday, September 08, 2022	Rev:	V14
Designed_by:	Gouwa	Sheet:	0



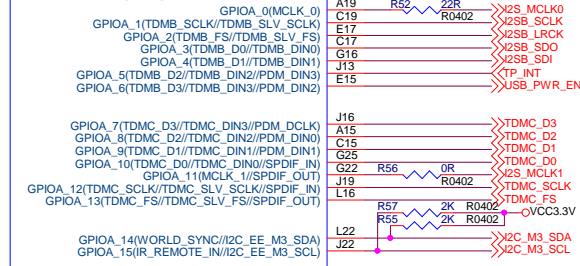
Shenzhen Wesion Technology Co., Ltd.			
Project:	VIM3		
File:	Power tree		
Date:	Thursday, September 08, 2022	Rev:	V14
Designed_by:	Gouwu	Sheet:	1



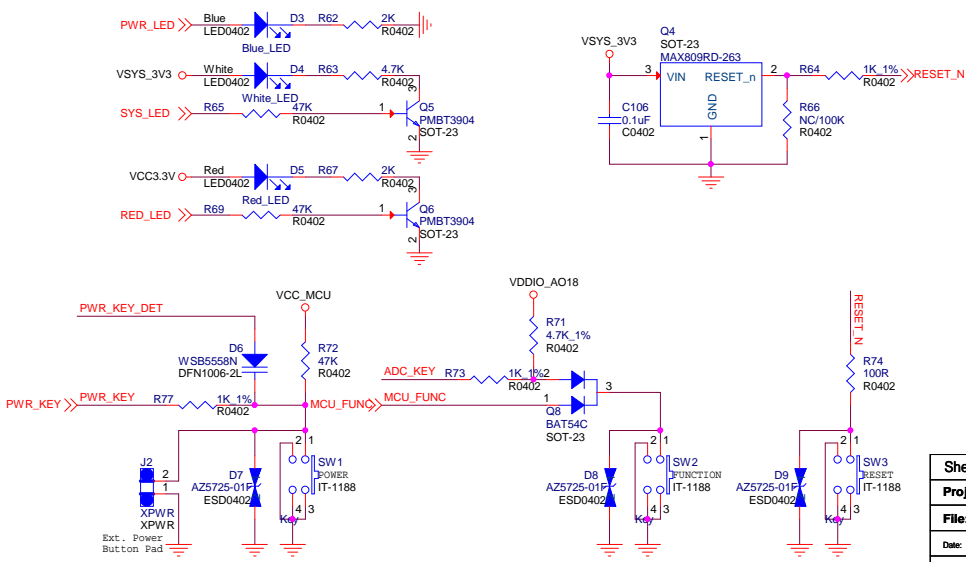
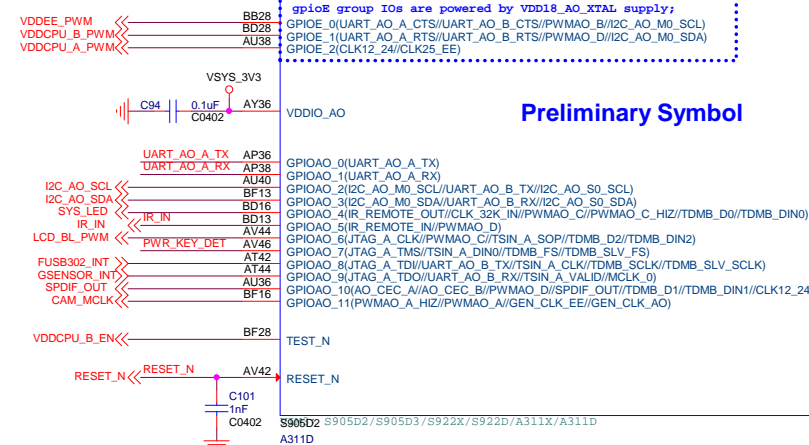
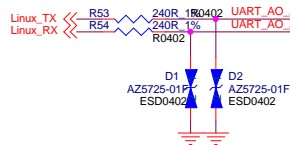
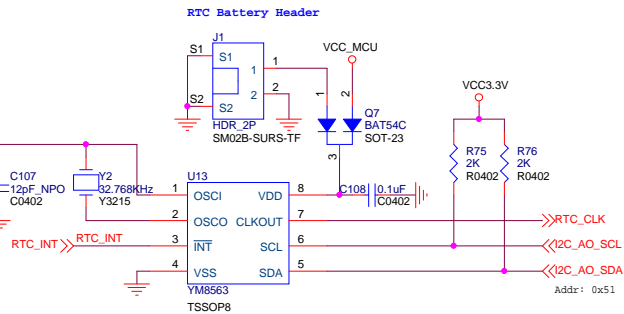
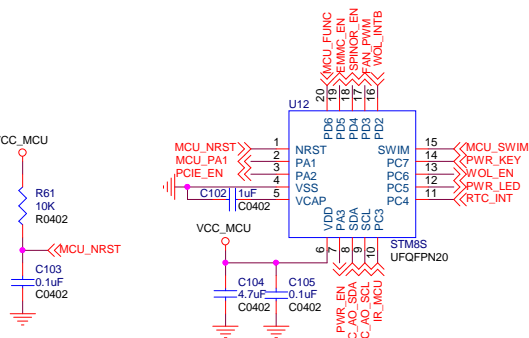
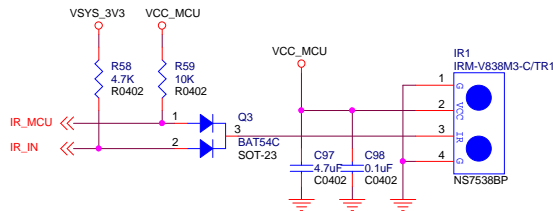
Shenzhen Wesion Technology Co., Ltd.

Project:	VIM3
File:	Power
Date:	Thursday, October 20, 2022
Designed_by:	Gauss
Rev:	V14
Sheet:	2

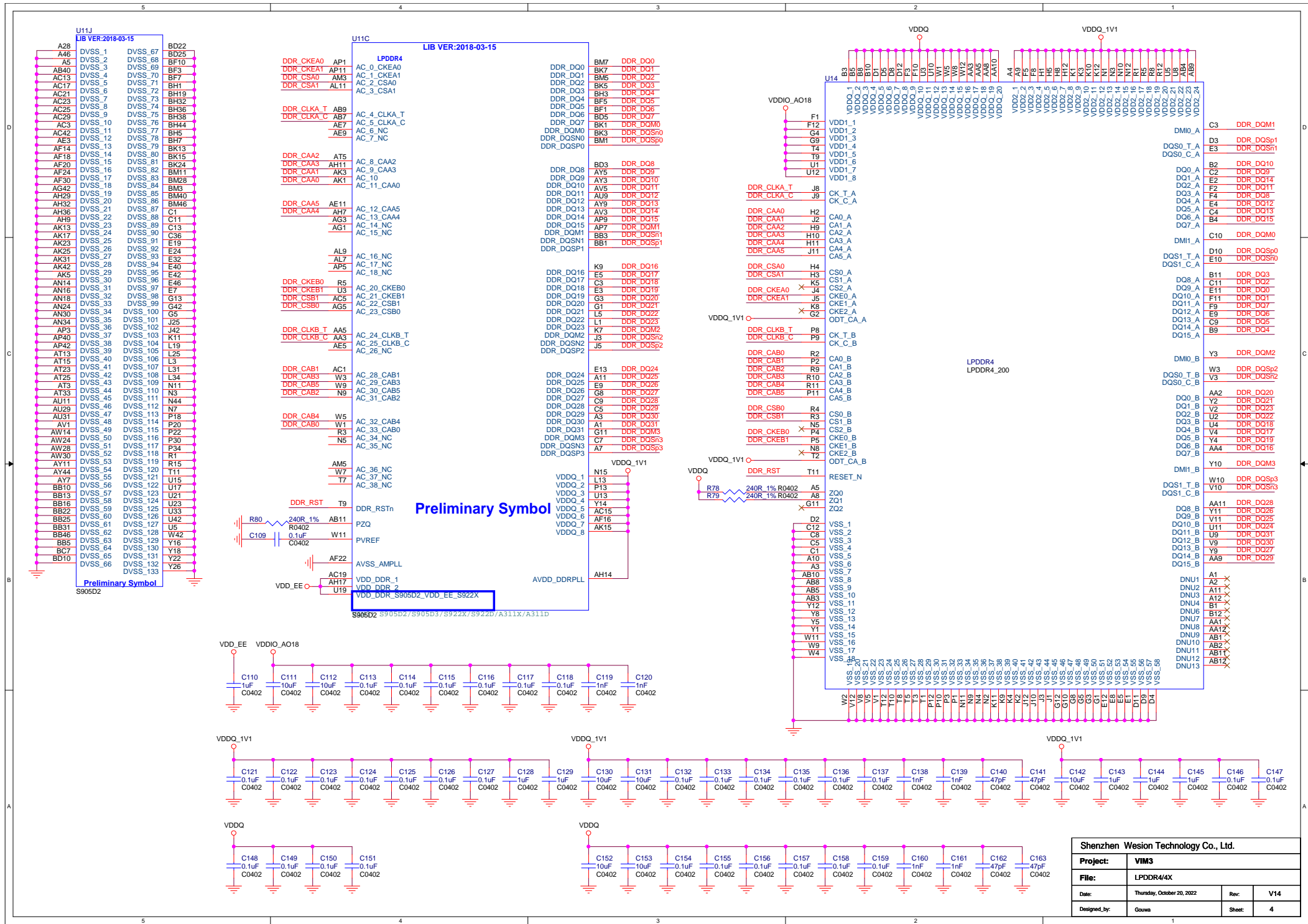
LIB VER:2018-03-15
Preliminary Symbol



S905D2 S905D3/S905D3/S922X/S922D/A311X/A311D
A311D



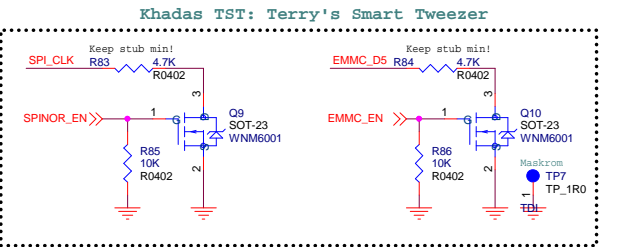
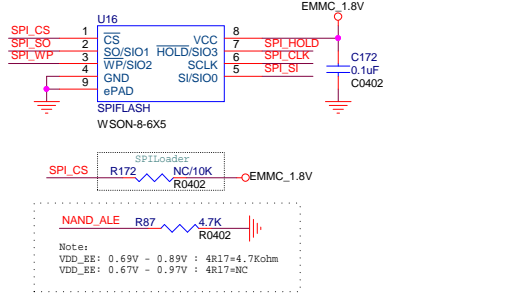
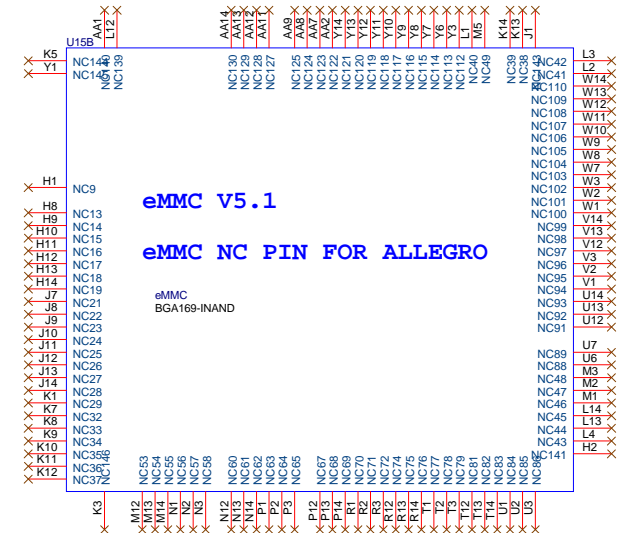
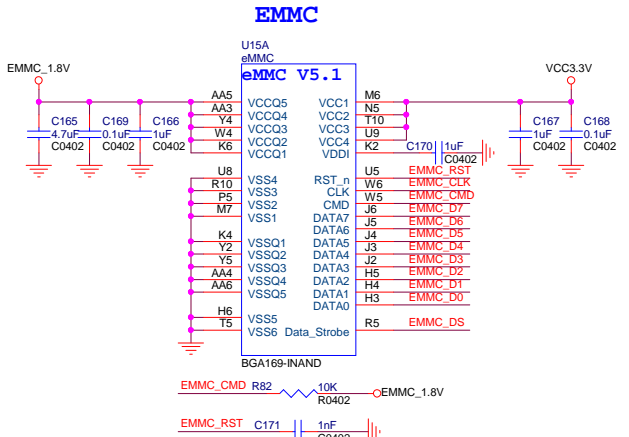
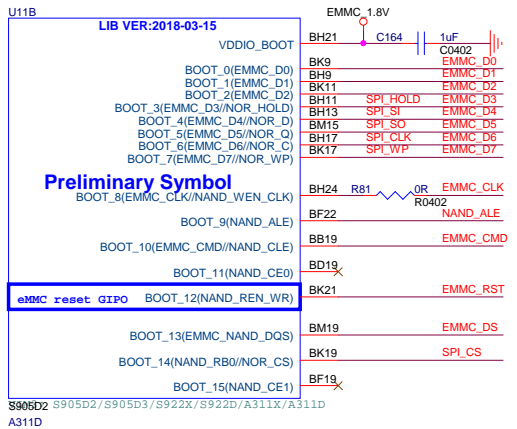
Shenzhen Wesion Technology Co., Ltd.			
Project:	VIM3		
File:	CPU & IR & MCU & KEY's		
Date:	Thursday, October 20, 2022	Rev:	V14
Designed_by:	Gouwu	Sheet:	3



Preliminary Symbol

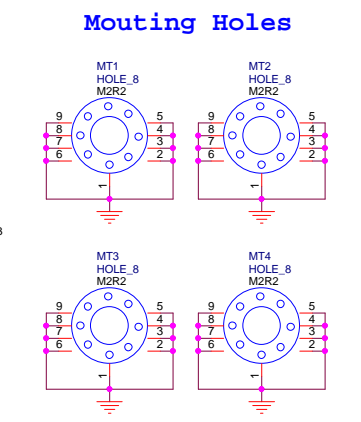
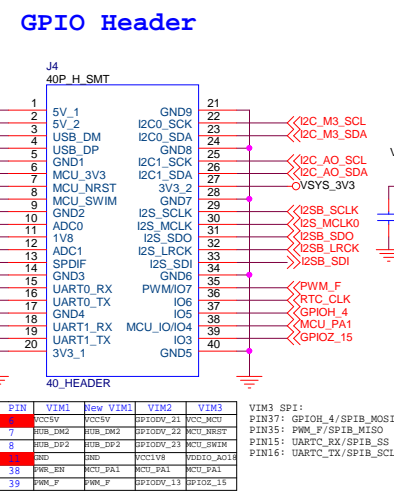
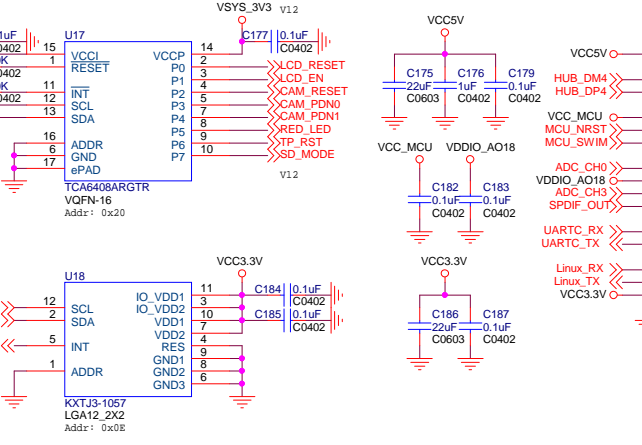
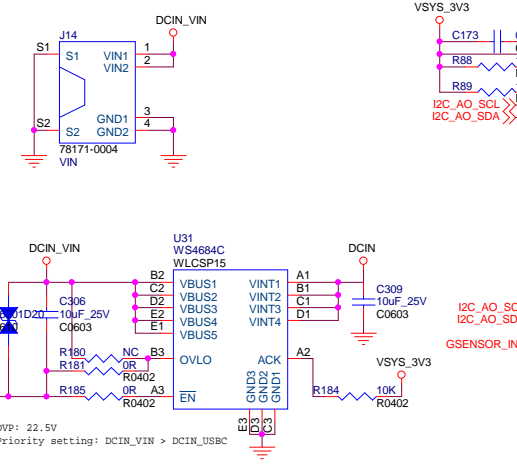
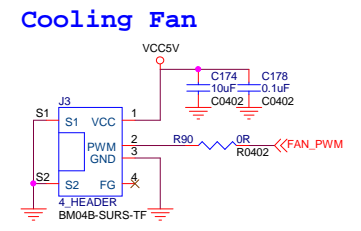
S905D2 S905D2/S905D3/S922X/S922B/A311X/A311D

Shenzhen Wesion Technology Co., Ltd.			
Project:	VIM3		
File:	LPDDR4/4X		
Date:	Thursday, October 20, 2022	Rev:	V14
Designed_by:	Gouwu	Sheet:	4



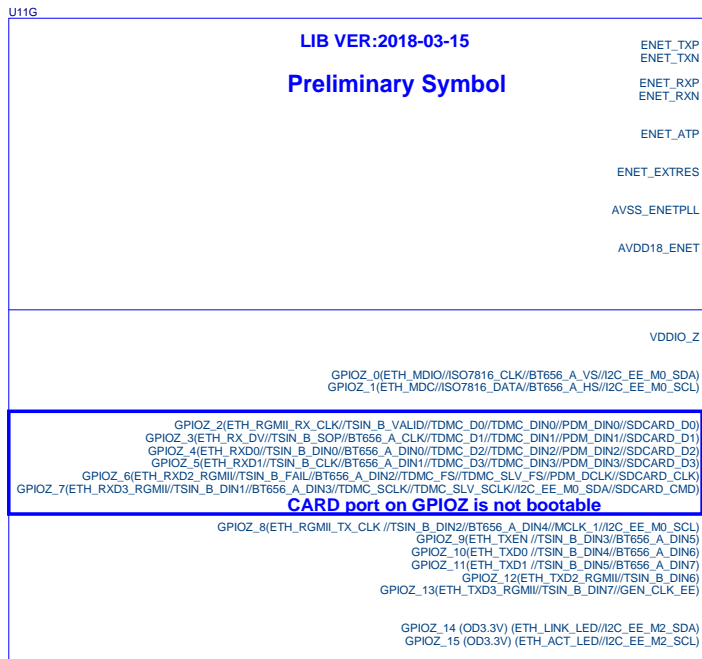
Bootings Sequence Diagram

EMMC_EN	SPINOR_EN	1st Boot	2nd Boot	3rd Boot	4th Boot
0	0	eMMC	SD Card	USB	-
1	1	SPI Flash	eMMC	SD Card	USB
0	0	USB	eMMC	SD Card	-
1	1	USB	SPI Flash	eMMC	SD Card

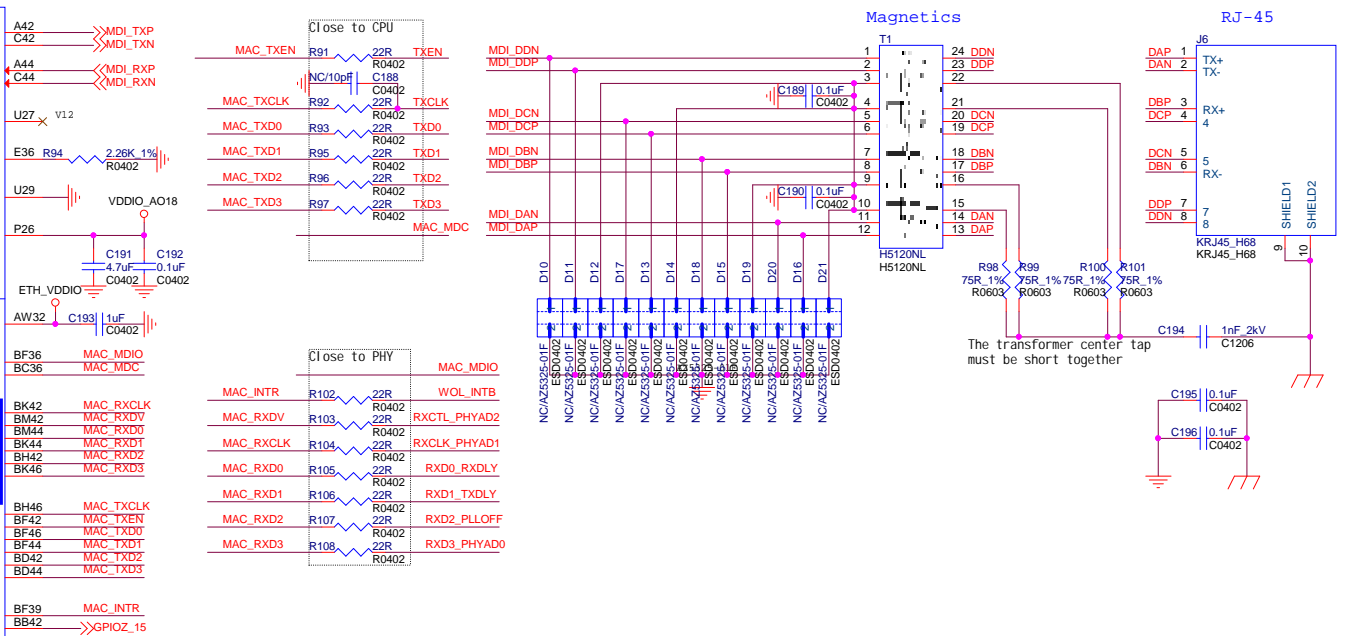
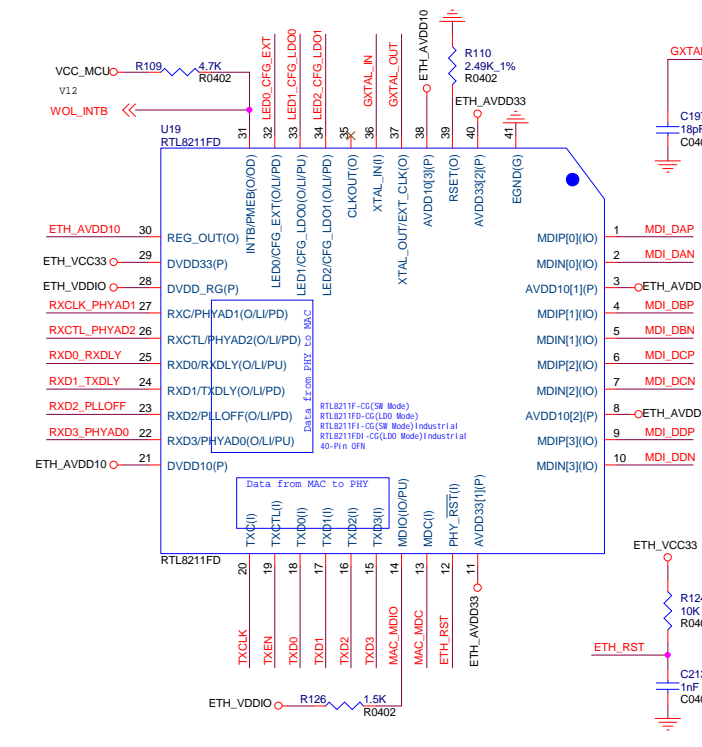


Shenzhen Wersion Technology Co., Ltd.			
Project:	VIM3		
File:	EMMC & GPIOs & Fan		
Date:	Thursday, October 20, 2022	Rev:	V14
Designed_by:	Gouwu	Sheet:	5

Tips: Float PIN6 & 11 to develop all VIMs compatible expand board. Check the Tone Board for reference.



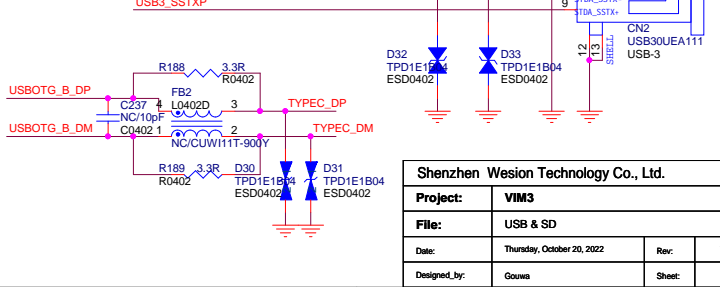
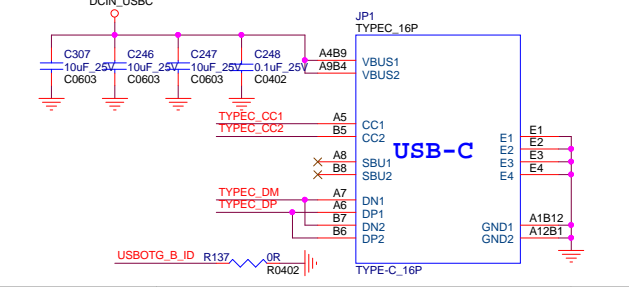
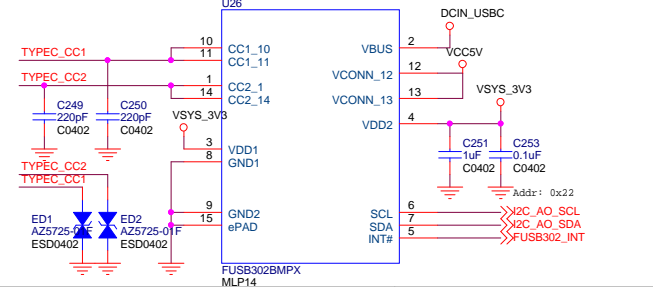
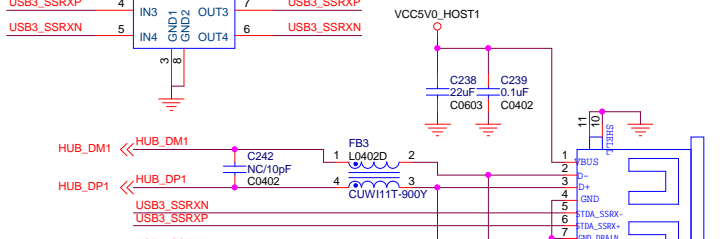
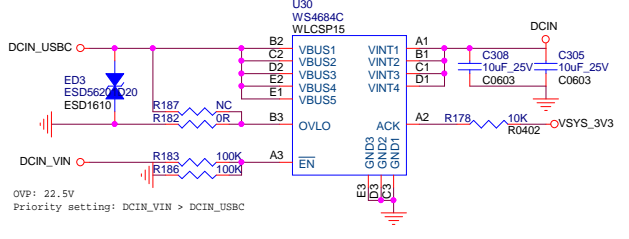
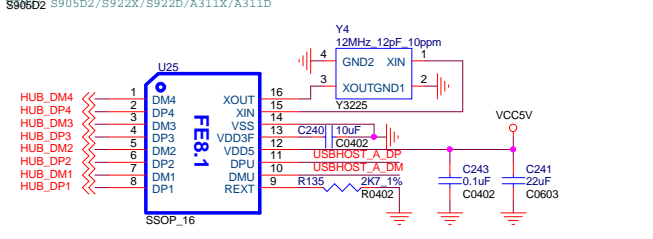
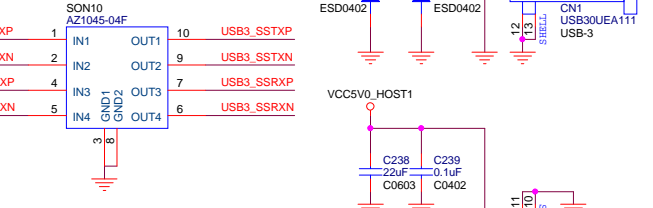
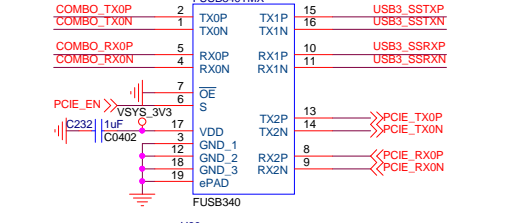
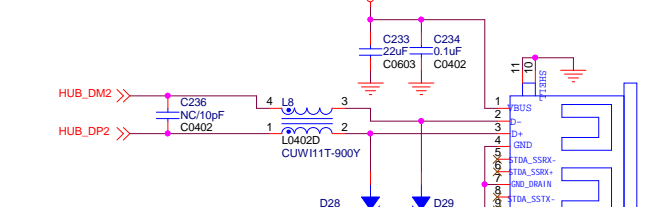
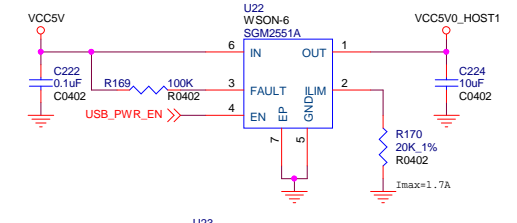
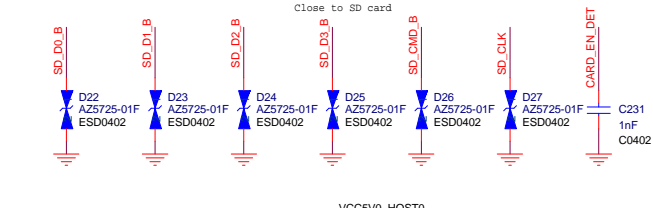
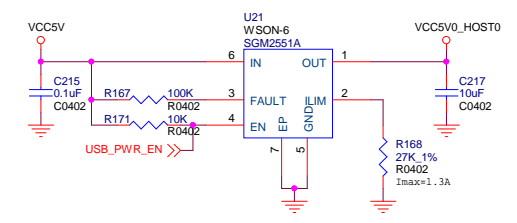
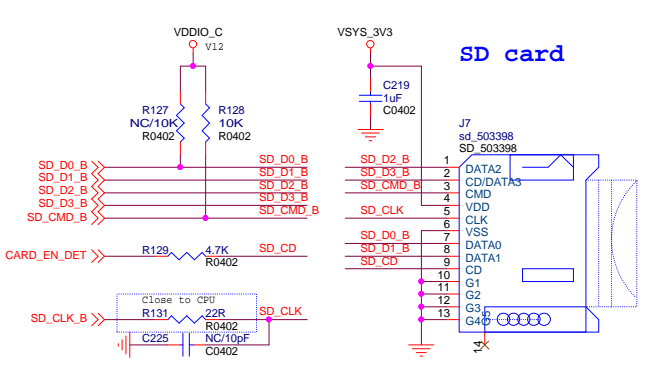
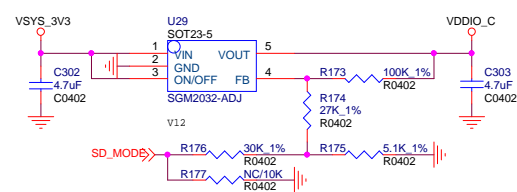
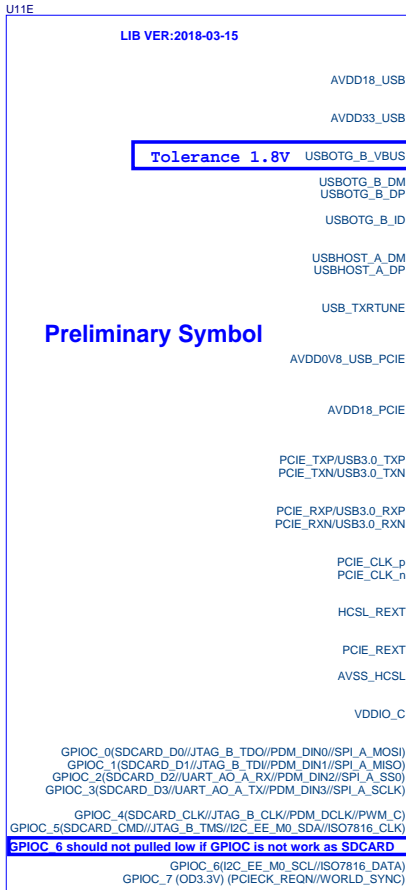
S906D2 S905D2/S905D3/S922X/S922D/A311X/A311D
 A311D



Shenzhen Wesion Technology Co., Ltd.

Project:	VIM3		
File:	Ethernet		
Date:	Thursday, October 20, 2022	Rev:	V14
Designed_by:	Gouwu	Sheet:	6

POWER	D1	D0	DFF	WOL
EN	1	1	1	VCC3_3V
DFF	1	1	1	VCC_MCU Enable
DFF	1	1	1	WOL Disable



Shenzhen Weson Technology Co., Ltd.			
Project:	VIM3		
File:	USB & SD		
Date:	Thursday, October 20, 2022	Rev:	V14
Designed_by:	Gowen	Sheet:	7

U11D

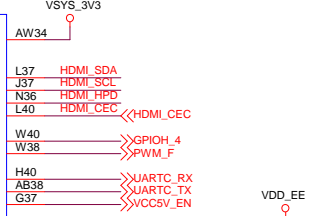
LIB VER:2018-03-15

VDDIO_H

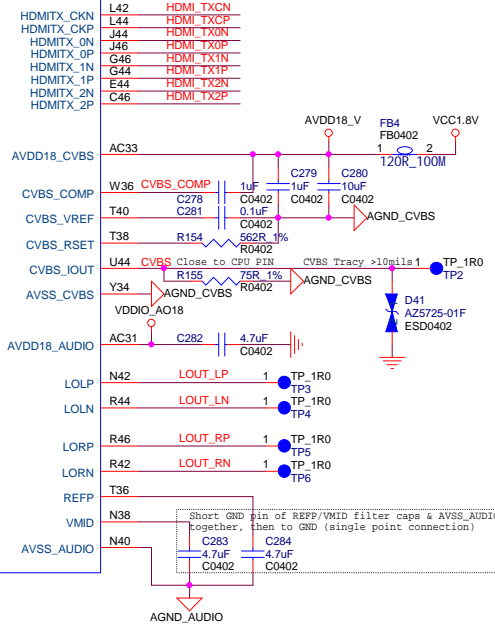
GPIOH_0 (OD5V) (HDMITX_SDA/I2C_EE_M3_SDA)
 GPIOH_1 (OD5V) (HDMITX_SCL/I2C_EE_M3_SCL)
 GPIOH_2 (OD5V) (HDMITX_HPD_IN/I2C_EE_M1_SDA)
 GPIOH_3 (OD5V) (I2C_EE_M1_SCL/AO_CEC_A/AO_CEC_B)

GPIOH_4 (SPDIF_OUT/UART_EE_C_RTS/SPI_B_MOSI)
 GPIOH_5 (SPDIF_IN/UART_EE_C_CTS/SPI_B_MISO/PWM_FI/TDMB_D3/TDMB_DINS)

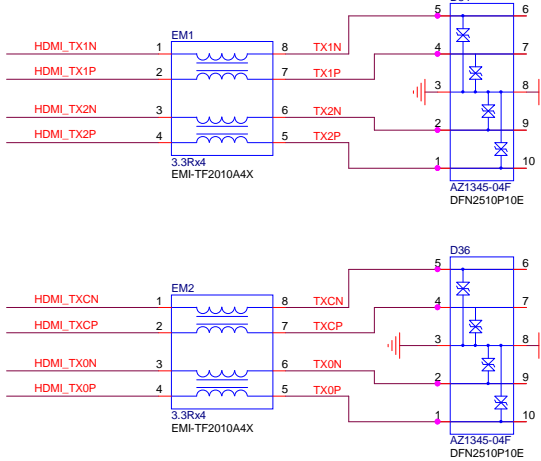
GPIOH_6 (ISO7816_CLK/UART_EE_C_RX/SPI_B_SS0/I2C_EE_M1_SDA)
 GPIOH_7 (ISO7816_DATA/UART_EE_C_TX/SPI_B_SCLK/I2C_EE_M1_SCL)
 GPIOH_8 (OD5V)



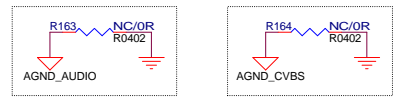
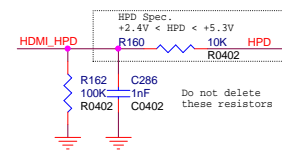
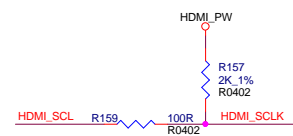
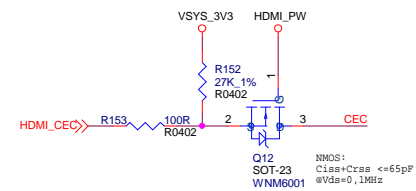
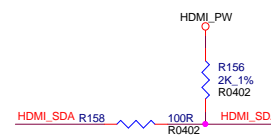
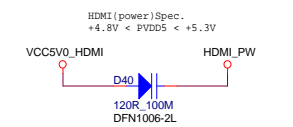
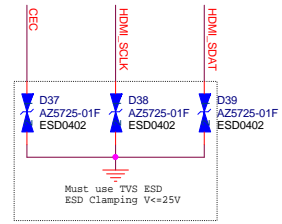
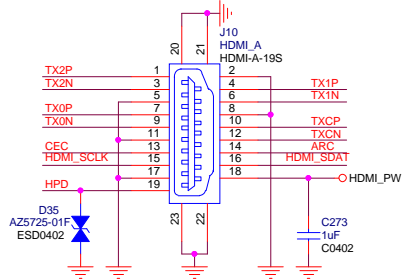
Preliminary Symbol



HDMI output

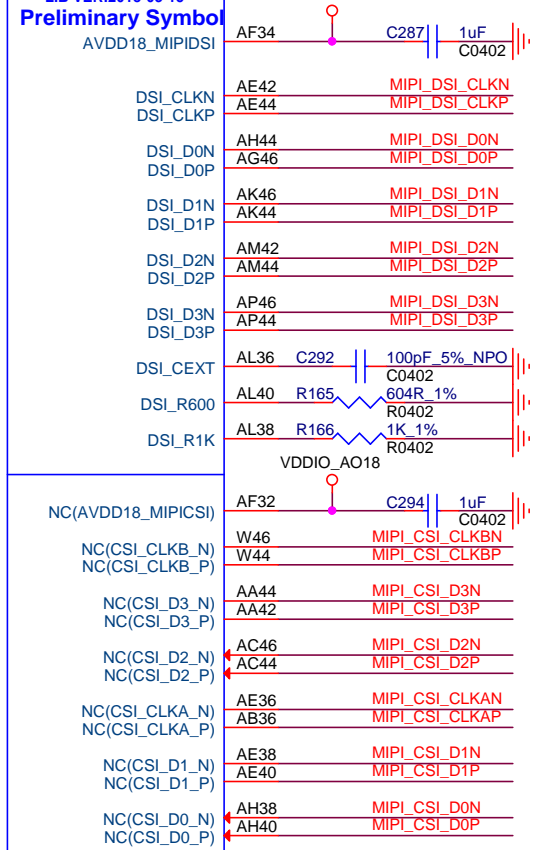


Type A

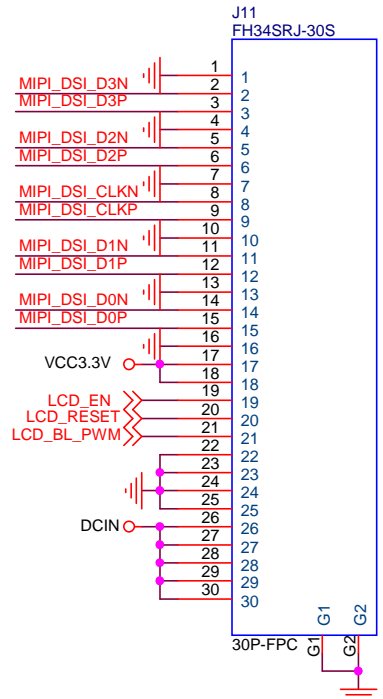
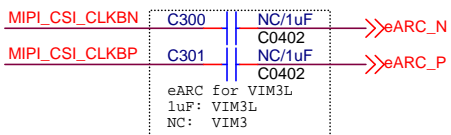


Shenzhen Wesion Technology Co., Ltd.			
Project:	VIM3		
File:	HDMI & CVBS		
Date:	Thursday, October 20, 2022	Rev:	V14
Designed_by:	Gouwu	Sheet:	9

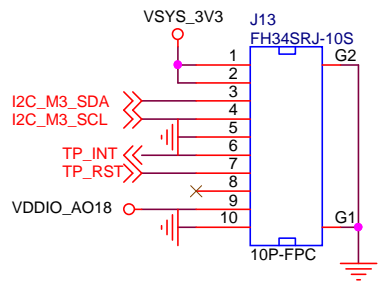
U11H
LIB VER:2018-03-15
Preliminary Symbol



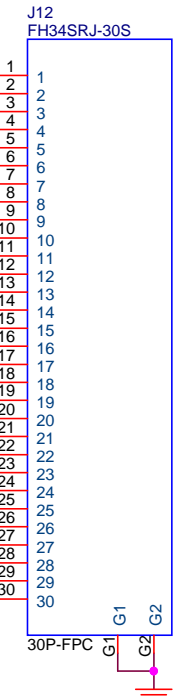
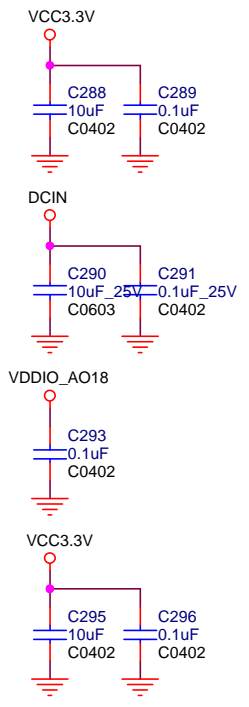
S905D2 S905D2/S905D3
S922X/S922D/
A311X/A311D



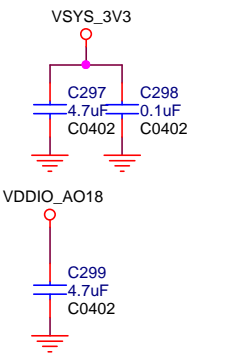
MIPI-DSI



TP



Camera0



Shenzhen Wesion Technology Co., Ltd.			
Project:	VIM3		
File:	MIPI		
Date:	Thursday, October 20, 2022	Rev:	V14
Designed_by:	Gouwa	Sheet:	10