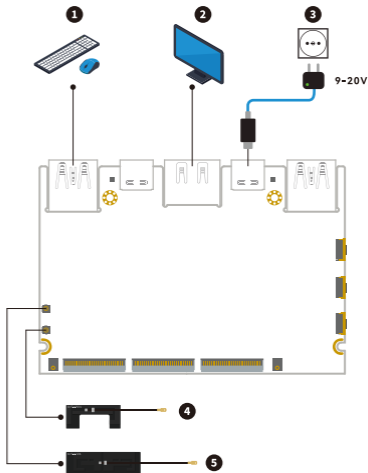


KHADAS

Edge2 Quickstart Guide

Setup



OOWOW Introduction

- Edge2 comes with the OOWOW embedded service.
- Use OOWOW to install your preferred OS directly from the Cloud.
- OOWOW will start automatically if the device storage is empty.
- Control Edge2 with a display and keyboard, or remotely over WiFi.
- With OOWOW you will always be in control of your Edge2.

Activate OOWOW: hold **Function** and press **Reset**

Activate Hotspot: press **Function** after OOWOW starts

Network Name: edge2-xxxxx (last 5 digits of serial no.)

Further information: <https://docs.khadas.com/oowow>

Website Introduction

- For more documentation and technical information, you can visit docs.khadas.com.
- If you encounter technical issues during development, seek help at forum.khadas.com.
- To purchase additional accessories, please visit shop.khadas.com.

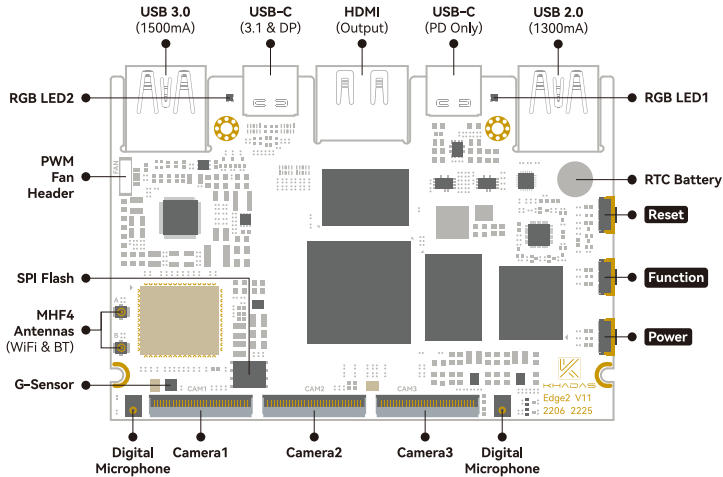
Data Download Instruction

- Schematics: dl.khadas.com/products/edge2/schematic/
- Datasheets: dl.khadas.com/products/edge2/datasheet/
- Specification: dl.khadas.com/products/edge2/specs/
- 2D DXF: dl.khadas.com/products/edge2/dxf/
- 3D CAD: dl.khadas.com/products/edge2/cad/

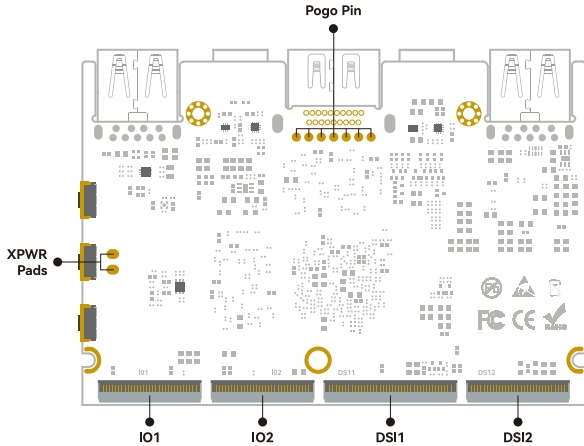
After-Sales Service

Please email support@khadas.com if you have any after-sales related questions.

Interfaces



Interfaces





To get started, visit
docs.khadas.com/edge2