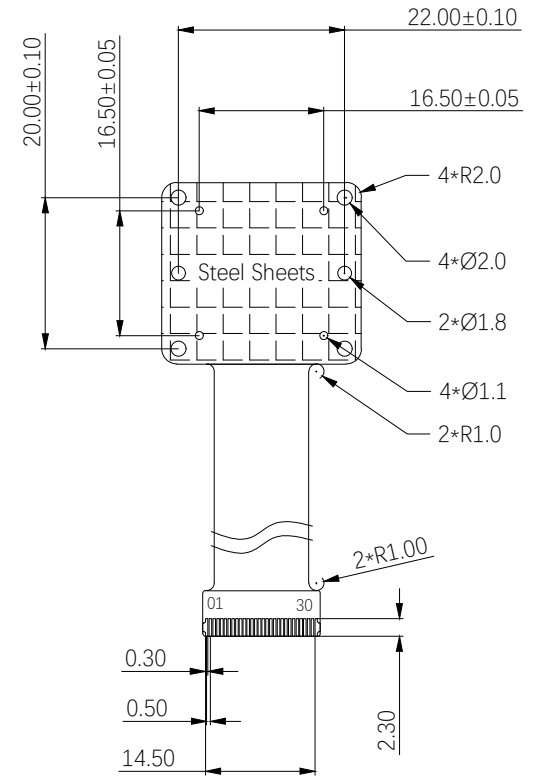
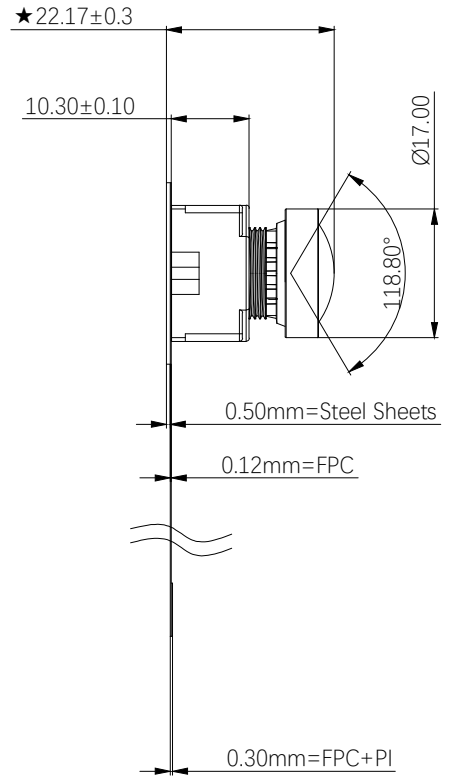
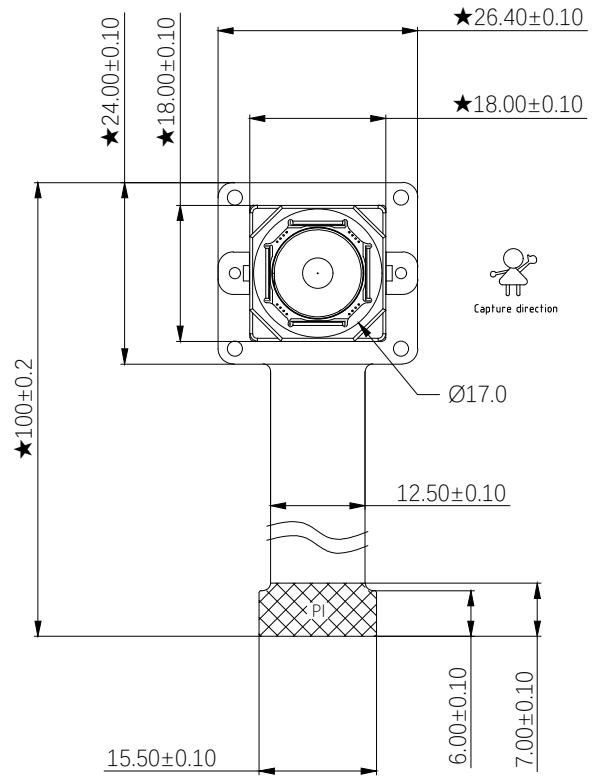


N0.	SYMBOL
1	GND
2	D3N
3	D3P
4	GND
5	D2N
6	D2P
7	GND
8	NC
9	NC
10	GND
11	D1N
12	D1P
13	GND
14	D0N
15	D0P
16	GND
17	CLKN
18	CLKP
19	PDN1
20	MCLK
21	RST
22	SCL
23	SDA
24	AF
25	1.8V
26	GND
27	GND
28	VDD
29	VCC_3V3_S0
30	VCC_3V3_S0



Lens Size	1/2.8INCH	Chip Type	IMX415	GENERAL TOLERANCE		DESIGN	SIGN	DATE	FINISH	N/A		MATERIAL
EFL	2.02mm	Array Size	3864*2192	X.±0.30	X.°±2.0					REVISION	SCALE	
F.NO	2.4	DVDD	1.1V	.X±0.20	.X°±2.0	APPROVAL			N/A	V10	1:1	PART NAME
View Angle	D: 118.8° H: 109.9° V: 74.6°	DOVDD	1.8V	.XX±0.15	.XX°±0.5	THIRD ANGLE		PAGE 1 OF 1	UNIT	mm		IMX415 V12
Disforfion	<-3.6%	AVDD	2.9V									

