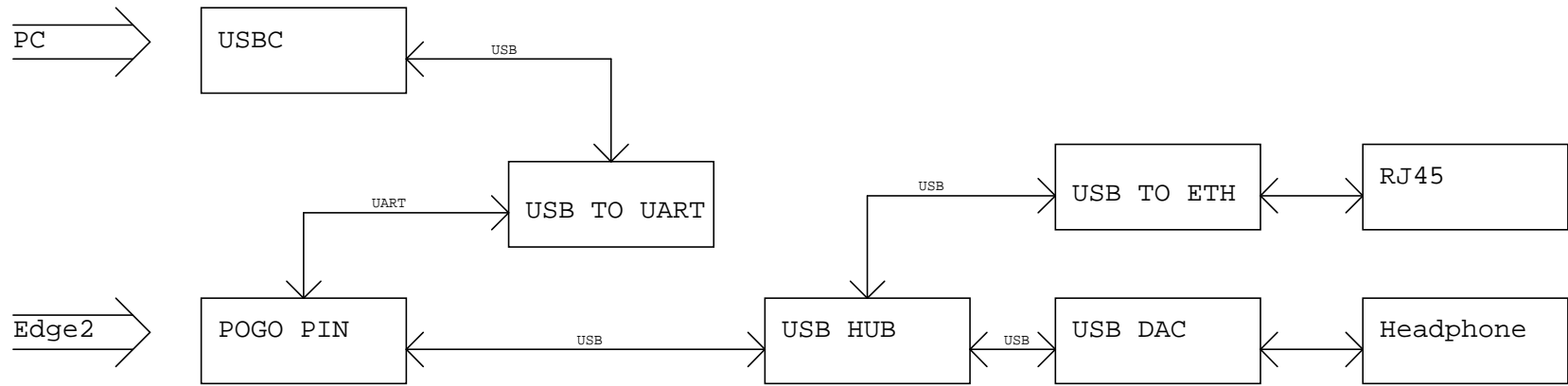




KHADASS

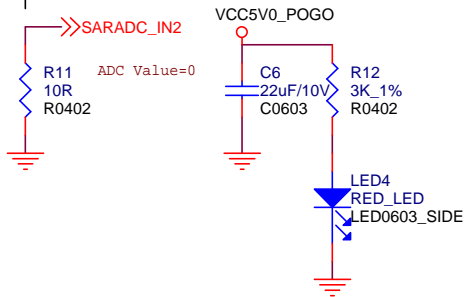
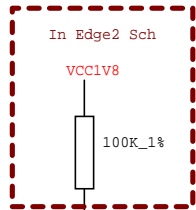
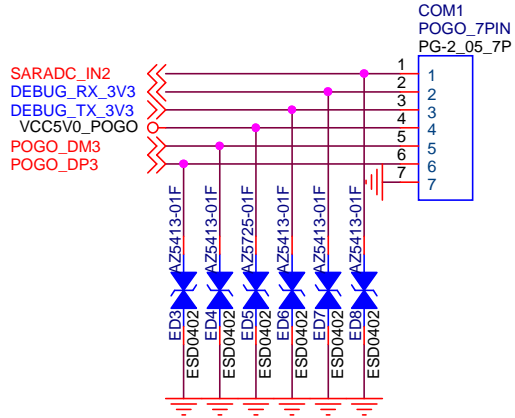
Something a little different.

Shenzhen Wesion Technology Co., Ltd.			
Project:	Edge2_Station		
File:	Khadass		
Date:	Thursday, December 15, 2022	Rev:	V12
Designed_by:	Totti	Sheet:	1

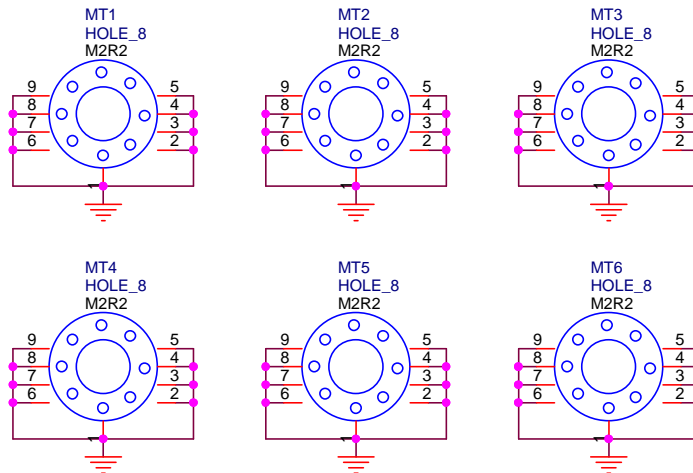
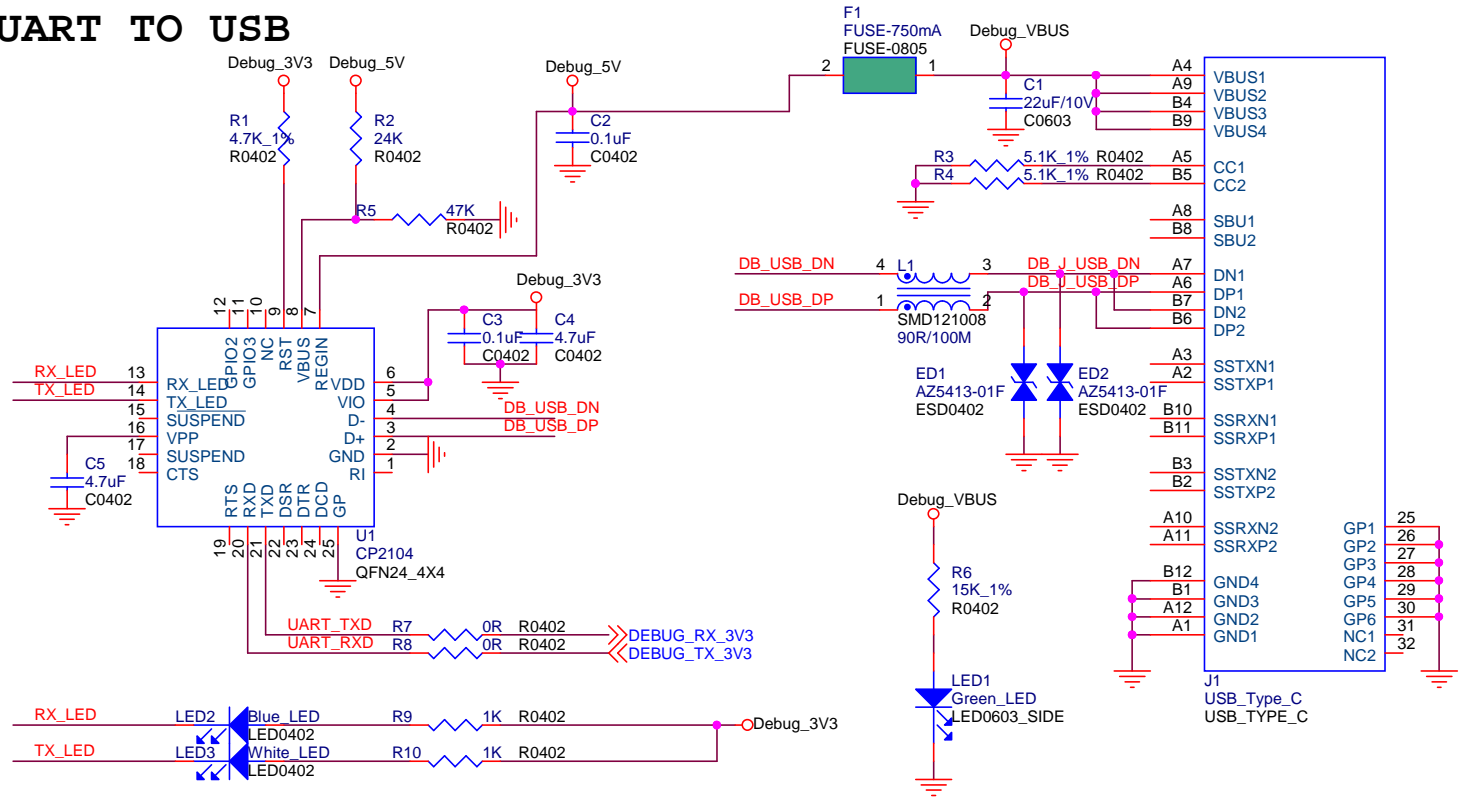


Shenzhen Wesion Technology Co., Ltd.			
Project:	Edge2_Station		
File:	Block		
Date:	Friday, January 06, 2023	Rev:	V12
Designed_by:	Totti	Sheet:	2

POGO PIN

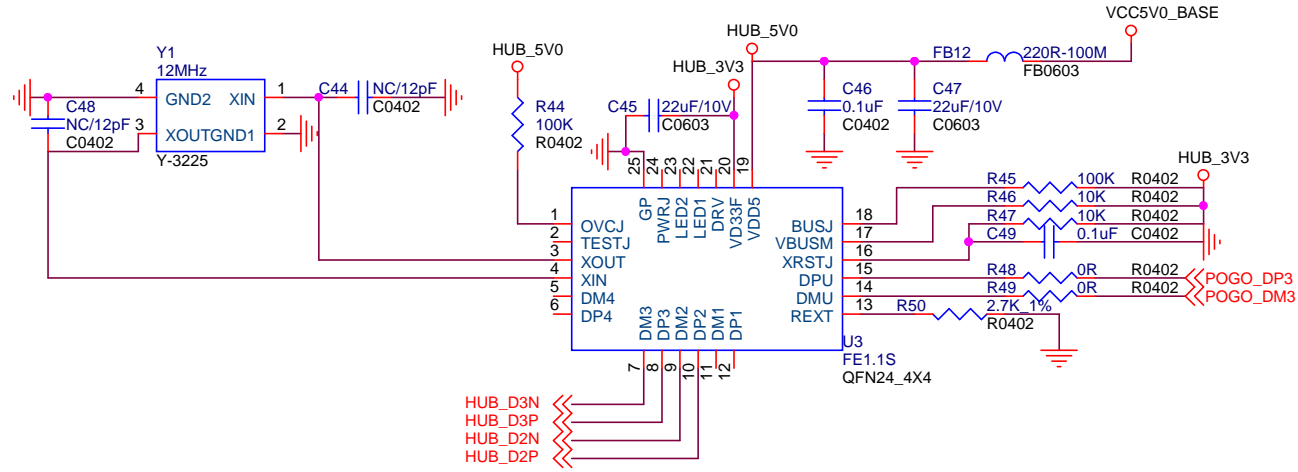


UART TO USB

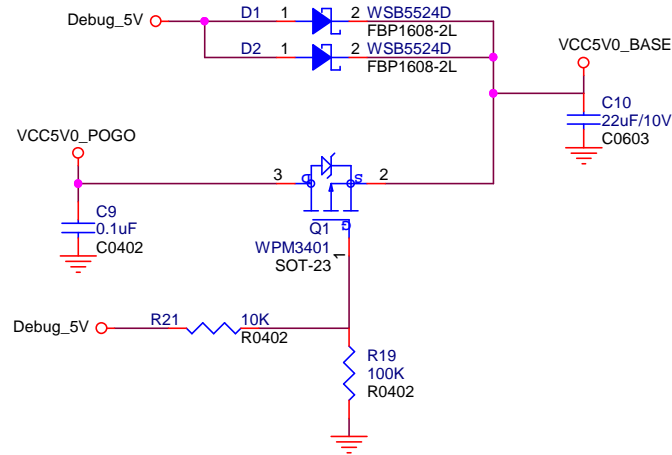


Shenzhen Wesion Technology Co., Ltd.			
Project:	Edge2_Station		
File:	EXT IO From Edge2		
Date:	Thursday, December 15, 2022	Rev:	V12
Designed_by:	Totti	Sheet:	3

USB HUB

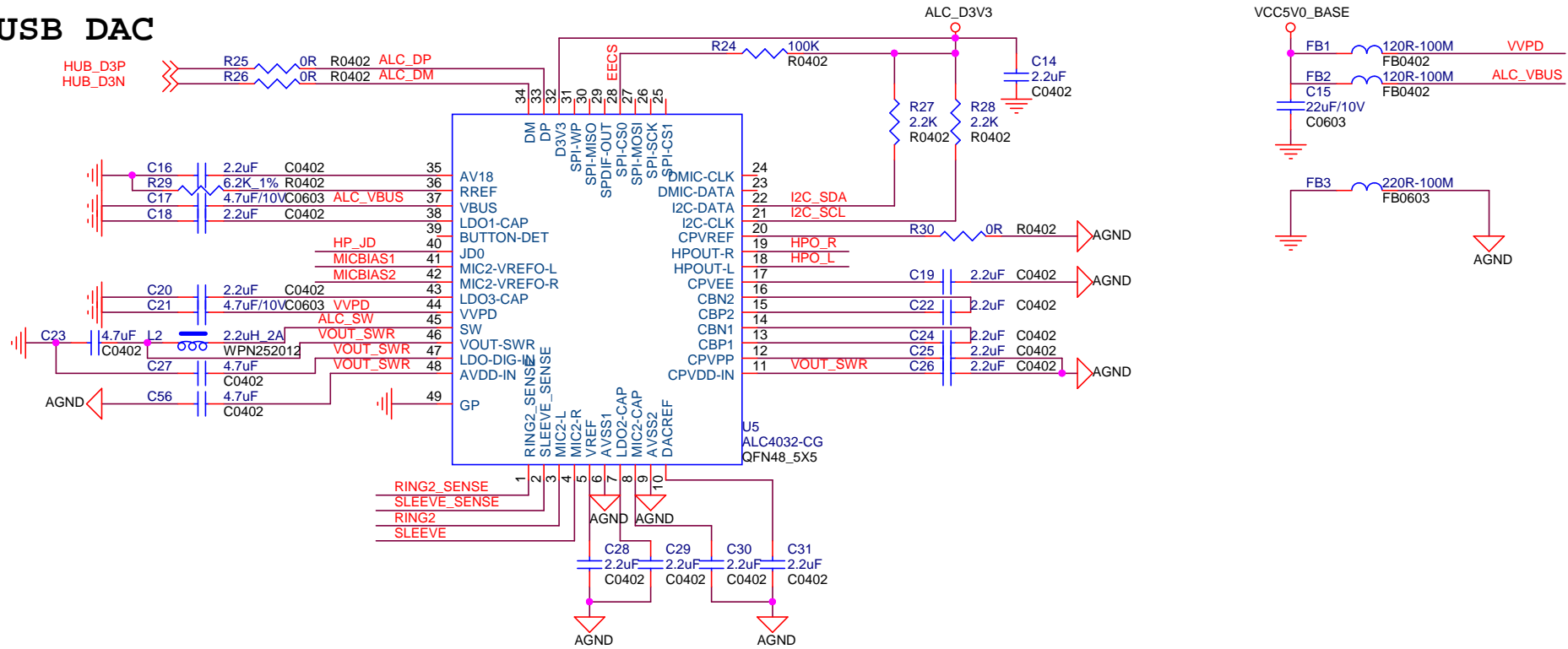


PWR PATH

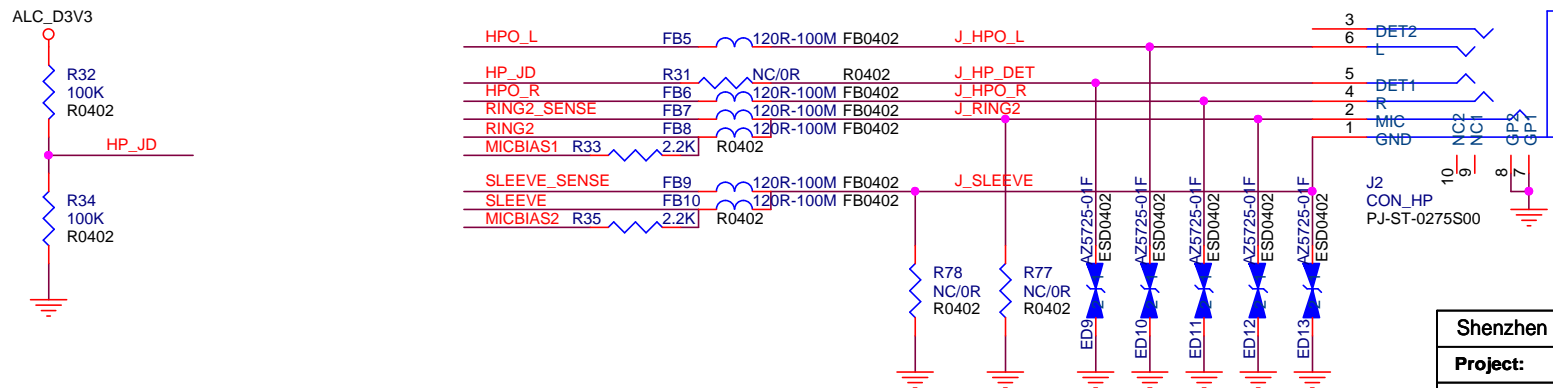


Shenzhen Wesion Technology Co., Ltd.			
Project:	Edge2_Station		
File:	USB HUB/PWR PATH		
Date:	Thursday, December 15, 2022	Rev:	V12
Designed_by:	Totti	Sheet:	4

USB DAC

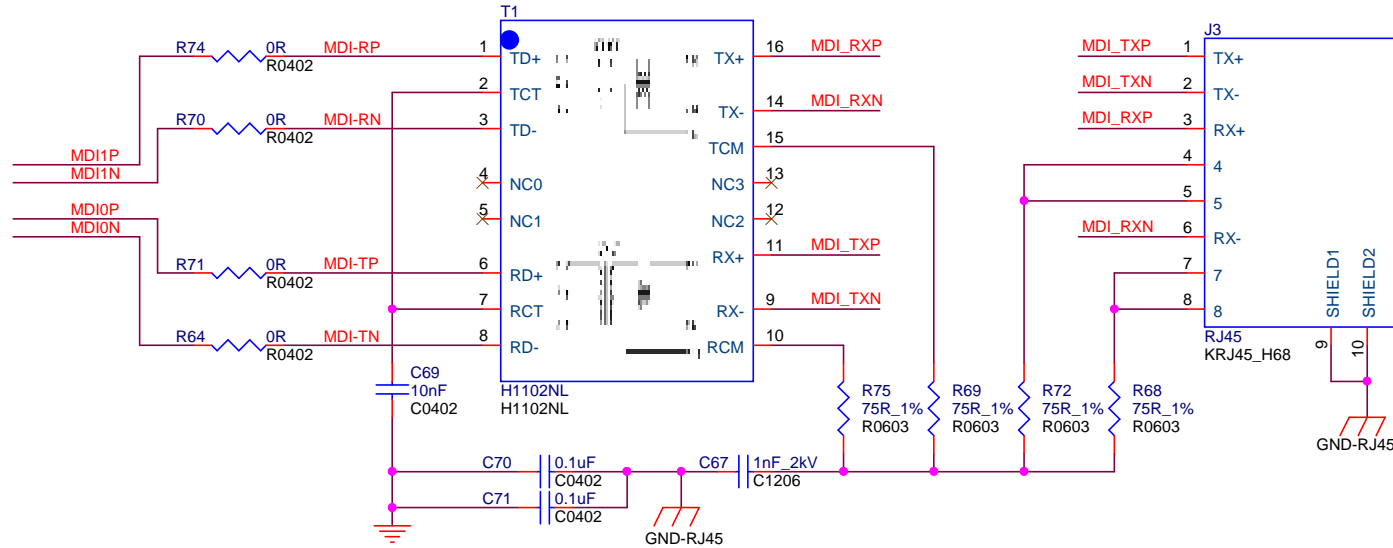


Headphone

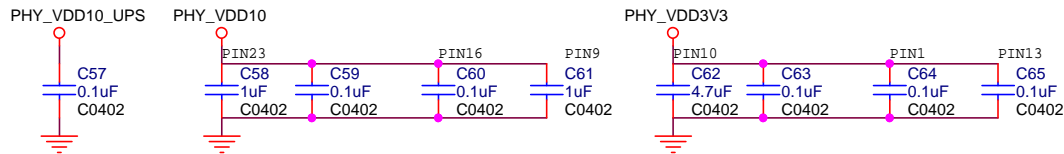
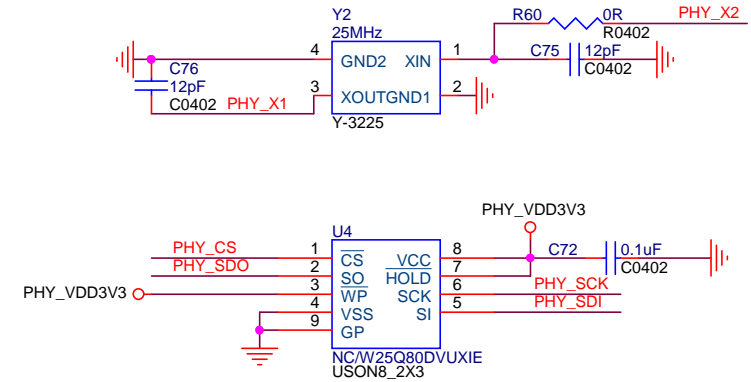
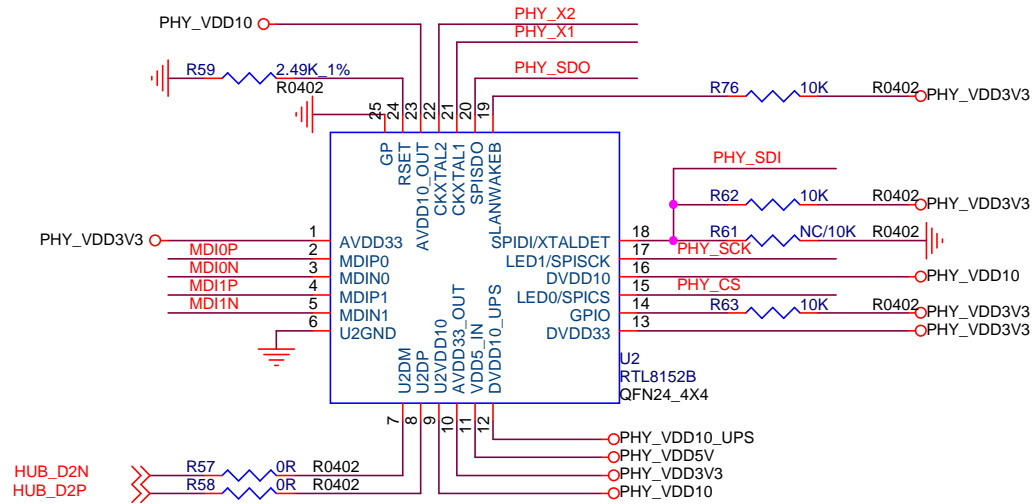


Shenzhen Wesion Technology Co., Ltd.			
Project:	Edge2_Station		
File:	USB Audio		
Date:	Wednesday, December 28, 2022	Rev:	V12
Designed_by:	Totti	Sheet:	5

LAN RJ45



PHY



Shenzhen Wesion Technology Co., Ltd.			
Project:	Edge2_Station		
File:	USB TO ETH		
Date:	Wednesday, December 28, 2022	Rev:	V12
Designed_by:	Totti	Sheet:	6