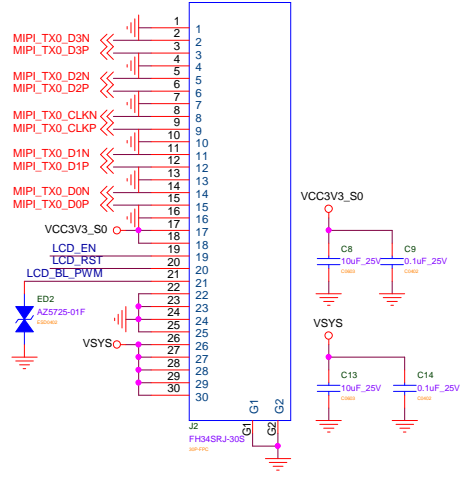
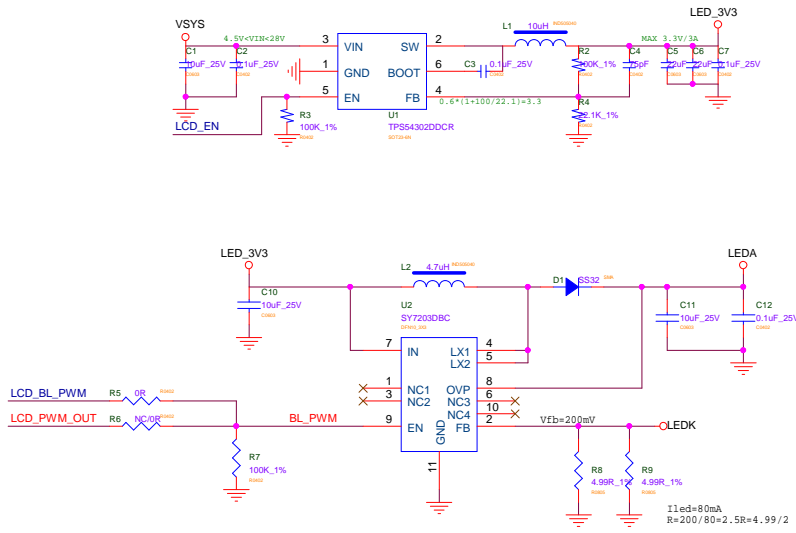


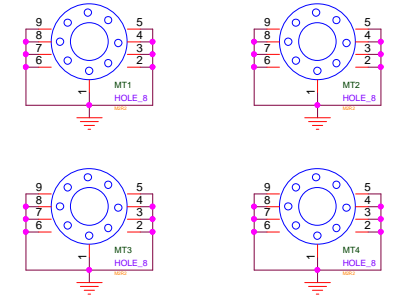
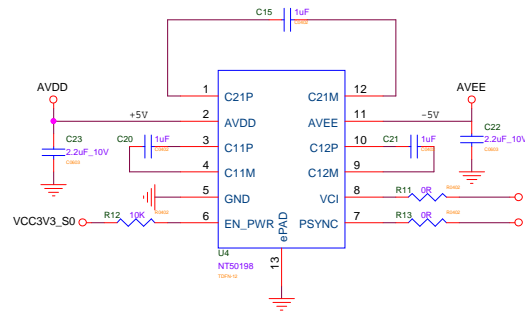
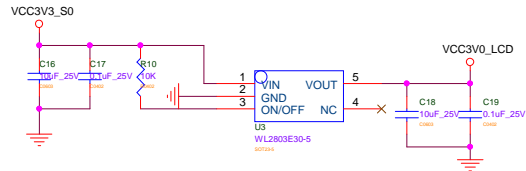
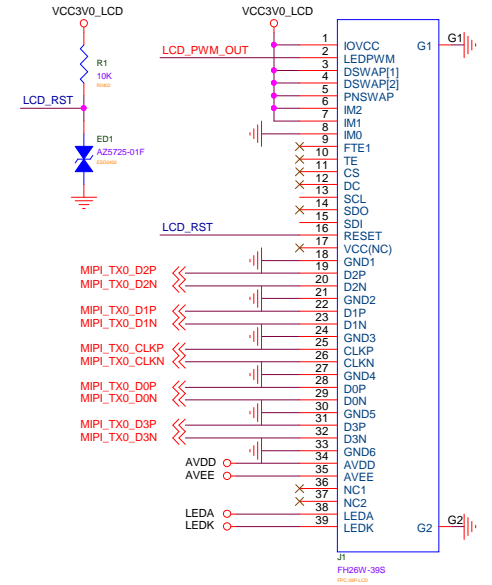
FROM Edge/Captain/VIM3



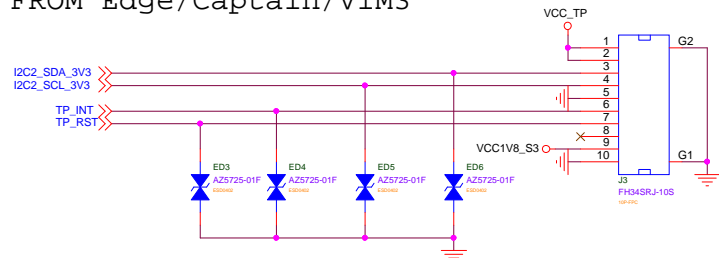
Backlight



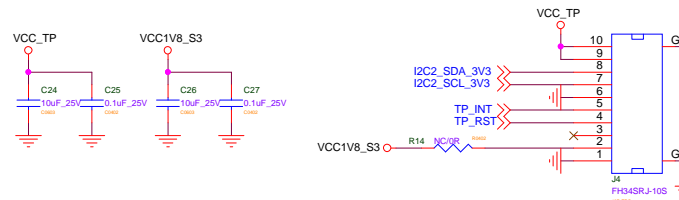
TO LCD



FROM Edge/Captain/VIM3



TO TP



Shenzhen Wesion Technology Co., Ltd.			
Project:	TS050		
File:	TS050_V13		
Date:	Wednesday, August 28, 2019	Rev:	V13
Designed by:	Toli	Sheet:	1 of 1