



# ES9038Q2M

## 32-Bit Stereo Mobile Audio DAC

### Datasheet

The **ES9038Q2M SABRE<sup>32</sup> Reference DAC** is a very high-performance, 32-bit, stereo audio D/A converter designed for: audiophile-grade portable applications such as mobile phones, digital music players, Blu-ray players, audio pre-amplifiers and A/V receivers, and professional applications such as recording systems, mixer consoles and digital audio workstations.

Using the critically acclaimed ESS patented 32-bit HyperStream® II DAC architecture and Time Domain Jitter Eliminator, the **ES9038Q2M** delivers a DNR of up to 129dB and THD+N of -120dB, a performance level that will satisfy the most demanding audio enthusiasts.

The **ES9038Q2M** handles up to 32-bit 768kHz PCM, DSD256 via DoP and native DSD512 data in master or slave timing modes. Custom sound signature is supported via a fully programmable FIR filter with 7 presets. Residual distortion from suboptimal PCB components and layout can be minimized using **ES9038Q2M's** unique THD compensation circuit, while chip-to-chip gain variation is minimized via a built-in auto gain calibration circuit.

The **ES9038Q2M SABRE<sup>32</sup> Reference DAC** sets the standard, **SABRE SOUND™**, for HD audio performance, typically consumes 40mW in normal operation mode (1.3mW in standby mode), and comes in an easy-to-use 30-QFN (3mm x 5mm) package.

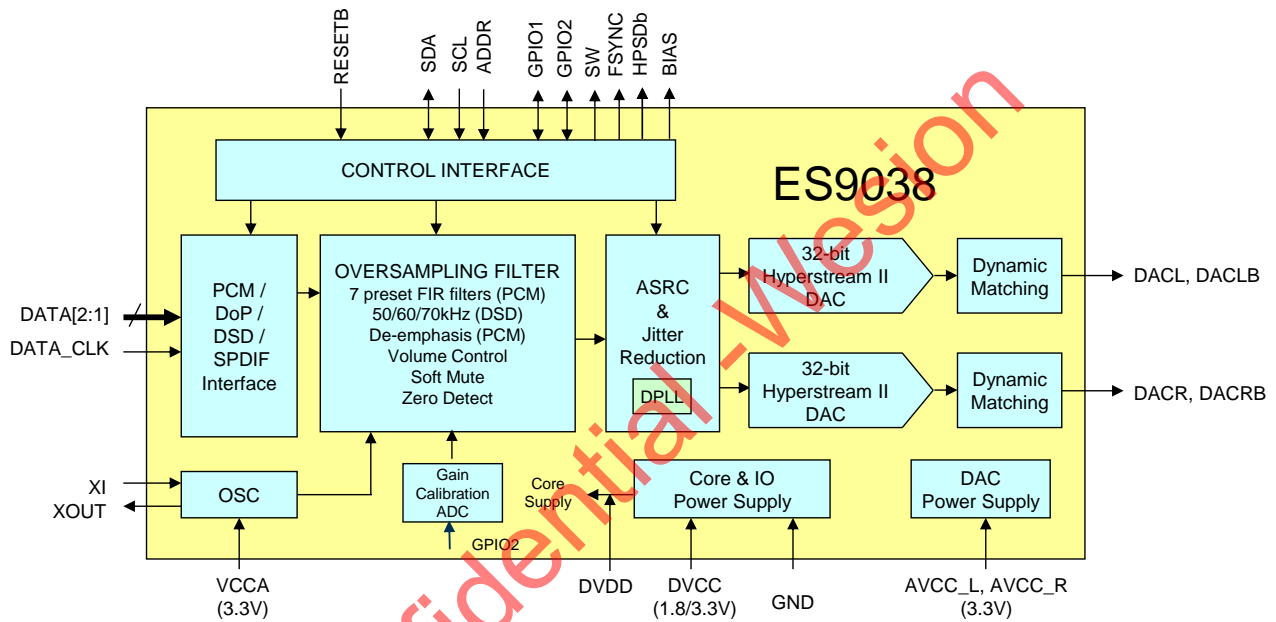
FEATURE	DESCRIPTION
Patented 32-bit HyperStream® II DAC <ul style="list-style-type: none"> <li>+129dB DNR</li> <li>-120dB THD+N</li> </ul>	<ul style="list-style-type: none"> <li>Industry's highest performance 32-bit mobile audio DAC with unprecedented dynamic range and ultra-low distortion</li> <li>Supports both synchronous and ASRC (asynchronous sample rate converter) modes</li> </ul>
Patented Time Domain Jitter Eliminator	<ul style="list-style-type: none"> <li>Unmatched audio clarity free from input clock jitter</li> </ul>
64-bit accumulator & 32-bit processing	<ul style="list-style-type: none"> <li>Distortion free signal processing</li> </ul>
Integrated DSP Functions	<ul style="list-style-type: none"> <li>Click-free soft mute and volume control</li> <li>Programmable automute</li> <li>De-emphasis for 32kHz, 44.1kHz, and 48kHz sampling</li> </ul>
Customizable output configuration	<ul style="list-style-type: none"> <li>Stereo or Mono output in current or voltage mode based on performance criterion</li> </ul>
I <sup>2</sup> C control	<ul style="list-style-type: none"> <li>Allows software control of DAC features</li> </ul>
30-QFN package	<ul style="list-style-type: none"> <li>Minimizes PCB footprint</li> </ul>
40mW operating power consumption 1.3 mW standby power	<ul style="list-style-type: none"> <li>Maximizes battery life</li> </ul>
Versatile digital input	<ul style="list-style-type: none"> <li>Supports SPDIF, PCM (I<sup>2</sup>S, LJ 16-32-bit), DoP or DSD input</li> <li>Supports up to 768kHz PCM, DSD256 via DoP and native DSD1024</li> </ul>
Customizable filter characteristics	<ul style="list-style-type: none"> <li>7 presets or user programmable filters for custom sound signature</li> <li>Bypassable oversampling filter</li> </ul>
THD compensation	<ul style="list-style-type: none"> <li>Minimize distortion from external PCB components and layout</li> </ul>
Dedicated HPA Control	<ul style="list-style-type: none"> <li>Power down HPA (supports auto shutdown at zero input for lower power)</li> <li>Selects HPA auxiliary input</li> <li>Programmable HPA charge pump frequency</li> </ul>
Auto Gain Calibration	<ul style="list-style-type: none"> <li>Minimize chip-to-chip gain variation</li> </ul>
Clock Gearing	<ul style="list-style-type: none"> <li>Reduce operating frequency for lower sampling rate to reduce power consumption</li> </ul>



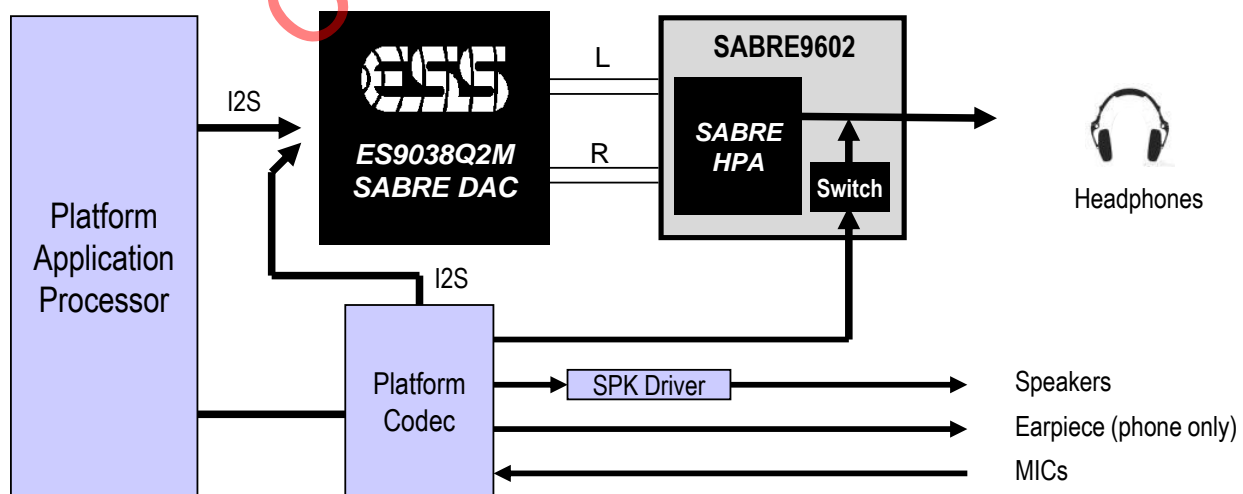
## APPLICATIONS

- Mobile phones / Tablets / Digital music players / Portable multimedia players
- Blu-ray / SACD / DVD-Audio player
- Audio preamplifiers and A/V receivers
- Professional audio recording systems / Mixing consoles / Digital audio workstations

## FUNCTIONAL BLOCK DIAGRAM



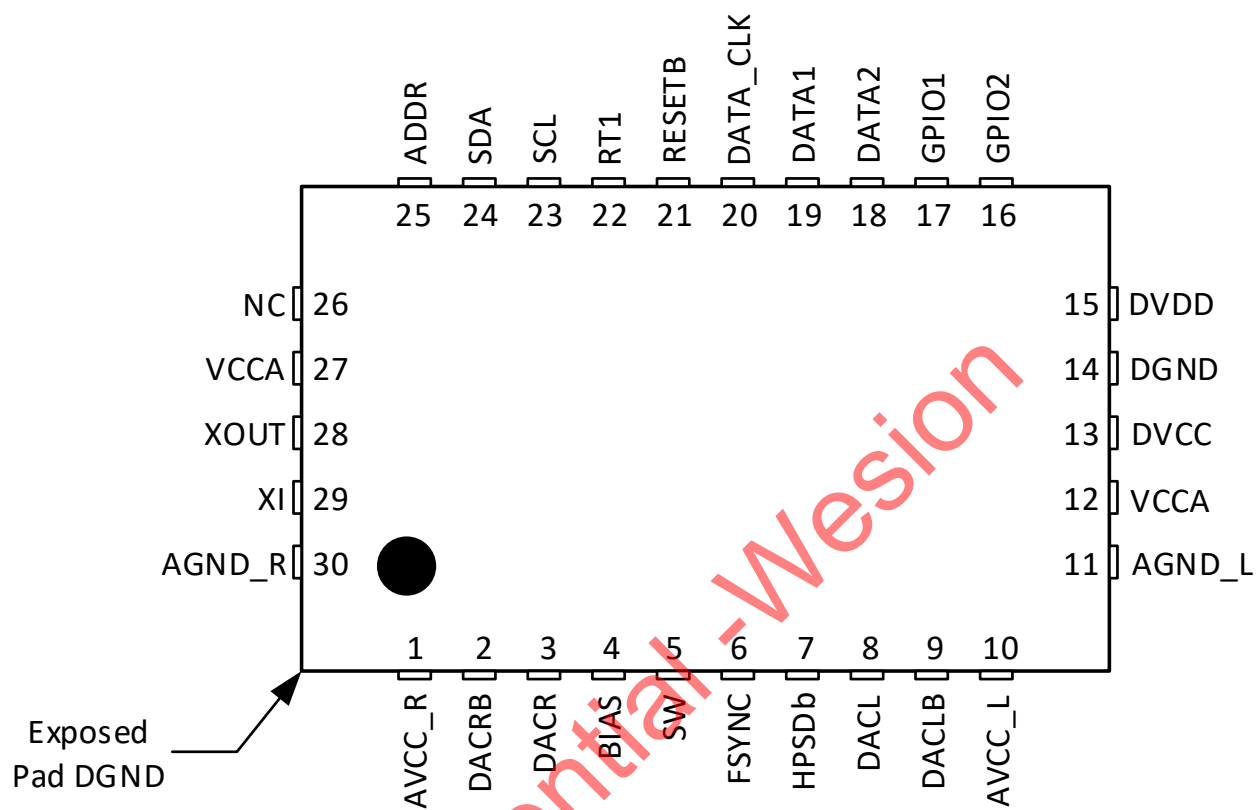
## TYPICAL MOBILE APPLICATION DIAGRAM



## ES9038Q2M Datasheet



## ES9038Q2M PIN LAYOUT





## ES9038Q2M PIN DESCRIPTIONS

Pin	Name	Pin Type	Reset State	Pin Description
1	AVCC_R	Power	Power	DAC analog output stage reference supply for the Right Channel
2	DACRB	AO	Ground	Differential Negative Output for the Right Channel
3	DACR	AO	Ground	Differential Positive Output for the Right Channel
4	BIAS	O	1'b0	General Output. Controlled by software. See <a href="#">Register 45: Low Power and Auto Calibration</a> for more information.
5	SW	I/O	GPIO2 / Tri-stated	General Output <ul style="list-style-type: none"> <li>Can be used with switch input of SABRE9602. See <a href="#">Register 39: General Configuration 2</a> for more information. In reset state, a 120k ohm resistor connects between SW and GPIO2.</li> </ul>
6	FSYNC	O	Tri-stated	General Output with output clock options. <ul style="list-style-type: none"> <li>Can be used with FSYNC of SABRE9602 to set its charge pump frequency. See <a href="#">Register 30-31: Charge Pump Clock</a> for more information</li> </ul>
7	HPSDb	O	1'b0	General Output. Can be used for Headphone Shutdown of SABRE9602 Grounded through 100k ohm resistor in reset state.
8	DACL	AO	Ground	Differential Positive Output for the Left Channel
9	DACLB	AO	Ground	Differential Negative Output for the Left Channel
10	AVCC_L	Power	Power	DAC analog output stage reference supply for the Left Channel
11	AGND_L	Ground	Ground	DAC analog output stage ground for the Left Channel
12	VCCA	Power	Power	Analog +3.3V for OSC
13	DVCC	Power	Power	Digital +1.8V to +3.3V
14	DGND	Ground	Ground	Digital Ground
15	DVDD	Power	Power	Digital Core Voltage, nominally +1.2V, supplied by an internal regulator from DVCC.
16	GPIO2	I/O	Tri-stated / SW	General purpose input/output pin 2, or SPDIF Input 5 <ul style="list-style-type: none"> <li>In reset state, a 120k ohm resistor connects between SW and GPIO2 allowing GPIO2 to switch input of SABRE9602. See <a href="#">Register 39: General Configuration 2</a> for more information.</li> </ul>
17	GPIO1	I/O	Tri-stated	General purpose input/output pin 1, or SPDIF Input 4.
18	DATA2	I	Tri-stated	DSD Data2 (R) or PCM Data CH1/CH2 or SPDIF Input 2
19	DATA1	I/O	Tri-stated	Master mode off or non-PCM mode <ul style="list-style-type: none"> <li>Input for DSD Data1 (L) or PCM Frame Clock or SPDIF Input 3</li> </ul> Master mode on and PCM mode <ul style="list-style-type: none"> <li>Output for PCM Frame Clock</li> </ul>
20	DATA_CLK	I/O	Tri-stated	Master mode off <ul style="list-style-type: none"> <li>Input for PCM Bit Clock or DSD Bit Clock or SPDIF Input 1</li> </ul> Master mode on <ul style="list-style-type: none"> <li>Output for PCM or DSD Bit Clock</li> </ul>
21	RESETB	I	Ground	Master Reset / Power Down (active low)
22	RT1	-	Tri-stated	Reserved, must be connected to DGND.
23	SCL	I	Tri-stated	I <sup>2</sup> C Clock Input
24	SDA	I/O	Tri-stated	I <sup>2</sup> C Serial Data Input/Output
25	ADDR	I	Tri-stated	I <sup>2</sup> C Address Select

## ES9038Q2M Datasheet



Pin	Name	Pin Type	Reset State	Pin Description
26	NC	-	-	No Internal Connection.
27	VCCA	Power	Power	Analog +3.3V for OSC
28	XOUT	AO	Floating	XTAL Output
29	XI	AI	Floating	XTAL Input
30	AGND_R	Ground	Ground	DAC analog output stage ground for the Right Channel
Exposed Pad	DGND	Ground	Ground	The exposed pad must be connected to DGND.

**Note:**

I/O = Input/Output

AO = Analog Output

AI = Analog Input

I = Digital Input

**5V Tolerant Pins (3.3V DVCC Supply Only)**

The following pins are 5V tolerant when DVCC = 3.3V only:

- RESETB
- SDA
- SCL
- GPIO1,2
- ADDR
- DATA1-2
- DATA\_CLK
- RT1

Confidential - Wesion



## System Clock and Audio Inputs

### Sampling Rate Notations

Mode	FSR raw sample rate at audio interface	fs sample rate for filter specification
DSD	DATA_CLK	FSR / 64
DoP	Frame Clock Rate	FSR / 4
Serial (PCM) Normal Mode	Frame Clock Rate	FSR
Serial (PCM) OSF Bypass Mode	Frame Clock Rate	FSR / 8
SPDIF	SPDIF Audio Rate	FSR

### System Clock (XI) and Audio Master Clock (MCLK)

The system clock (XI) can be generated with a crystal using the built-in oscillator or supplied externally.

- The maximum XI frequency is 100MHz as specified in [ANALOG PERFORMANCE](#) and [XI Timing](#).
- The audio master clock (MCLK) is divided down from XI via *clk\_gear* in [Register 0: System Registers](#).
- The minimum MCLK frequency for a given raw sample rate FSR is specified in [ANALOG PERFORMANCE](#).
- The minimum MCLK frequency for a given I2C clock is specified in the table under [I2C Timing Table](#).

### PCM Pin Connections

Pin Name	Description
DATA1	Frame clock
DATA2	2-channel PCM serial data
DATA_CLK	Bit clock for PCM audio format

Note: DATA\_CLK frequency must be  $(2 \times \text{serial\_length}) \times \text{FSR}$ .  
*serial\_length* can be set in [Register 1: Input selection](#).

### SPDIF Pin Connections

Pin Name	Description
GPIO2~1	SPDIF input 5~4
DATA2~1	SPDIF input 3~2
DATA_CLK	SPDIF input 1

An SPDIF source multiplexer allows for up to 5 SPDIF sources to be connected to the data and GPIO pins selectable via [Register 11: SPDIF Select](#). SPDIF input mode can be manually selected by *input\_select* in [Register 1: Input selection](#) or automatically selected if *auto\_select* in [Register 1: Input selection](#) is set to a mode allowing automatic SPDIF selection.

### DSD Pin Connections

Pin Name	Description
DATA2~1	2-channel DSD data input
DATA_CLK	Bit clock for DSD data input

Note: DATA\_CLK frequency must be FSR.

# ES9038Q2M Datasheet



## Master Mode

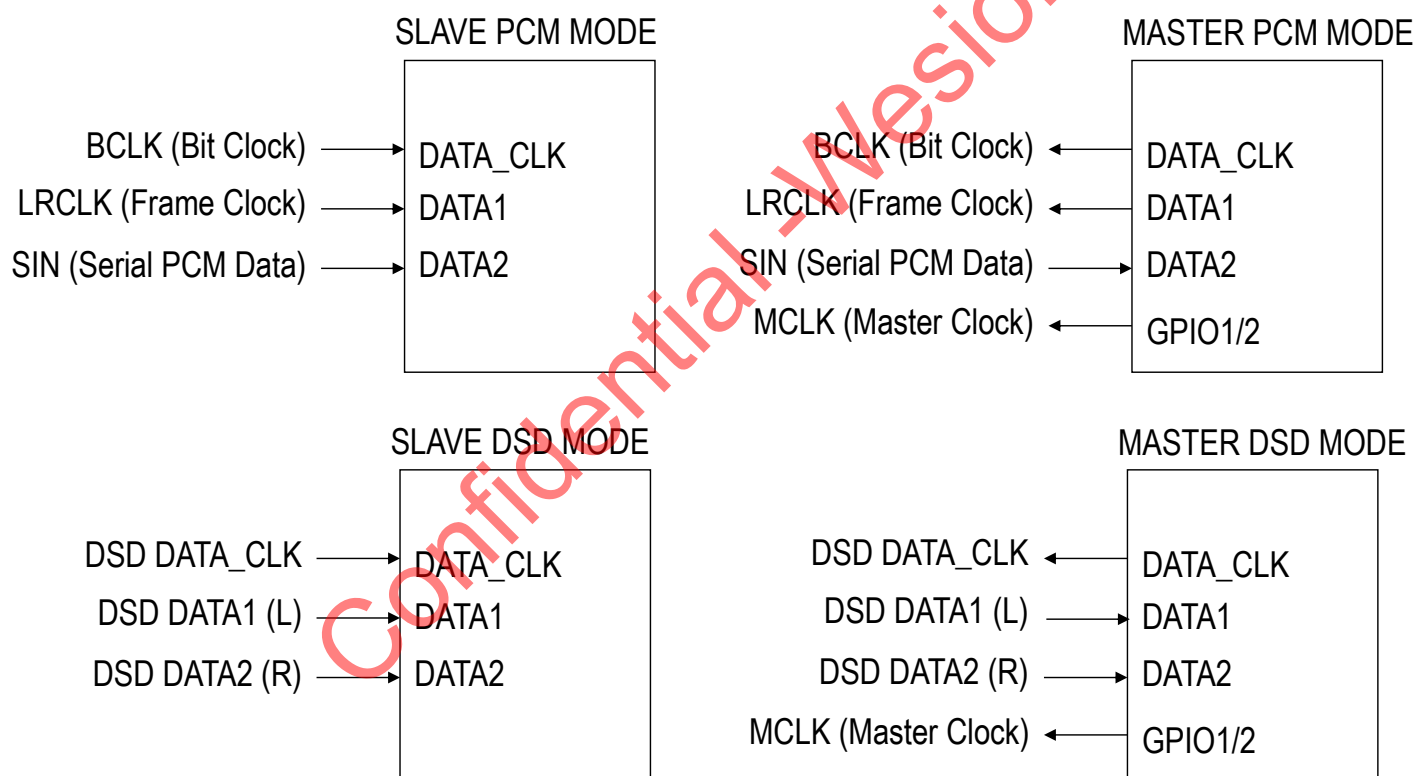
The DAC can become an audio timing master via *master\_mode* in [Register 10: Master Mode and Sync Configuration](#).

- The 'input\_select' bits in [Register 1: Input selection](#) must be set to explicitly select DSD or serial master mode. Autoselect will not produce the desired results in master mode.

The Bit Clock frequency can be configured using one of the following two methods:

- Set the desired *master\_div* in [Register 10: Master Mode and Sync Configuration](#), or
- Use NCO mode to set FSR using [Register 34-37: Programmable NCO](#). When in NCO mode the *master\_div* setting will be ignored.

An available GPIO pin can be configured to output MCLK using [Register 8: GPIO1-2 Configuration](#).





## Function Description

### Soft Mute (not applicable in OSF Bypass mode)

When Mute is asserted the output signal will ramp to the  $-\infty$  level. When Mute is reset the attenuation level will ramp back up to the previous level set by the volume control register. Asserting Mute will not change the value of the volume control register. The ramp rate is set by [Register 6: De-emphasis, DoP and Volume Ramp Rate](#) according to the following relationship:

$$\text{rate} = \frac{2^{\text{vol\_rate}} * \text{FSR}}{512} \text{ dB/s}$$

### Automute (PCM and SPDIF modes only, not supported in DSD mode)

Automute is disabled by default and can be enabled by setting *automute\_time* to a non-zero value. Automute is triggered when the following conditions are met:

Mode	Detection Condition	Time
PCM SPDIF	Data is lower than <i>automute_level</i> for the specified time	$\frac{2096896}{\text{automute\_time} * \text{FSR}}$ (s)

*Automute\_time* can be set using [Register 4: Automute Time](#).

*Automute\_level* can be set using [Register 5: Automute Level](#).

The automute status can be read using *automute\_status* in [Register 64 \(Read-Only\): Chip ID and Status](#) or via a GPIO pin programmed as Automute Status using [Register 8: GPIO1-2 Configuration](#).

The triggered automute behavior can be configured using [Register 2: Mixing, Serial Data and Automute Configuration](#) to one of the followings:

- No action
- Soft Mute
- Ramp all channels to ground to reduce power consumption
- Soft Mute then ramp all channels to ground

The ramp-to-ground rate can be configured to  $4096 * \frac{2^{(\text{soft\_start\_time}+1)}}{\text{MCLK}}$  using [Register 14: Soft Start Configuration](#).

### Volume Control (not applicable in OSF Bypass mode)

Each channel has an independently controlled digital attenuation circuit which can be set to attenuate from 0dB to  $-127$ dB in 0.5dB steps. When a new volume level is set, the digital attenuation circuit will ramp softly to the new level. To ensure silent digital volume transitions each 0.5dB step can take as many as 64 intermediate steps depending on the *volume\_rate* setting in [Register 6: De-emphasis, DoP and Volume Ramp Rate](#).

### Master Trim (not applicable in OSF Bypass mode)

The master trim sets the 0dB reference level for the digital volume control of each DAC. The master trim is programmable via [Register 17-20: Master Trim](#). The master trim registers store a 32bit signed number and should never exceed the full scale signed value  $32'h7FFFFFFF$ .

### 18dB Channel Gain

A +18dB gain can be applied on a per-channel based using [Register 27: General Configuration](#), in addition to volume control and master trim. Note that the output will be clipped if the +18dB gain results in larger than full scale output.



## ES9038Q2M Datasheet



### De-emphasis

The de-emphasis feature is included for audio data that has utilized the 50/15 $\mu$ s pre-emphasis for noise reduction. There are three de-emphasis filters, one for 32kHz, one for 44.1kHz, and one for 48kHz selectable via *deemph\_sel* and bypassed via *deemph\_bypass* in [Register 6: De-emphasis, DoP and Volume Ramp Rate](#).

The de-emphasis filter can automatically be applied when an SPDIF stream sets the de-emphasis flag. It will auto detect the sample rate (32k, 44.1k, 48k) in either consumer or professional formats and then apply the correct de-emphasis filter. The automatic enabling of the de-emphasis filter can be enabled via *auto\_deemph* in [Register 6: De-emphasis, DoP and Volume Ramp Rate](#).

### Preset Oversampling FIR Filters

Seven pre-programmed digital filters are selectable for SPDIF and PCM serial mode via *filter\_shape* in [Register 7: Filter Bandwidth and System Mute](#). See [ANALOG PERFORMANCE](#), [PCM FILTER FREQUENCY RESPONSE](#) and [PCM FILTER IMPULSE RESPONSE](#) for more information.

### Custom Oversampling FIR Filter

The FIR filter can also be programmed as a two-staged interpolation filter with custom coefficients to achieve unique sound signature. Custom coefficients can be generated using MATLAB and then downloaded using a custom C code.

#### Example Source Code for Loading a Filter

```
// only accept 128 or 16 coefficients
// Note: The coefficients must be quantized to 24 bits for this method!
// Note: Stage 1 consists of 128 values (0-127 being the coefficients)
// Note: Stage 2 consists of 16 values (0-13 being the coefficients, 14-15 are zeros)
// Note: Stage 2 is symmetric about coefficient 13. See the example filters for more information.
byte fir_badr = 40;
byte coeff_stage = (byte)(coeffs.Count == 128 ? 0 : 1);
for (int i = 0; i < coeffs.Count; i++)
{
    // stage 1 contains 128 coefficients, while stage 2 contains 16 coefficients
    registers.WriteRegister(fir_badr, (byte)((coeff_stage << 7) + i));

    // write the coefficient data
    registers.WriteRegister(fir_badr+1, (byte)(coeffs[i] & 0xff));
    registers.WriteRegister(fir_badr+2, (byte)((coeffs[i] >> 8) & 0xff));
    registers.WriteRegister(fir_badr+3, (byte)((coeffs[i] >> 16) & 0xff));

    registers.WriteRegister(fir_badr+4, 0x02); // set the write enable bit
}
// disable the write enable bit when we're done
registers.WriteRegister(fir_badr+5, (byte)(setEvenBit ? 0x04 : 0x00));
```

### Oversampling Filter (OSF) Bypass

The oversampling FIR filter can be bypassed using *bypass\_osf* in [Register 7: Filter Bandwidth and System Mute](#), sourcing data directly into the IIR filter. The audio input should be oversampled at 8 x *fs* rate when OSF is bypassed to have the same IIR filter bandwidth as PCM audio sampled at *fs* rate. For example, a signal with 44.1kHz sample rate can be oversampled externally to 8 x 44.1kHz = 352.8kHz and then applied to the serial decoder in either I<sup>2</sup>S or LJ format. The maximum sample rate that can be applied is 1.536MHz (8 x 192kHz).

### DSD Filter

A DSD filter with cutoff at 47kHz scaled by *fs*/44100 is available. See [DSD FILTER RESPONSE](#) for more information.

### Channel Mapping and Mixing

Channel mapping, mixing and mono mode can be configured using [Register 2: Mixing, Serial Data and Automute Configuration](#).



## Time Domain Jitter Eliminator and DPLL

By default, the DAC works in Jitter Eliminator mode allowing the audio interface timing to be asynchronous to MCLK. A DPLL constantly updates the FSR/MCLK ratio to calculate the true 32-bit timing of the incoming audio samples allowing the ESS patented Time Domain Jitter Eliminator to remove any distortion caused by jitter.

- The DPLL acquisition speed can be set by *lock\_speed* in [Register 10: Master Mode and Sync Configuration](#).
- The PCM/SPDIF DPLL bandwidth can be set via *dp11\_bw\_serial* in [Register 12: ASRC/DPLL Bandwidth](#).
- The DSD DPLL bandwidth can be set via *dp11\_bw\_dsd* in [Register 12: ASRC/DPLL Bandwidth](#).

For best performance, the DPLL bandwidth should be set to the minimum setting that will keep the DPLL reliably in lock.

## Sample Rate Calculation

The raw sample rate (FSR) can be calculated from [Register 66-69 \(Read-Only\): DPLL Number](#) using the following formula:

$$\text{FSR} = \frac{(\text{dp11\_num} * \text{MCLK})}{2^{32}}$$

## Synchronous Mode (PCM mode only)

The DPLL can be bypassed if the incoming PCM audio is synchronous to MCLK with the relationship  $\text{MCLK} = 128\text{FSR}$ . This can be enabled via *128fs\_mode* in [Register 10: Master Mode and Sync Configuration](#).

## DAC Full-Scale Gain Calibration

DAC gain calibration enables uniform output level across multiple chips by compensating for chip-to-chip gain variations. It cannot be used to compensate for gain variation caused by mismatch of external components

The DAC full-scale gain-calibration system works by comparing an internal resistor to an external precision resistor of known value. The two resistors are set up as a voltage divider that is connected between power and ground. The value of the internal resistor changes with semiconductor process variations so by measuring the divider's voltage output, using an ADC, the process variation from nominal can be measured and this is used to correct the DAC gain. As all the DAC channels are on the same monolithic chip, the channel-to-channel gain variation is very small and does not need to be trimmed.

The ADC input can be used to drive the auto-calibration circuit. The circuit uses the ADC value, as decimated by the internal programmable decimation filters, to scale the *master\_trim* value. *Master\_trim* can be programmed as normal but will be scaled by the ADC value when in automatic-calibration mode. In this mode, *master\_trim* can be set once by enabling automatic calibration, and the DAC output levels will be consistent across all DAC devices.

- Full-scale gain-calibration is enabled using *calib\_en* in [Register 45: Low Power and Auto Calibration](#).
- *calib\_sel* in [Register 45: Low Power and Auto Calibration](#) selects which ADC to use
- *calib\_latch* in [Register 45: Low Power and Auto Calibration](#) determines whether to use the new ADC correction value or ignore it.
- ADC values update at the *ADC\_CLK* rate which is also programmable in [Register 46: ADC Configuration](#).

The ADC decimation filters may also be programmed to a lower bandwidth to help smooth out any voltage transients on the divider output.

## ES9038Q2M Datasheet



### THD Compensation

THD Compensation can be used to minimize distortion from external PCB components and layout through the generation of inverse second and third harmonic components matching the target system distortion profile.

THD compensation can be enabled via *thd\_enb* in [Register 13: THD Bypass](#).

The coefficient for manipulating second harmonic distortion is stored in [Register 22-23: THD Compensation C2](#).

The coefficient for manipulating third harmonic distortion is stored in [Register 24-25: THD Compensation C3](#).

*All channels use the same compensation coefficients.*

### Standby Mode

For lowest power consumption, the following should be performed to enter the stand-by mode:

- RESETB pin should be brought to low digital level to:
  - Shut off the DACs, Oscillator and internal regulator.
  - Force digital I/O pins (DATA\_CLK, DATA1, GPIO1, GPIO2, SDA ) into tri-state mode
- If XI is supplied externally, it should be stopped at a logic low level

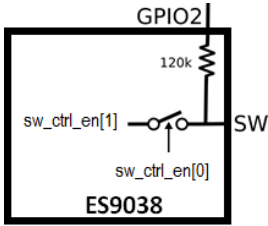
To resume from standby mode bring RESETB to high digital level, resume XI if supplied externally, and reinitialize all registers.

### DVDD Supply

The ES9038Q2M is equipped with a regulated DVDD supply powered from DVCC. The internal DVDD regulator must be decoupled to DGND with a capacitor that maintains a minimum value of 1 $\mu$ F at 1.2V over the target operating temperature range. The recommended capacitor for decoupling DVDD is a 4.7 $\mu$ F  $\pm$ 20%, X5R 6.3V 0402.

### Headphone Amp Control (when used with SABRE9602)

When used with the SABRE9602 headphone amp, the following pins can be used to provide dedicated control.

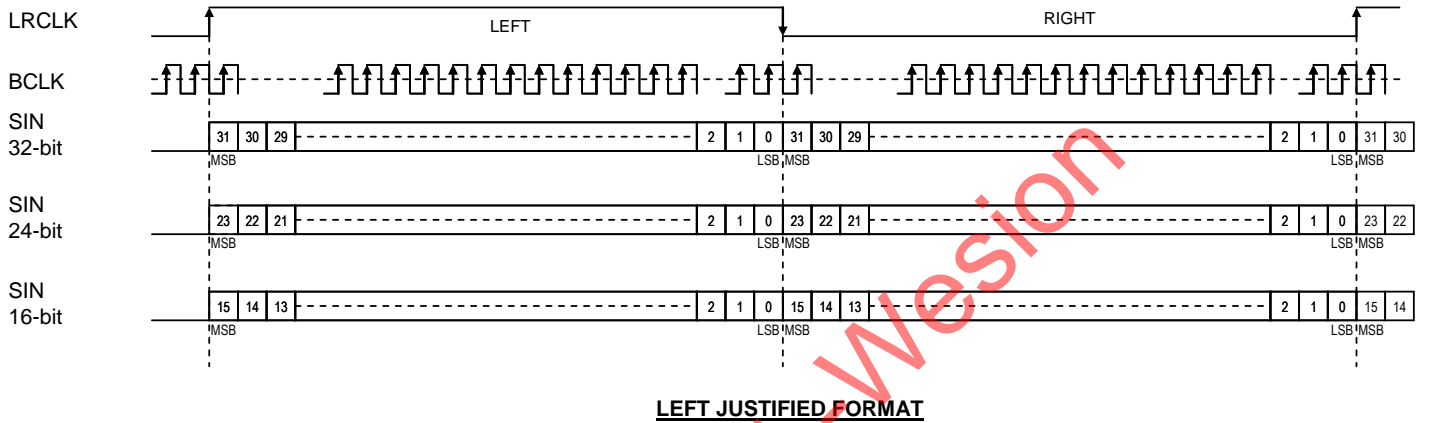
ES9038 pin	Connect to SABRE9602 pin	ES9038 Reset State	ES9038 Normal Operation
HPSDb	AMP_PDB	HPSDb is pulled down via internal 100k $\Omega$ resistor on HPSSb	HPSSb is controlled via <i>amp_pdb</i> and <i>amp_pdb_ss</i> in <a href="#">Register 39: General Configuration 2</a>
SW	SW_CTRL	SW is controlled by GPIO2 via internal 120k $\Omega$ resistor to select AUX (GPIO2=1) or standby (GPIO2=0) mode  	SW is controlled via <i>sw_ctrl_en[1]</i> once <i>sw_ctrl_en[0]</i> is programmed to be 1'b1 in <a href="#">Register 39: General Configuration 2</a> .
FSYNC	FSYNC	Tri-stated	Sets charge pump frequency via <a href="#">Register 30-31: Charge Pump Clock</a>
BIAS	-	1'b0	General purpose output controlled via <i>bias_ctrl</i> in <a href="#">Register 45: Low Power and Auto Calibration</a>



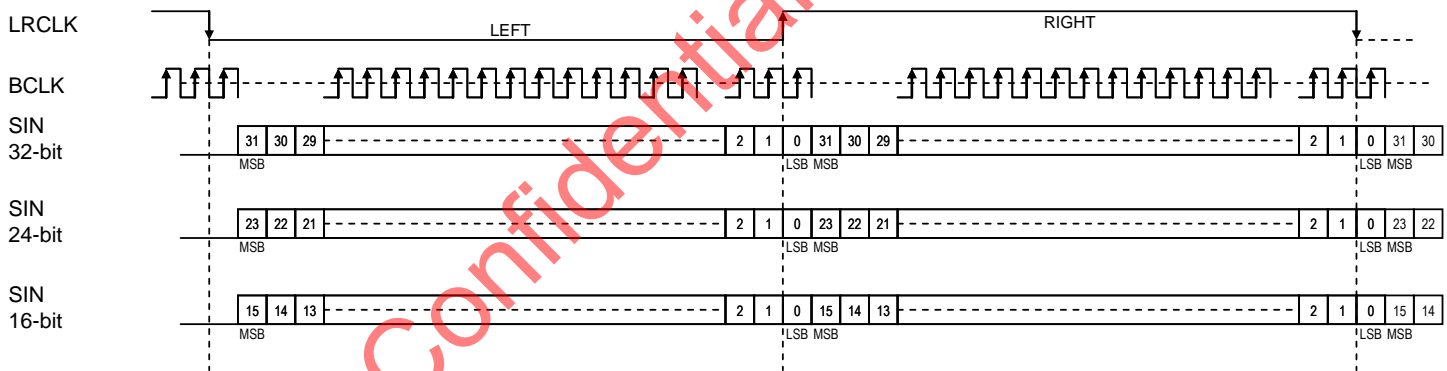
## Audio Interface Formats

Several digital audio transport formats are supported to allow direct connection to common audio processors. Auto detection circuitry is enabled by default to detect the input format. The input mode can be explicitly set using [Register 1: Input selection](#). The following diagrams outline the supported formats (using stereo 2-channel inputs as an example).

### PCM LJ and I2S Formats



**LEFT JUSTIFIED FORMAT**



**I2S FORMAT**

**Note:** for Left-Justified and I<sup>2</sup>S formats, the following number of BCLKs is present per (left plus right) frame:

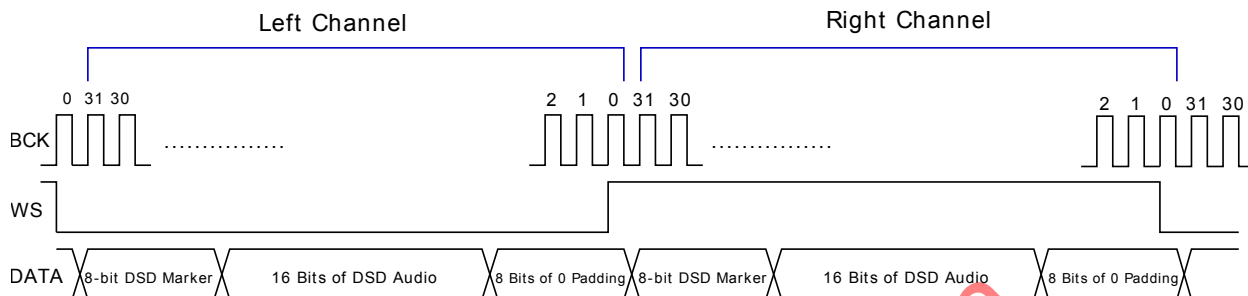
- 16-bit mode: 32 BCLKs
- 24-bit mode: 48 BCLKs
- 32-bit mode: 64 BCLKs

# ES9038Q2M Datasheet



## DoP (DSD over PCM) Audio Format

The DoP format packs DSD data into PCM frames. The incoming data is identified as DoP if the DSD Markers 0x05 and 0xFA alternating each frame clock cycle are present as illustrated below.

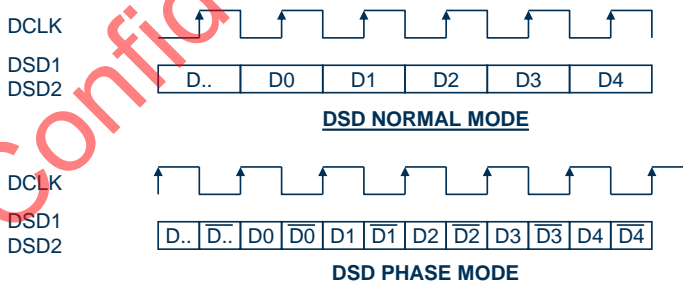


Frame Cycle	1 Left	1 Right	2 Left	2 Right	3 Left	3 Right
DSD Marker	0x05	0x05	0xFA	0xFA	0x05	0x05

Note: DoP requires 24-bit or 32-bit PCM mode and is not supported in 16-bit PCM mode.

- 24-bit mode: DoP data consists of 8-bit marker in the MSB followed by 16-bit DSD data
- 32-bit mode: DoP data consists of 8-bit marker in the MSB followed by 16-bit DSD data and 8-bit padding

## Native DSD Format

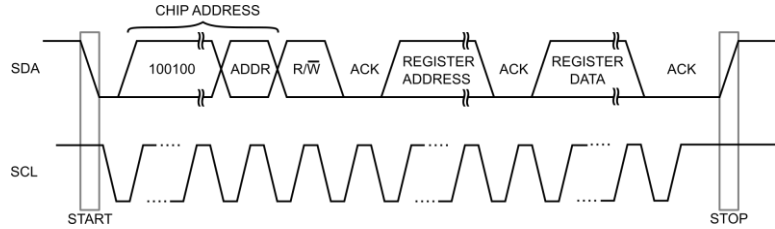




## Serial Control Interface

The registers inside the chip are programmed via an I<sup>2</sup>C interface. The diagram below shows the timing for this interface. The chip address can be set to 2 different settings via the ADDR pin.

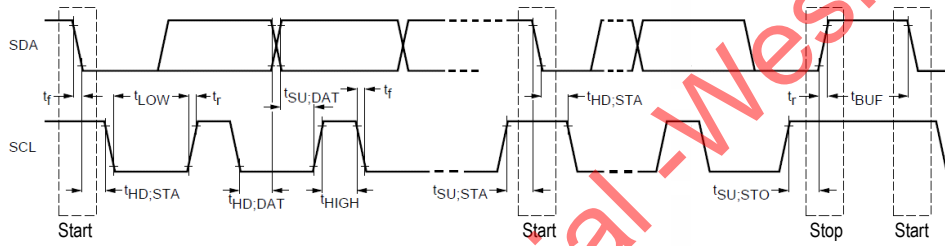
ADDR	CHIP ADDRESS
0	0x90
1	0x92



**Note:**

- Multi-byte reads are not supported and may cause the I2C decoder to become unresponsive until a reset occurs.

## I2C Timing Table



Parameter	Symbol	MCLK Constraint	Standard-Mode		Fast-Mode		Unit
			MIN	MAX	MIN	MAX	
SCL Clock Frequency	$f_{SCL}$	$< MCLK/20$	0	100	0	400	kHz
START condition hold time	$t_{HD,STA}$		4.0	-	0.6	-	$\mu s$
LOW period of SCL	$t_{LOW}$	$> 10/MCLK$	4.7	-	1.3	-	$\mu s$
HIGH period of SCL ( $> 10/MCLK$ )	$t_{HIGH}$	$> 10/MCLK$	4.0	-	0.6	-	$\mu s$
START condition setup time (repeat)	$t_{SU,STA}$		4.7	-	0.6	-	$\mu s$
SDA hold time from SCL falling - All except NACK read - NACK read only	$t_{HD,DAT}$		0 2/MCLK	-	0 2/MCLK	-	$\mu s$ s
SDA setup time from SCL rising	$t_{SU,DAT}$		250	-	100	-	ns
Rise time of SDA and SCL	$t_r$		-	1000		300	ns
Fall time of SDA and SCL	$t_f$		-	300		300	ns
STOP condition setup time	$t_{SU,STO}$		4	-	0.6	-	$\mu s$
Bus free time between transmissions	$t_{BUF}$		4.7	-	1.3	-	$\mu s$
Capacitive load for each bus line	$C_b$		-	400	-	400	pF

## ES9038Q2M Datasheet



## REGISTER SETTINGS

## Register 0: System Registers

Bits	[7:4]	[3:2]	[1]	[0]
Mnemonic	osc_drv	clk_gear	reserved	soft_reset
Default	4'b0000	2'b00	1'b0	1'b0

Bit	Mnemonic	Description
[7:4]	osc_drv	<p>Oscillator drive specifies the bias current to the oscillator pad.</p> <ul style="list-style-type: none"> <li>4'b0000: full bias (default)</li> <li>4'b1000: ¾ bias</li> <li>4'b1100: ½ bias</li> <li>4'b1110: ¼ bias</li> <li>4'b1111: shut down the oscillator</li> </ul>
[3:2]	clk_gear	<p>Configures a clock divider network that can reduce the power consumption of the chip by reducing the clock frequency supplied to both the digital core and analog stages.</p> <ul style="list-style-type: none"> <li>2'b00: MCLK = XI (default)</li> <li>2'b01: MCLK = XI / 2</li> <li>2'b10: MCLK = XI / 4</li> <li>2'b11: MCLK = XI / 8</li> </ul>
[1]	reserved	
[0]	soft_reset	<p>Software configurable hardware reset with the ability to reset the design to its initial power-on configuration.</p> <ul style="list-style-type: none"> <li>1'b0: normal operation (default)</li> <li>1'b1: resets the Sabre to its power-on defaults</li> </ul> <p>Note: This register will always read as "1'b0" as the power-on default for this register is "1'b0". A reset can be verified by checking the status of other modified registers.</p>

Confidential - Western



## Register 1: Input selection

Bits	[7:6]	[5:4]	[3:2]	[1:0]
Mnemonic	serial_length	serial_mode	auto_select	input_select
Default	2'b11	2'b00	2'b11	2'b00

Bit	Mnemonic	Description
[7:6]	serial_length	Selects how many DATA_CLK pulses exist per data word. <ul style="list-style-type: none"> <li>2'b00: 16-bit data words</li> <li>2'b01: 24-bit data words</li> <li>2'b10: 32-bit data words</li> <li>2'b11: 32-bit data words (default)</li> </ul>
[5:4]	serial_mode	Configures the type of serial data. <ul style="list-style-type: none"> <li>2'b00: I2S mode (default)</li> <li>2'b01: left-justified mode</li> <li>2'b11 or 2'b10: right-justified mode</li> </ul>
[3:2]	auto_select	Allows the Sabre to automatically select between either serial (I2S) or DSD input formats. <ul style="list-style-type: none"> <li>2'b00: disable automatic input decoder and instead use the information provided by register 1[1:0]</li> <li>2'b01: automatically select between DSD or serial data</li> <li>2'b10: automatically select between SPDIF or serial data</li> <li>2'b11: automatically select between DSD, SPDIF or serial data (default)</li> </ul>
[1:0]	input_select	Configures the Sabre to use a particular input decoder if auto_select is disabled. <ul style="list-style-type: none"> <li>2'b00: serial (default)</li> <li>2'b01: SPDIF</li> <li>2'b10: reserved</li> <li>2'b11: DSD</li> </ul> <p>Note: Register 1[3:2] must be set to 2'b00 for input_select to function.</p>

Confidential - Mesion



## ES9038Q2M Datasheet



## Register 2: Mixing, Serial Data and Automute Configuration

Bits	[7:6]	[5:4]	[3:2]	[1:0]
Mnemonic	automute_config	reserved	ch2_mix_sel	ch1_mix_sel
Default	2'b00	2'b11	2'b01	2'b00

Bit	Mnemonic	Description
[7:6]	automute_config	<p>Configures the automute state machine, which allows the Sabre 2M to perform different power saving and sound optimizations.</p> <ul style="list-style-type: none"> <li>2'b00: normal operation (default)</li> <li>2'b01: perform a mute when an automute condition is asserted</li> <li>2'b10: ramp all channels to ground when an automute condition is asserted</li> <li>2'b11: perform a mute and then ramp all channels to ground when an automute condition is asserted</li> </ul> <p>Note: Ramping DAC outputs to ground can reduce the power consumption of the Sabre 2M in some situations.            Note: This process can be sped up by using the automute_time, volume_rate and soft_start_time registers.</p>
[5:4]	reserved	
[3:2]	ch2_mix_sel	<p>Selects which data is mapped to DAC 2.</p> <ul style="list-style-type: none"> <li>2'b00: ch1</li> <li>2'b01: ch2 (default)</li> <li>2'b10: reserved</li> <li>2'b11: reserved</li> </ul>
[1:0]	ch1_mix_sel	<p>Selects which data is mapped to DAC 1.</p> <ul style="list-style-type: none"> <li>2'b00: ch1 (default)</li> <li>2'b01: ch2</li> <li>2'b10: reserved</li> <li>2'b11: reserved</li> </ul>

Confidential - Wesion



### Register 3: SPDIF Configuration

Bits	[7:4]	[3]	[2]	[1]	[0]
Mnemonic	reserved	spdif_user_bits	spdif_ig_data	spdif_ig_valid	reserved
Default	4'd4	1'b0	1'b0	1'b0	1'b0

Bit	Mnemonic	Description
[7:4]	reserved	
[3]	spdif_user_bits	<p>Both SPDIF channel status bits and SPDIF user bits are available for readback via the I2C interface. To reduce register count the channel status bits and user bits occupy the same register space. Setting user_bits will present the SPDIF user bits on the read-only register interface instead of the default channel status bits.</p> <ul style="list-style-type: none"> <li>1'b1: presents the SPDIF user bits on the read-only register interface</li> <li>1'b0: presents the SPDIF channel status bits on the read-only register interface (default)</li> </ul>
[2]	spdif_ig_data	<p>Configures the SPDIF decoder to ignore the 'data' flag in the channel status bits.</p> <ul style="list-style-type: none"> <li>1'b1: ignore the data flag in the channel status bits and continue to process the decoded SPDIF data</li> <li>1'b0: mute the SPDIF data when the data flag is set (default)</li> </ul> <p>Note: Enabling the SPDIF output when data is present could cause undesirable noise if the SPDIF data is compressed audio or a non-standard format.</p>
[1]	spdif_ig_valid	<p>Configures the SPDIF decoder to ignore the 'valid' flag in the SPDIF stream.</p> <ul style="list-style-type: none"> <li>1'b1: ignore the valid flag and continue to process the decoded SPDIF data</li> <li>1'b0: mute the SPDIF data when the valid flag is invalid (default)</li> </ul>
[0]	reserved	

Confidential Version

## ES9038Q2M Datasheet



## Register 4: Automute Time

Bits	[7:0]
Mnemonic	automute_time
Default	8'd0

Bit	Mnemonic	Description
[7]	automute_time	Configures the amount of time the audio data must remain below the automute_level before an automute condition is flagged. Defaults to 0 which disables automute.  $\text{Time in seconds} = \frac{2096896}{\text{automute\_time} * \text{FSR}}$

## Register 5: Automute Level

Bits	[7]	[6:0]
Mnemonic	reserved	automute_level
Default	1'b0	7'd104

Bit	Mnemonic	Description
[7]	reserved	Not connected in digital core.
[6:0]	automute_level	Configures the threshold which the audio must be below before an automute condition is flagged. The level is measured in decibels (dB) and defaults to -104dB. Note: This register works in tandem with automute_time to create the automute condition.

Confidential - Wesion



## Register 6: De-emphasis, DoP and Volume Ramp Rate

Bits	[7]	[6]	[5:4]	[3]	[2:0]
Mnemonic	auto_deemph	deemph_bypass	deemph_sel	dop_enable	volume_rate
Default	1'b0	1'b1	2'b00	1'b0	2'b010

Bit	Mnemonic	Description
[7]	auto_deemph	Automatically engages the de-emphasis filters when SPDIF data is provided and the SPDIF channel status bits contains valid de-emphasis settings. <ul style="list-style-type: none"> <li>1'b1: enables automatic de-emphasis</li> <li>1'b0: disables automatic de-emphasis (default)</li> </ul>
[6]	deemph_bypass	Enables or disables the built-in de-emphasis filters. <ul style="list-style-type: none"> <li>1'b1 disabled de-emphasis filters (default)</li> <li>1'b0 enables de-emphasis filters</li> </ul>
[5:4]	deemph_sel	Selects which de-emphasis filter is used. <ul style="list-style-type: none"> <li>2'b11: reserved</li> <li>2'b10: 48kHz</li> <li>2'b01: 44.1kHz</li> <li>2'b00: 32kHz (default)</li> </ul>
[3]	dop_enable	Selects whether the DSD over PCM (DoP) logic is enabled. <ul style="list-style-type: none"> <li>1'b0: disables the DoP logic</li> <li>1'b1: enables the DoP logic</li> </ul>
[2:0]	volume_rate	Selects a volume ramp rate to use when transitioning between different volume levels. The volume ramp rate is measured in decibels per second (dB/s). $\text{rate} = \frac{2^{\text{vol\_rate}} * \text{FSR}}{512} \text{ dB/s}$

Confidential - Wesion

## ES9038Q2M Datasheet



## Register 7: Filter Bandwidth and System Mute

Bits	[7:5]	[4]	[3]	[2:1]	[0]
Mnemonic	filter_shape	reserved	bypass_osf	reserved	mute
Default	3'b100	1'b0	1'b0	2'b00	1'b0

Bit	Mnemonic	Description
[7:5]	filter_shape	Selects the type of filter to use during the 8x FIR interpolation phase. <ul style="list-style-type: none"> <li>• 3'b111: brick wall filter</li> <li>• 3'b110: corrected minimum phase fast roll-off filter</li> <li>• 3'b101: reserved</li> <li>• 3'b100: apodizing fast roll-off filter (default)</li> <li>• 3'b011: minimum phase slow roll-off filter</li> <li>• 3'b010: minimum phase fast roll-off filter</li> <li>• 3'b001: linear phase slow roll-off filter</li> <li>• 3'b000: linear phase fast roll-off filter</li> </ul>
[4]	reserved	
[3]	bypass_osf	Allows the use of an external 8x upsampling filter, bypassing the internal interpolating FIR filter. <ul style="list-style-type: none"> <li>• 1'b0: uses the built-in oversampling filter (default)</li> <li>• 1'b1: uses an external upsampling filter, which requires data oversampled by 8x externally</li> </ul>
[2:1]	reserved	
[0]	mute	Mutes all 2 channels of the Sabre DAC. <ul style="list-style-type: none"> <li>• 1'b0: normal operation (default)</li> <li>• 1'b1: mute both channels</li> </ul>

Confidential - Version



## Register 8: GPIO1-2 Configuration

Bits	[7:4]	[3:0]
Mnemonic	gpio2_cfg	gpio1_cfg
Default	4'd13	4'd13

## GPIO Table

The GPIO can each be configured in one of several ways.  
The table below is for programming each independent GPIO configuration value.

gpioX_cfg	Name	I/O Direction	Details
4'd 0	Automute Status	Output	Output is high when an automute has been triggered. This signal is analogous to the automute_status register (register 64).
4'd 1	Lock Status	Output	Output is high when lock is triggered. This signal is analogous to the lock_status register (register 64).
4'd 2	Volume Min	Output	Output is high when all digital volume controls have been ramped to minus full scale. This can occur, for example, if automute is enabled and set to mute the volume.
4'd 3	CLK	Output	Output is a buffered MCLK signal which can be used to synchronize other devices.
4'd 4	Automute/Lock Interrupt	Output	Output is high when the contents of register 64 have been modified (meaning that the lock_status or automute_status register have been changed). Reading register 64 will clear this interrupt.
4'd 5	Amplifier_PDB	Output	Output the state of Reg 39[6]. If Reg 39[6] is 1, the GPIO will output high, if Reg 39[6] is 0, the GPIO will output low.
4'd 6	Charge Pump Clock	Output	Outputs a clock on the GPIO that is divided down from the MCLK. Reg 30:31 will control this output clock frequency
4'd 7	ADC Data	Input	Use this bit to enable the calibration function
4'd 8	Standard Input	Input	Places the GPIO into a high impedance state, allowing the customer to provide a digital signal and then read that signal back via the I2C register 65.
4'd 9	Input Select	Input	Places the GPIO into a high impedance state and allows the customer to toggle the input selection between two modes using the GPIO. See register 21 for more information.
4'd 10	Mute All	Input	Places the GPIO into a high impedance state and allows the customer to force a mute condition by applying a logic high signal to the GPIO. When a logic low signal is applied the DAC will exhibit normal operation.
4'd 11	Reserved		
4'd 12	Reserved		
4'd 13	Analog Input	Shutdown	In this mode the GPIO can be tied high to shutdown the ES9038Q2M
4'd 14	Soft Start Complete	Output	Output is high when the DAC output is ramped to ground.
4'd 15	Output 1'b1	Output	Output is forced high

## ES9038Q2M Datasheet



### Register 9: Reserved

Bits	[7:4]	[3:0]
Mnemonic	reserved	reserved
Default	4'd2	4'd2

Confidential - Wesion



## Register 10: Master Mode and Sync Configuration

Bits	[7]	[6:5]	[4]	[3:0]
Mnemonic	master_mode	master_div	128fs_mode	lock_speed
Default	1'b0	2'b00	1'b0	4'd2

Bit	Mnemonic	Description
[7]	master_mode	<p>Enables master mode which causes the Sabre to drive the DATA_CLK and DATA1 signals when in I2S mode. Can also be enabled when in DSD mode to enable DATA_CLK only.</p> <ul style="list-style-type: none"> <li>1'b0: disables master mode (default)</li> <li>1'b1: enables master mode</li> </ul>
[6:5]	master_div	<p>Sets the frame clock (DATA1) and DATA_CLK frequencies when in master mode. This register is used when in normal synchronous operation.</p> <ul style="list-style-type: none"> <li>2'b00: DATA_CLK frequency = MCLK/2 (default)</li> <li>2'b01: DATA_CLK frequency = MCLK/4</li> <li>2'b10: DATA_CLK frequency = MCLK/8</li> <li>2'b11: DATA_CLK frequency = MCLK/16</li> </ul>
[4]	128fs_mode	<p>Enables operation of the DAC while in synchronous mode with a 128*FSR MCLK in PCM normal or OSF bypass mode only.</p> <ul style="list-style-type: none"> <li>1'b1: enables MCLK = 128*FSR mode</li> <li>1'b0: disables MCLK = 128*FSR mode (default)</li> </ul>
[3:0]	lock_speed	<p>Sets the number of audio samples required before the DPLL and ASRC lock to the incoming signal. More audio samples gives a better initial estimate of the MCLK/FSR ratio at the expense of a longer locking interval.</p> <ul style="list-style-type: none"> <li>4'd0: 16384 FSL edges</li> <li>4'd1: 8192 FSL edges</li> <li>4'd2: 5461 FSL edges (default)</li> <li>4'd3: 4096 FSL edges</li> <li>4'd4: 3276 FSL edges</li> <li>4'd5: 2730 FSL edges</li> <li>4'd6: 2340 FSL edges</li> <li>4'd7: 2048 FSL edges</li> <li>4'd8: 1820 FSL edges</li> <li>4'd9: 1638 FSL edges</li> <li>4'd10: 1489 FSL edges</li> <li>4'd11: 1365 FSL edges</li> <li>4'd12: 1260 FSL edges</li> <li>4'd13: 1170 FSL edges</li> <li>4'd14: 1092 FSL edges</li> <li>4'd15: 1024 FSL edges</li> </ul> <p>Note: FSL=FSR except in DSD Mode FSL=FSR*64</p>



## ES9038Q2M Datasheet



### Register 11: SPDIF Select

Bits	[7:4]	[3:0]
Mnemonic	spdif_sel	reserved
Default	4'd0	4'd0

Bit	Mnemonic	Description
[7:4]	spdif_sel	Selects which input to use when decoding SPDIF data. Note: If using a GPIO the GPIO configuration must be set to an input. <ul style="list-style-type: none"> <li>• 4'd0: DATA_CLK (default)</li> <li>• 4'd1: DATA1</li> <li>• 4'd2: DATA2</li> <li>• 4'd3: GPIO1</li> <li>• 4'd4: GPIO2</li> <li>• 4'd5-4'd15: Reserved</li> </ul>
[3:0]	reserved	

Confidential - Wesion



## Register 12: ASRC/DPLL Bandwidth

Bits	[7:4]	[3:0]
Mnemonic	dpll_bw_serial	dpll_bw_dsd
Default	4'd5	4'd10

Bit	Mnemonic	Description
[7:4]	dpll_bw_serial	Sets the bandwidth of the DPLL when operating in I2S mode. <ul style="list-style-type: none"> <li>• 4'd0: DPLL Off</li> <li>• 4'd1: Lowest Bandwidth</li> <li>• 4'd2:</li> <li>• 4'd3:</li> <li>• 4'd4:</li> <li>• 4'd5: (default)</li> <li>• 4'd6:</li> <li>• 4'd7:</li> <li>• 4'd8:</li> <li>• 4'd9:</li> <li>• 4'd10:</li> <li>• 4'd11:</li> <li>• 4'd12:</li> <li>• 4'd13:</li> <li>• 4'd14:</li> <li>• 4'd15: Highest Bandwidth</li> </ul>
[3:0]	dpll_bw_dsd	Sets the bandwidth of the DPLL when operating in DSD mode. <ul style="list-style-type: none"> <li>• 4'd0: DPLL Off</li> <li>• 4'd1: Lowest Bandwidth</li> <li>• 4'd2:</li> <li>• 4'd3:</li> <li>• 4'd4:</li> <li>• 4'd5:</li> <li>• 4'd6:</li> <li>• 4'd7:</li> <li>• 4'd8:</li> <li>• 4'd9:</li> <li>• 4'd10: (default)</li> <li>• 4'd11:</li> <li>• 4'd12:</li> <li>• 4'd13:</li> <li>• 4'd14:</li> <li>• 4'd15: Highest Bandwidth</li> </ul>

## ES9038Q2M Datasheet



### Register 13: THD Bypass

Bits	[7]	[6]	[5:0]
Mnemonic	reserved	thd_enb	reserved
Default	1'b0	1'b1	6'd0

Bit	Mnemonic	Description
[7]	reserved	
[6]	thd_enb	<p>Selects whether to disable the THD compensation logic. THD compensation is enabled by default and can be configured to correct for second and third harmonic distortion.</p> <ul style="list-style-type: none"> <li>1'b0: enable THD compensation (default)</li> <li>1'b1: disable THD compensation</li> </ul>
[5:0]	reserved	

Confidential - Wesion



## Register 14: Soft Start Configuration

Bits	[7]	[6]	[5]	[4:0]
Mnemonic	soft_start	soft_start_on_lock	reserved	soft_start_time
Default	1'b0	1'b0	1'b0	5'd10

Bit	Mnemonic	Description
[7]	soft_start	<p>The Sabre DAC initializes both DAC and DACB to GND and then ramps up the output to AVCC/2. DAC and DACB remain in phase until the ramp is complete. Soft_start controls the ramp operation and defaults to 1'b0. This bit must be set to 1'b1 in order for the DAC to have analog outputs.</p> <ul style="list-style-type: none"> <li>• 1'b0: Ramps the output stream to ground (default)</li> <li>• 1'b1: Normal Operation, will ramp the output to AVCC/2</li> </ul>
[6]	soft_start_on_lock	<p>Automatically ramps the output to AVCC/2.</p> <ul style="list-style-type: none"> <li>• 1'b0: Always soft start (default)</li> <li>• 1'b1: Soft start and output ramps to AVCC/2 when locked. When the DAC is unlocked the outputs will ramp to GND. The output will not ramp to AVCC/2 if Reg 14 [7] is set to 1'b0.</li> </ul>
[5]	reserved	
[4:0]	soft start time	<p>Sets the amount of time that it takes to perform a soft start ramp. This time affects both ramp to ground and ramp to AVCC/2. This value is valid from 0 to 20 (inclusive).</p> $\text{time (s)} = 4096 * \frac{2^{(\text{soft\_start\_time}+1)}}{\text{MCLK (Hz)}}$

Confidential - Revision

## ES9038Q2M Datasheet



### Register 15-16: Volume Control

Bits	[7:0]
Register 15	volume1
Register 16	volume2
Default	8'd80

Bit	Mnemonic	Description
[7:0]	volume1	Default of 8'd80 (-40dB) -0dB to -127.5dB with 0.5dB steps
[7:0]	volume2	Default of 8'd80 (-40dB) -0dB to -127.5dB with 0.5dB steps

### Register 17-20: Master Trim

Bits	[31:0]
Mnemonic	master_trim
Default	32'h7ffffff

Bit	Mnemonic	Description
[31:0]	master_trim	A 32 bit signed value that sets the 0dB level for all volume controls. Defaults to full-scale (32'h7FFFFFFF).

Confidential - Wesion



## Register 21: GPIO Input Selection

Bits	[7:6]	[5:4]	[3:0]
Mnemonic	gpio_sel2	gpio_sel1	reserved
Default	2'b00	2'b00	4'd0

Bit	Mnemonic	Description
[7:6]	gpio_sel2	Selects which input type will be selected when GPIO2 = Input Select <ul style="list-style-type: none"> <li>• 2'd0: serial data (I2S/LJ) (default)</li> <li>• 2'd1: SPDIF</li> <li>• 2'd2: reserved</li> <li>• 2'd3: DSD data</li> </ul>
[5:4]	gpio_sel1	Selects which input type will be selected when GPIO1 = Input Select <ul style="list-style-type: none"> <li>• 2'd0: serial data (I2S/LJ) (default)</li> <li>• 2'd1: SPDIF</li> <li>• 2'd2: reserved</li> <li>• 2'd3: DSD data</li> </ul>
[3:0]	reserved	

Confidential - Wesion

## ES9038Q2M Datasheet



### Register 22-23: THD Compensation C2

Bits	[15:0]
Mnemonic	thd_comp_c2
Default	16'd0

Bit	Mnemonic	Description
[15:0]	thd_comp_c2	A 16-bit signed coefficient for correcting for the second harmonic distortion. Defaults to 16'd0.

### Register 24-25: THD Compensation C3

Bits	[15:0]
Mnemonic	thd_comp_c3
Default	16'd0

Bit	Mnemonic	Description
[15:0]	thd_comp_c3	A 16-bit signed coefficient for correcting for the third harmonic distortion. Defaults to 16'd0.

### Register 26: Reserved

Bits	[7:0]
Mnemonic	reserved
Default	8'd98

Bit	Mnemonic	Description
[7:0]	reserved	

Confidential - Wesion



## Register 27: General Configuration

Bits	[7]	[6:5]	[4]	[3]	[2]	[1:0]
Mnemonic	asrc_en	reserved	reserved	ch1_volume	latch_vol	18db_gain
Default	1'b1	2'b10	1'b1	1'b0	1'b1	2'b00

Bit	Mnemonic	Description
[7]	asrc_en	Selects whether the ASRC is enabled. <ul style="list-style-type: none"> <li>1'b0: ASRC is disabled and the output from the THD compensation block is piped directly into the modulators.</li> <li>1'b1: The ASRC is used as normal, providing a first order correction on the sample rate converted data.</li> </ul>
[6:5]	reserved	
[4]	reserved	
[3]	ch1_volume	Allows channel 2 to share the channel 1 volume control. This allows for perfectly syncing up the two channel gains. <ul style="list-style-type: none"> <li>1'b0: Allow independent control of both channel 1 and channel volume controls (default)</li> <li>1'b1: Use the channel 1 volume control for both channel 1 and channel 2</li> </ul> This bit can only be used for PCM audio data
[2]	latch_volume	Keeps the volume coefficients in synchronization with the programmed volume register. <ul style="list-style-type: none"> <li>1'b0: Disables updates of the internal volume coefficients (useful for updating each channel volume independently and then moving the volume coefficients in tandem)</li> <li>1'b1: The internal volume coefficient is kept in synchronization with the volume registers</li> </ul>
[1:0]	18db_gain	Applies +18dB gain to the DAC datapath. <ul style="list-style-type: none"> <li>2'b00: No gain on either channels</li> <li>2'b01: Normal gain on channel 2, +18dB gain on channel 1</li> <li>2'b10: +18dB gain on channel 2, normal gain on channel 1</li> <li>2'b11: +18dB gain on both channel 2 and channel 1</li> </ul>



## ES9038Q2M Datasheet



### Register 28: Reserved

Bits	[7:0]
Mnemonic	reserved
Default	8'd11110000

Bit	Mnemonic	Description
[7:0]	reserved	

### Register 29: GPIO Configuration

Bits	[7:6]	[5:0]
Mnemonic	invert_gpio	reserved
Default	2'b00	6'd0

Bit	Mnemonic	Description
[7:6]	invert_gpio	Allows each GPIO output to be inverted independently. <ul style="list-style-type: none"> <li>• 2'b00: Normal GPIO operation (default)</li> <li>• 2'b01: Invert GPIO1 output only</li> <li>• 2'b10: Invert GPIO2 output only</li> <li>• 2'b11: Invert both GPIO outputs</li> </ul>
[5:0]	reserved	

Confidential - Wesion



### Register 30-31: Charge Pump Clock

Bits	[15:14]	[13:12]	[11:0]
Mnemonic	cp_clk_sel	cp_clk_en	cp_clk_div
Default	2'b00	2'b00	12'd0

Bit	Mnemonic	Description
[15:14]	cp_clk_sel	Selects which clock will be used as the reference clock ( $f_{CLK}$ ) for the charge pump clock. <ul style="list-style-type: none"> <li>2'b00: <math>f_{CLK} = XI</math> (default)</li> <li>2'b01: reserved</li> <li>2'b10: reserved</li> <li>2'b11: reserved</li> </ul>
[13:12]	cp_clk_en	Sets the state of the charge pump clock. <ul style="list-style-type: none"> <li>2'b00: Tristate output (default)</li> <li>2'b01: Tied to GND</li> <li>2'b10: Tied to DVDD</li> <li>2'b11: Active</li> </ul>
[11:0]	cp_clk_div	Sets the divider ratio for the charge pump clock. $f_{CLK}$ is the frequency of the clock selected by cp_clk_sel. $f_{cp} = \frac{f_{CLK}}{cp\_clk\_div * 2}$

### Register 32: Reserved

Bits	[7:0]
Mnemonic	reserved
Default	8'd0

Bit	Mnemonic	Description
[7:0]	reserved	

Confidential - Wesion

## ES9038Q2M Datasheet



### Register 33: Interrupt Mask

Bits	[7:6]	[5:2]	[1]	[0]
Mnemonic	reserved	reserved	automute_mask	lock_mask
Default	2'b00	4'b1111	1'b0	1'b0

Bit	Mnemonic	Description
[7:6]	reserved	
[5:2]	reserved	
[1]	automute_mask	Masks the automute bit from flagging an interrupt.
[0]	lock_mask	Masks the lock status bit from flagging an interrupt.

Confidential - Wesion



### Register 34-37: Programmable NCO

Bits	[31:0]
Mnemonic	nco_num
Default	32'd0

Bit	Mnemonic	Description
[31:0]	nco_num	<p>An unsigned 32-bit quantity that provides the ratio between MCLK and DATA_CLK. This value can be used to generate arbitrary DATA_CLK frequencies in master mode. A value of 0 disables this operating mode.</p> <p>Note: Master mode must still be enabled for the Sabre to drive the DATA_CLK and DATA1 pins. You must also select either serial mode or DSD mode in the input_select register to determine whether DATA_CLK should be driven alone (DSD mode) or both DATA_CLK and DATA1 should be driven (serial mode).</p> <ul style="list-style-type: none"> <li>• 32'd0: disables NCO mode (default)</li> <li>• 32'd?: enables NCO mode</li> </ul> <p>Note: NCO is determined by the following equation</p> $FSR = \frac{(nco\_num * MCLK)}{2^{32}}$

### Register 38: Reserved

Bits	[7:0]
Mnemonic	Reserved
Default	8'd0

Bit	Mnemonic	Description
[7:0]	Reserved	

Confidential - Wesion

## ES9038Q2M Datasheet



## Register 39: General Configuration 2

Bits	[7]	[6]	[5:2]	[1:0]
Mnemonic	amp_pdb_ss	amp_pdb	reserved	sw_ctrl_en
Default	1'b0	1'b0	2'b00	2'b00

Bit	Mnemonic	Description
[7]	amp_pdb_ss	<p>Powers the amplifier stage down when the digital core ramps to ground. This is useful when powering down the amplifier when in automute mode.</p> <ul style="list-style-type: none"> <li>1'b0: Amplifier PDB is controlled by the amp_pdb (default)</li> <li>1'b1: Shuts the amplifier down when the DAC is ramped to ground</li> </ul>
[6]	amp_pdb	<p>Enables or disables the headphone amplifier.</p> <ul style="list-style-type: none"> <li>1'b0: Disables the headphone amplifier (default)</li> <li>1'b1: Enables the headphone amplifier</li> </ul>
[5:2]	reserved	
[1:0]	sw_ctrl_en	<p>Selects the operating mode of the external switch control.</p> <ul style="list-style-type: none"> <li>2'b00: Switch control override is disabled and the switch is controlled externally (default)</li> <li>2'b01: Switch control override is enabled and the switch control is set to 0</li> <li>2'b10: Reserved</li> <li>2'b11: Switch control override is enabled and the switch control is set to 1</li> </ul>

Confidential - Version



### Register 40: Programmable FIR RAM Address

Bits	[7:0]
Mnemonic	prog_coeff_addr
Default	8'd0

Bit	Mnemonic	Description
[7]	coeff_stage	Selects which stage of the filter to write. <ul style="list-style-type: none"> <li>1'b0: selects stage 1 of the oversampling filter (default)</li> <li>1'b1: selects stage 2 of the oversampling filter</li> </ul>
[6:0]	coeff_addr	Selects the coefficient address when writing custom coefficients for the oversampling filter.

### Register 41-43: Programmable FIR RAM Data

Bits	[23:0]
Mnemonic	prog_coeff_data
Default	24'd0

Bit	Mnemonic	Description
[23:0]	coeff_data	A 24bit signed filter coefficient that will be written to the address defined in prog_coeff_addr.

### Register 44: Programmable FIR Configuration

Bits	[7:3]	[2]	[1]	[0]
Mnemonic	reserved	stage2_even	prog_we	prog_en
Default	5'b00000	1'b0	1'b0	1'b0

Bit	Mnemonic	Description
[7:3]	reserved	Not connected in the digital core.
[2]	stage2_even	Selects the symmetry of the stage 2 oversampling filter. <ul style="list-style-type: none"> <li>1'b0: Uses a sine symmetric filter (27 coefficients) (default)</li> <li>1'b1: Uses a cosine symmetric filter (28 coefficients)</li> </ul>
[1]	prog_we	Enables writing to the programmable coefficient RAM. <ul style="list-style-type: none"> <li>1'b0: Disables write signal to the coefficient RAM (default)</li> <li>1'b1: Enables write signal to the coefficient RAM</li> </ul>
[0]	prog_en	Enables the custom oversampling filter coefficients. <ul style="list-style-type: none"> <li>1'b0: Uses a built-in filter selected by filter_shape (default)</li> <li>1'b1: Uses the coefficients programmed via prog_coeff_data</li> </ul>

## ES9038Q2M Datasheet



## Register 45: Low Power and Auto Calibration

Bits	[7]	[6]	[5]	[4]	[3:1]	[0]
Mnemonic	reserved	reserved	calib_en	calib_latch	reserved	bias_ctrl
Default	1'b0	1'b0	1'b0	1'b0	3'b010	1'b0

Bit	Mnemonic	Description
[7]	reserved	
[6]	reserved	
[5]	calib_en	Enables master trim calibration via the ADC input. <ul style="list-style-type: none"> <li>1'b0: Disables master trim auto calibration (default)</li> <li>1'b1: Enables master trim auto calibration</li> </ul>
[4]	calib_latch	Continues updating the calibration routine while set to 1'b1.
[3:1]	reserved	
[0]	bias_ctrl	Sets the state of the BIAS pin

Confidential - Wesion



## Register 46: ADC Configuration

Bits	[7]	[6]	[5:4]	[3]	[2]	[1]	[0]
Mnemonic	reserved	adc_order	adc_clk	reserved	adc_ditherb	reserved	adc_pdb
Default	1'b0	1'b0	2'b00	1'b0	1'b0	1'b0	1'b0

Bit	Mnemonic	Description
[7]	reserved	
[6]	adc_order	<p>Selects whether the ADC uses a first order modulator or a second order modulator in the analog section.</p> <ul style="list-style-type: none"> <li>1'b0: uses a first order modulator providing the best performance (default)</li> <li>1'b1: uses a second order modulator (recommended for better performance)</li> </ul>
[5:4]	adc_clk	<p>Sets the clock dividing ratio for the ADC analog section. This also affects the decimation filter stages.</p> <ul style="list-style-type: none"> <li>2'd0: ADC_CLK = CLK</li> <li>2'd1: ADC_CLK = CLK/2</li> <li>2'd2: ADC_CLK = CLK/4</li> <li>2'd3: ADC_CLK = CLK/8</li> </ul>
[3]	reserved	
[2]	adc_ditherb	<p>Allows the ADC dither to be disabled on a per ADC basis.</p> <ul style="list-style-type: none"> <li>1'b0: uses TPDF shaped dither providing the best performance (default)</li> <li>1'b1: disabled dither</li> </ul>
[1]	reserved	
[0]	adc_pdb	<p>Shuts down the ADC. Note: GPIO must be configured as ADC input for the ADC to function correctly.</p> <ul style="list-style-type: none"> <li>1'b0: shuts down the ADC (default)</li> <li>1'b1: enables the ADC analog stage</li> </ul>

Confidential - Wesion



## ES9038Q2M Datasheet



### Register 47-52: ADC Filter Configuration

The Sabre contains two decimation filters for filtering the ADC data. These filters are configurable via the ADC filter configuration registers. They are set as a low pass filter by default.

Register 47-48: ADC Filter Configuration (ftr\_scale)

Bits	[15:0]
Mnemonic	adc_ftr_scale
Default	16'd992

### Register 49-50: ADC Filter Configuration (fbq\_scale)

Bits	[15:0]
Mnemonic	adc_fbq_scale1
Default	16'd1024

### Register 51-52: ADC Filter Configuration (fbq\_scale)

Bits	[15:0]
Mnemonic	adc_fbq_scale2
Default	16'd1024

### Register 53-54: Reserved

Bits	[15:12]	[11:0]
Mnemonic	reserved	reserved
Default	4'd0	12'd3866

Bit	Mnemonic	Description
[15:0]	reserved	

Confidential - Wesion



### Register 64 (Read-Only): Chip ID and Status

Bits	[7:2]	[1]	[0]	
Mnemonic	chip_id	automute_status	lock_status	
Default	6'b01110000	1'b0	1'b0	

Bit	Mnemonic	Description
[7:2]	chip_id	Determines the chip identification.
[1]	automute_status	Indicator for when automute has become active. <ul style="list-style-type: none"> <li>1'b0: Automute condition is inactive.</li> <li>1'b1: Automute condition has been flagged and is active.</li> </ul>
[0]	lock_status	Indicator for when the DPLL is locked (when in slave mode) or 1'b1 when the Sabre is the master. <ul style="list-style-type: none"> <li>1'b0: DPLL is not locked to the incoming audio sample rate (which could mean that no audio input is present, the lock has not completed, or the Sabre is unable to lock due to clock jitter or drift).</li> <li>1'b1: DPLL is locked to the incoming audio sample rate, or the Sabre is in master mode, 128*fs mode or NCO mode</li> </ul>

Confidential - Weisorn

## ES9038Q2M Datasheet



## Register 65 (Read-Only): GPIO Readback

Bits	[7:2]	[1]	[0]
Mnemonic	reserved	gpio2	gpio1
Default	6'd0	1'b0	1'b0

Bit	Mnemonic	Description
7:2]	reserved	Hard coded to 6'd0.
[1]	gpio2	Contains the state of the GPIO2 pin.
[0]	gpio1	Contains the state of the GPIO1 pin.

## Register 66-69 (Read-Only): DPLL Number

Bits	[31:0]
Mnemonic	dpll_num
Default	32'd0

Bit	Mnemonic	Description
[31:0]	dpll_num	<p>Contains the ratio between the MCLK and the audio clock rate once the DPLL has acquired lock. This value is latched on reading the LSB, so register 66 must be read first to acquire the latest DPLL value. The value is latched on LSB because the DPLL number can be changing as the I2C transactions are performed.</p> $FSR = \frac{(dpll\_num * MCLK)}{2^{32}}$

Confidential - Revision



### Register 70-93 (Read-Only): SPDIF Channel Status/User Status

Bits	[191:0]
Mnemonic	spdif_status
Default	192'd0

Bit	Mnemonic	Description
[191:0]	spdif_status	Contains either the SPDIF channel status (table shown below) or the SPDIF user bits. This selection can be made via register 1 (spdif_load_user_bits).

Confidential - Wesion

## ES9038Q2M Datasheet



SPDIF CHANNEL STATUS – Consumer configuration									
Address Offset	[7]	[6]	[5]	[4]	[3]	[2]	[1]	[0]	
0	Reserved	Reserved	0:2Channel 1:4Channel	Reserved	0:No-Preemph 1:Preemph	0:CopyRight 1:Non-CopyRight	0:Audio 1:Data	0:Consumer 1:Professional	
1	Category Code 0x00: General 0x01: Laser-Optical 0x02: D/D Converter 0x03: Magnetic 0x04: Digital Broadcast 0x05: Musical Instrument 0x06: Present A/D Converter 0x08: Solid State Memory 0x16: Future A/D Converter 0x19: DVD 0x40: Experimental								
2	Channel Number 0x0: Don't Care 0x1: A (Left) 0x2: B (Right) 0x3: C 0x4: D 0x5: E 0x6: F 0x7: G 0x8: H 0x9: I 0xA: J 0xB: K 0xC: L 0xD: M 0xE: N 0xF: O				Source Number 0x0: Don't Care 0x1: 1 0x2: 2 0x3: 3 0x4: 4 0x5: 5 0x6: 6 0x7: 7 0x8: 8 0x9: 9 0xA: 10 0xB: 11 0xC: 12 0xD: 13 0xE: 14 0xF: 15				
3	Reserved	Reserved	Clock Accuracy 0x0: Level 2 ±1000ppm 0x1: Level 1 ±50ppm 0x2: Level 3 variable pitch shifted		Sample Frequency 0x0: 44.1k 0x2: 48k 0x3: 32k 0x4: 22.05k 0x6: 24k 0x8: 88.2k 0xA: 96k 0xC: 176.4k 0xE: 192k				
4	Reserved	Reserved	Reserved	Reserved	Word Length: If Word Field Size=0   If Word Field Size = 1 000=Not indicated   000=Not indicated 100 = 23bits   100 = 19bits 010 = 22bits   010 = 18bits 110 = 21bits   110 = 17bits 001 = 20bits   001 = 16bits 101 = 24bits   101 = 20bits			Word Field Size 0: Max 20bits 1: Max 24bits	
5-23	Reserved								



ES9038Q2M Datasheet

SPDIF CHANNEL STATUS – Professional configuration								
Address Offset	[7]	[6]	[5]	[4]	[3]	[2]	[1] [0]	
0	sampling frequency: 00: not indicated (or see byte 4) 10: 48 kHz 01: 44.1 kHz 11: 32 kHz		lock: 0: locked 1: unlocked		emphasis: 000: Emphasis not indicated 001: No emphasis 011: CD-type emphasis 111: J-17 emphasis		0:Audio 1:Non-audio	0:Consumer 1:Professional
1	User bit management: 0000: no indication 1000: 192-bit block as channel status 0100: As defined in AES18 1100: user-defined 0010: As in IEC60958-3 (consumer)				Channel mode: 0000: not indicated (default to 2 ch) 1000: 2 channel 0100: 1 channel (monophonic) 1100: primary / secondary 0010: stereo 1010: reserved for user applications 0110: reserved for user applications 1110: SCDSR (see byte 3 for ID) 0001: SCDSR (stereo left) 1001: SCDSR (stereo right) 1111: Multichannel (see byte 3 for ID)			
2	alignment level: 00: not indicated 10: –20dB FS 01: –18.06dB FS		Source Word Length: If max = 20bits        If max = 24bits 000=Not indicated   000=Not indicated 100 = 23bits        100 = 19bits 010 = 22bits        010 = 18bits 110 = 21bits        110 = 17bits 001 = 20bits        001 = 16bits 101 = 24bits        101 = 20bits		Use of aux sample word: 000: not defined, audio max 20 bits 100: used for main audio, max 24 bits 010: used for coord, audio max 20 bits 110: reserved			
3	Channel identification: if bit 7 = 0 then channel number is 1 plus the numeric value of bits 0-6 (bit reversed). if bit 7 = 1 then bits 4–6 define a multichannel mode and bits 0–3 (bit reversed) give the channel number within that mode.							
4	fs scaling: 0: no scaling 1: apply factor of 1 / 1.001 to value		Sample frequency (fs): 0000: not indicated 0001: 24kHz 0010: 96kHz 1001: 22.05kHz 1010: 88.2kHz 1011: 176.4kHz 0011: 192kHz 1111: User defined		Reserved		DARS (Digital audio reference signal): 00: not a DARS 01: DARS grade 2 (±10ppm) 10: DARS grade 1 (±1ppm) 11: Reserved	
5	Reserved							
6-9	alphanumerical channel origin: four-character label using 7-bit ASCII with no parity. Bits 55, 63, 71, 79 = 0.							
10-13	alphanumerical channel destination: four-character label using 7-bit ASCII with no parity. Bits 87, 95, 103, 111 = 0.							
14-17	local sample address code: 32-bit binary number representing the sample count of the first sample of the channel status block.							
18-21	time of day code: 32-bit binary number representing time of source encoding in samples since midnight							
22	reliability flags 0: data in byte range is reliable 1: data in byte range is unreliable							
23	CRCC 00000000: not implemented X: error check code for bits 0–183							

## ES9038Q2M Datasheet



### Register 94 (Read-Only): Reserved

Bits	[7:0]
Mnemonic	reserved
Default	8'd0

Bit	Mnemonic	Description
[7:0]	Reserved	

### Register 95 (Read-Only): Reserved

Bits	[7:0]
Mnemonic	reserved
Default	8'd0

Bit	Mnemonic	Description
[7:0]	Reserved	

Confidential - Wesion



### Register 96 (Read-Only): Input Selection and Automute Status

Bits	[7:6]	[5:4]	[3]	[2]	[1]	[0]
Mnemonic	Reserved	reserved	dop_valid	spdif_valid	i2s_select	dsd_select
Default	2'b00	2'b00	1'b0	1'b0	1'b0	1'b0

Bit	Mnemonic	Description
[7:6]	reserved	
[5:4]	reserved	
[3]	dop_valid	Contains the status of the DoP decoder. <ul style="list-style-type: none"> <li>1'b0: The DoP decoder has not detected a valid DoP signal.</li> <li>1'b1: The DoP decoder has detected a valid DoP signal on the I2S input.</li> </ul>
[2]	spdif_valid	Contains the status of the SPDIF decoder. <ul style="list-style-type: none"> <li>1'b0: The SPDIF decoder has not found a valid SPDIF signal.</li> <li>1'b1: The SPDIF decoder has detected a valid SPDIF signal.</li> </ul>
[1]	i2s_select	Contains the status of the I2S decoder. <ul style="list-style-type: none"> <li>1'b0: The I2S decoder has not found a valid frame clock or bit clock.</li> <li>1'b1: The I2S decoder has detected a valid frame clock and bit clock arrangement.</li> </ul>
[0]	dsd_select	Contains the status of the DSD decoder. <ul style="list-style-type: none"> <li>1'b0: The DSD decoder is not being used.</li> <li>1'b1: The DSD decoder is being used as a fallback option if I2S has failed to decode their respective input signals.</li> </ul>

### Register 97-99 (Read-Only): Reserved

### Register 100-102 (Read-Only): ADC Readback

Bits	[23:0]
Mnemonic	adc_ch1
Default	24'd0

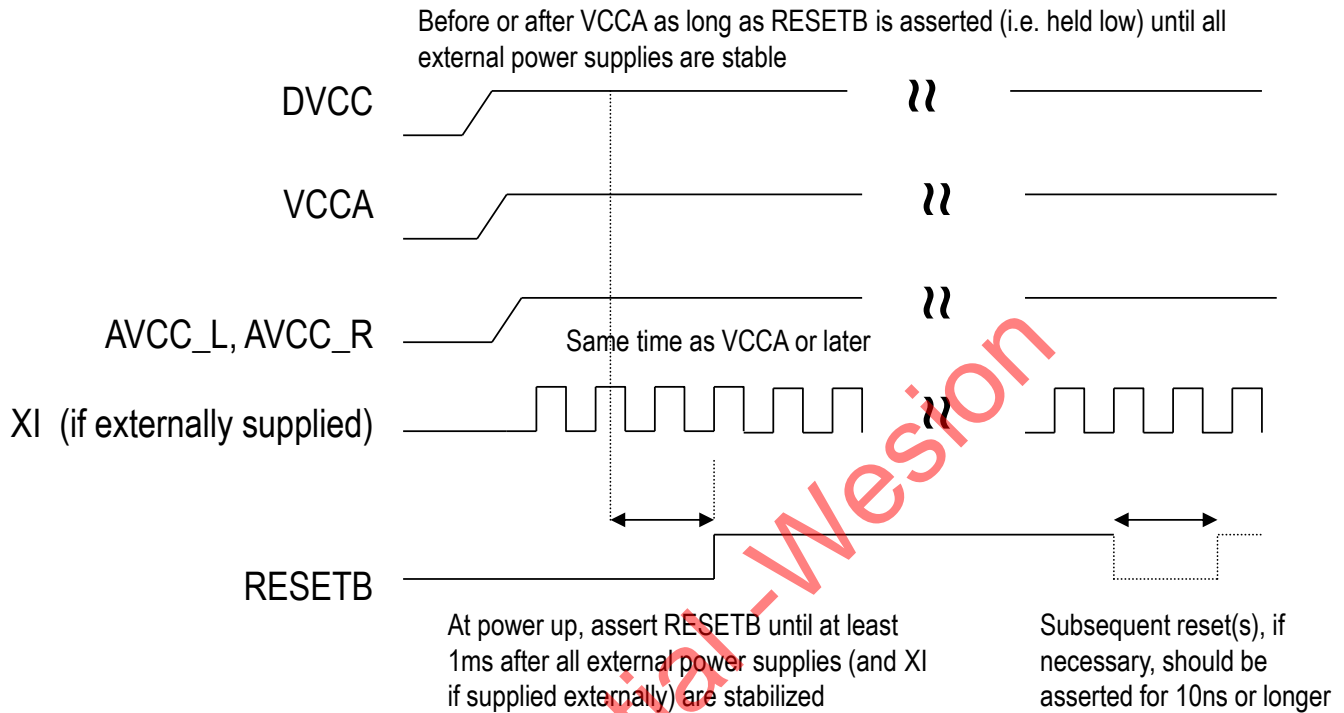
Bit	Mnemonic	Description
[23:0]	adc_ch1	A signed 24-bit number for ADC channel 1. This value is latched on the reading of the LSBs (register 100).



## ES9038Q2M Datasheet



## RECOMMENDED POWER-UP SEQUENCE





## ABSOLUTE MAXIMUM RATINGS

PARAMETER	RATING
Positive Supply Voltage (VCCA, AVCC_L, AVCC_R, DVCC)	+4.7V with respect to GND
Positive Supply Voltage (DVDD)	+1.8V with respect to GND
Output Voltage Range (DACL, DACR, DACLB, DACRB)	GND < Vout < AVCC_L/R
Storage Temperature Range	-65°C to +150°C
Operating Junction Temperature	+125°C
Voltage range for Digital Input Pins (non 5V tolerant)	-0.3V to DVCC+ 0.3V
Voltage range for Digital Input Pins (5V tolerant)	-0.3V to +5.3V
ESD Protection	
Human Body Model (HBM)	2000V
Charged Device Model (CDM)	500V

WARNING: Stresses beyond those listed under "Absolute Maximum Ratings" may cause permanent damage to the device. These are stress ratings only and functional operation of the device at these or any other conditions beyond those indicated under "recommended operating conditions" is not implied. Exposure to absolute-maximum-rated conditions for extended periods may affect device reliability.

WARNING: Electrostatic Discharge (ESD) can damage this device. Proper procedures must be followed to avoid ESD when handling this device.

## RECOMMENDED OPERATING CONDITIONS

PARAMETER	SYMBOL	CONDITIONS
Operating temperature	T <sub>A</sub>	-20°C to +70°C

Power Supply	Symbol	Voltage	Nominal current / power consumption	
			Normal Mode (Note 1)	Standby Mode (Notes 2)
Analog core	VCCA	+3.3V ±5%	2 mA	900 uA
Analog power	AVCC_L AVCC_R	+3.3V ±5%	6 mA	
Internal digital core	DVDD	+1.2V (typical)	Internally supplied	
Low-power / 1.8V logic system				
Digital power	DVCC	+1.8V ±5%	7 mA	4 uA
Total power		DVCC=1.8V	40 mW	1.3 mW
General purpose / 3.3V logic system				
Digital power	DVCC	+3.3V ±5%	8 mA	1.2 mA
Total power		DVCC=3.3V	53 mW	5 mW

### Notes

- 1) f<sub>s</sub> = 44.1kHz, XI = 38MHz, MCLK=9.5MHz, 0dB 1kHz output, I<sup>2</sup>S input, output unloaded, internal DVDD, all external supply voltages at nominal center values
- 2) Measured with RESETB held low, XI and I2S interface held low

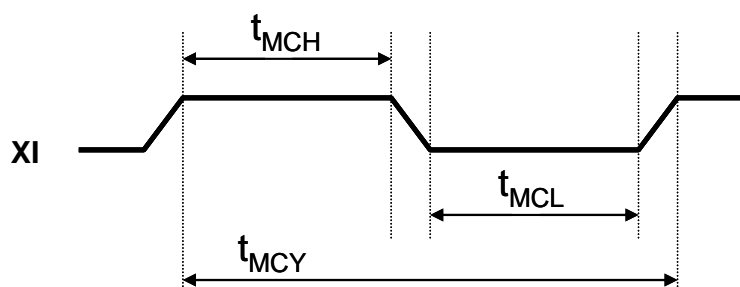
## DC ELECTRICAL CHARACTERISTICS

Symbol	Parameter	Minimum	Maximum	Unit	Comments
V <sub>IH</sub>	High-level input voltage	DVCC / 2 + 0.4		V	
V <sub>IL</sub>	Low-level input voltage		0.4	V	
V <sub>OH</sub>	High-level output voltage	DVCC - 0.2		V	I <sub>OH</sub> = 100μA
V <sub>OL</sub>	Low-level output voltage		0.2	V	I <sub>OL</sub> = 100μA

## ES9038Q2M Datasheet

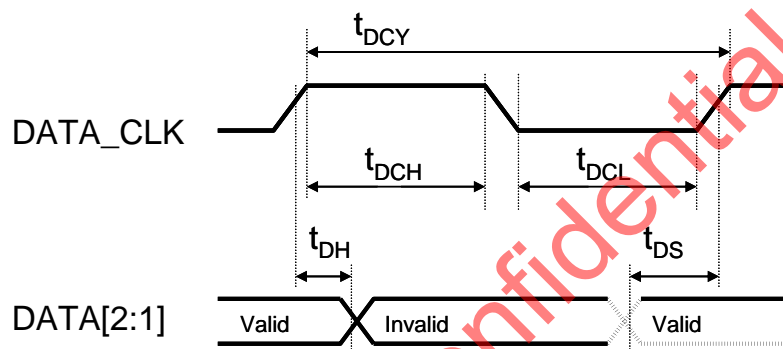


## XI Timing



Parameter	Symbol	Min	Max	Unit
XI pulse width high	$T_{MCH}$	4.5		ns
XI pulse width low	$T_{MCL}$	4.5		ns
XI cycle time	$T_{MCY}$	10		ns
XI duty cycle		45:55	55:45	

## Audio Interface Timing



Parameter	Symbol	Min	Max	Unit
DATA_CLK pulse width high	$t_{DCH}$	4.5		ns
DATA_CLK pulse width low	$t_{DCL}$	4.5		ns
DATA_CLK cycle time	$t_{DCY}$	10		ns
DATA_CLK duty cycle		45:55	55:45	
DATA set-up time to DATA_CLK rising edge	$t_{DS}$	4.1		ns
DATA hold time to DATA_CLK rising edge	$t_{DH}$	2		ns

## Notes:

- Audio data on DATA[2:1] are sampled at the rising edges of DATA\_CLK and must satisfy the setup and hold time requirements relative to the rising edge of DATA\_CLK
- For DSD Phase mode ([Native DSD Format](#)), the normal data (D0, D1, D2... in) must satisfy the setup and hold time requirements relative to the rising edge of DATA\_CLK. The complimentary data ( $\overline{D0}$ ,  $\overline{D1}$ , etc.) will be ignored.



## ANALOG PERFORMANCE

### Test Conditions (unless otherwise stated)

- $T_A = 25^\circ\text{C}$ ,  $AVCC = VCCA = DVCC = +3.3\text{V}$ , internal DVDD with  $4.7\mu\text{F} \pm 20\%$  decoupling,  $f_s = 44.1\text{kHz}$ ,  $MCLK = 27\text{MHz}$  & 32-bit data
- $SNR/DNR$ : A-weighted over 20Hz-20kHz in averaging mode  
 $THD+N$ : un-weighted over 20Hz-20kHz bandwidth

PARAMETER	CONDITIONS	MIN	TYP	MAX	UNIT		
Resolution			32		Bits		
XI Frequency				100M	Hz		
MCLK (PCM normal mode)	Custom FIR mode Asynchronous mode Synchronous mode	256FSR 192FSR 128FSR		$\frac{XI}{2^{clk\_gear}}$	Hz		
MCLK (PCM OSF bypass mode)	Asynchronous mode Synchronous mode	24FSR 16FSR					
MCLK (DSD mode)	Asynchronous mode Synchronous mode	3FSR 2FSR					
MCLK (SPDIF mode)		386FSR					
FSR (PCM normal mode)	Asynchronous mode Synchronous mode					384k 768k	Hz
FSR (PCM OSF bypass mode)						1.536M	Hz
FSR (DSD mode)	Asynchronous mode Synchronous mode			11.3M 22.6M	Hz		
FSR (SPDIF mode)				192k	Hz		
<b>DYNAMIC PERFORMANCE</b>							
DNR (differential current mode)		-60dBFS		129	dB-A		
THD+N (differential current mode)		0dBFS		-120	dB		
<b>ANALOG OUTPUT (per + or - pin of each differential DAC output pair)</b>							
Output impedance ( $R_{DAC}$ )			$774 \pm 11\%$		$\Omega$		
Voltage mode output range ( $V_{OPP}$ )	Full-scale out		$0.906 \times AVCC$		Vp-p		
Voltage mode output offset ( $V_{OCM}$ )	Bipolar zero out		$AVCC / 2$		V		
Current mode output range	Full-scale out		$1000 \times V_{OPP} / R_{DAC}$		mAp-p		
Current mode output offset	Bipolar zero out to virtual ground at voltage $V_G$ (V)		$1000 \times (V_{OPP} - V_G) / R_{DAC}$		mA		
<b>Digital Filter Performance</b>							
De-emphasis error				$\pm 0.2$	dB		
Mute Attenuation				-127	dB		

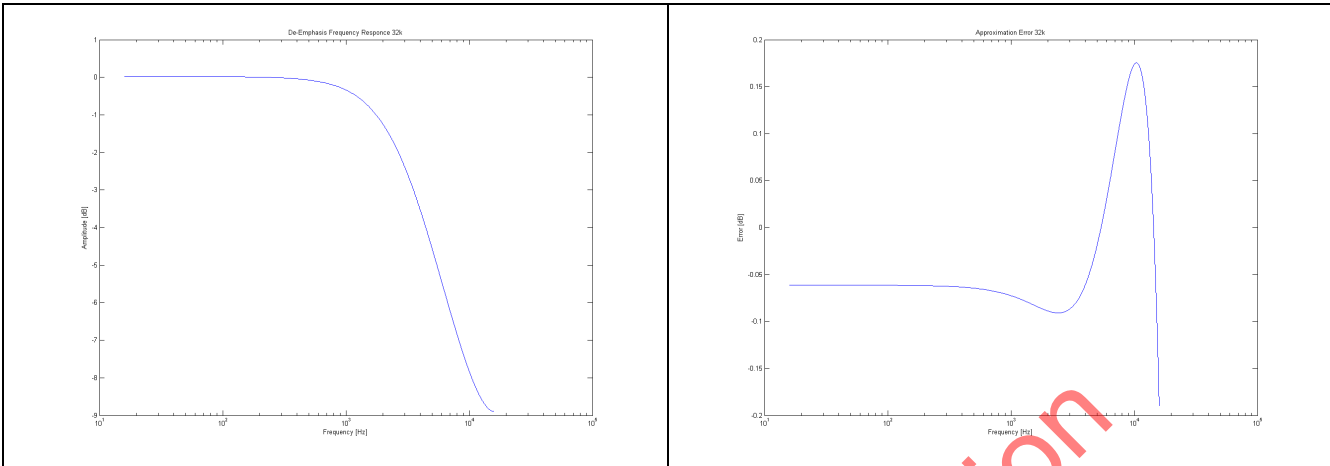
## ES9038Q2M Datasheet



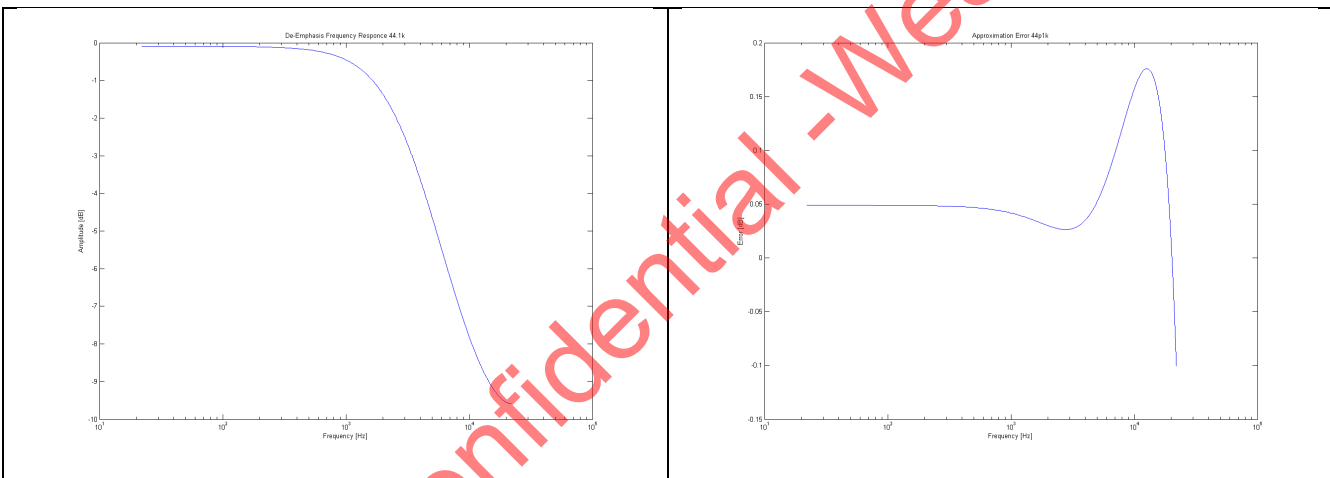
PARAMETER	CONDITIONS	MIN	TYP	MAX	UNIT
<b>PCM Filter Characteristics (Linear Phase Fast Roll Off)</b>					
Pass band	$\pm 0.002\text{dB}$			$0.453 \times f_s$	Hz
	$-3\text{dB}$			$0.484 \times f_s$	Hz
Stop band	$< -120\text{dB}$	$0.55 \times f_s$			Hz
Group Delay			$35 / f_s$		s
<b>PCM Filter Characteristics (Linear Phase Slow Roll Off)</b>					
Pass band	$\pm 0.01\text{dB}$			$0.357 \times f_s$	Hz
	$-3\text{dB}$			$0.450 \times f_s$	Hz
Stop band	$< -82\text{dB}$	$0.639 \times f_s$			Hz
Group Delay			$8.75 / f_s$		s
<b>PCM Filter Characteristics (Minimum Phase Fast Roll Off)</b>					
Pass band	$\pm 0.005\text{dB}$			$0.453 \times f_s$	Hz
	$-3\text{dB}$			$0.491 \times f_s$	Hz
Stop band	$< -100\text{dB}$	$0.547 \times f_s$			Hz
Group Delay			$5.4 / f_s$		s
<b>PCM Filter Characteristics (Minimum Phase Slow Roll Off)</b>					
Pass band	$\pm 0.015\text{dB}$			$0.363 \times f_s$	Hz
	$-3\text{dB}$			$0.435 \times f_s$	Hz
Stop band	$< -97\text{dB}$	$0.634 \times f_s$			Hz
Group Delay			$3.5 / f_s$		s
<b>PCM Filter Characteristics (Apodizing Fast Roll Off)</b>					
Pass band	$\pm 0.075\text{dB}$			$0.409 \times f_s$	Hz
	$-3\text{dB}$			$0.461 \times f_s$	Hz
Stop band	$< -80\text{dB}$	$0.5 \times f_s$			Hz
	$< -100\text{dB}$	$0.66 \times f_s$			Hz
Group Delay			$35 / f_s$		s
<b>PCM Filter Characteristics (Hybrid Fast Roll Off)</b>					
Pass band	$\pm 0.01\text{dB}$			$0.404 \times f_s$	Hz
	$-3\text{dB}$			$0.430 \times f_s$	Hz
Stop band	$< -94.5\text{dB}$	$0.504 \times f_s$			Hz
	$< -106\text{dB}$	$0.513 \times f_s$			Hz
Group Delay			$18.5 / f_s$		s
<b>PCM Filter Characteristics (Brick Wall)</b>					
Pass band	$\pm 0.015\text{dB}$			$0.435 \times f_s$	Hz
	$-3\text{dB}$			$0.451 \times f_s$	Hz
Stop band	$< -100\text{dB}$	$0.5 \times f_s$			Hz
Group Delay			$35 / f_s$		s



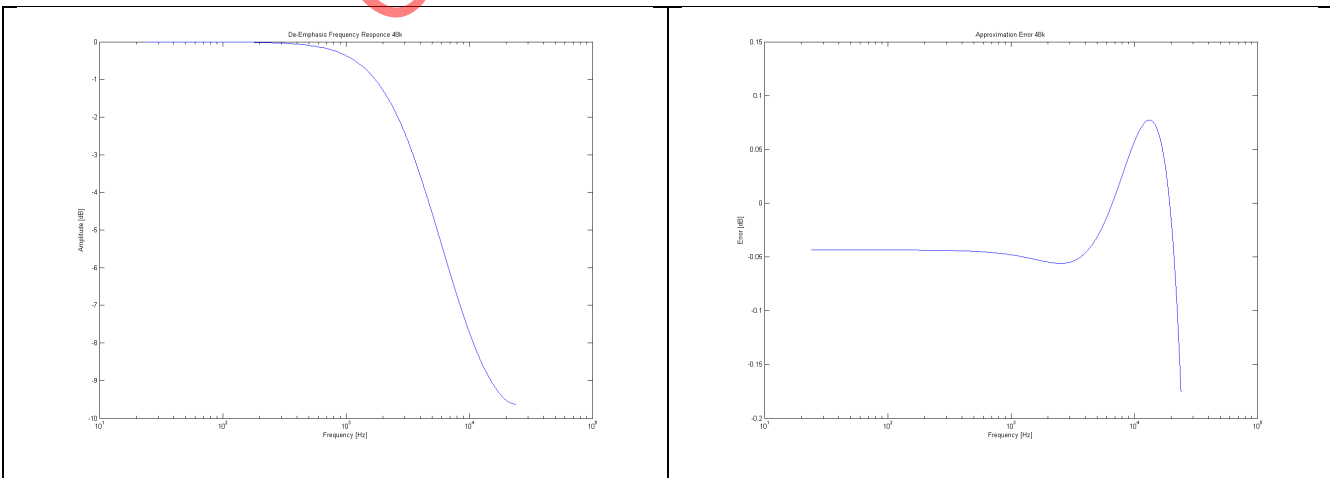
### PCM DE-EMPHASIS FILTER RESPONSE (32kHz)



### PCM DE-EMPHASIS FILTER RESPONSE (44.1kHz)



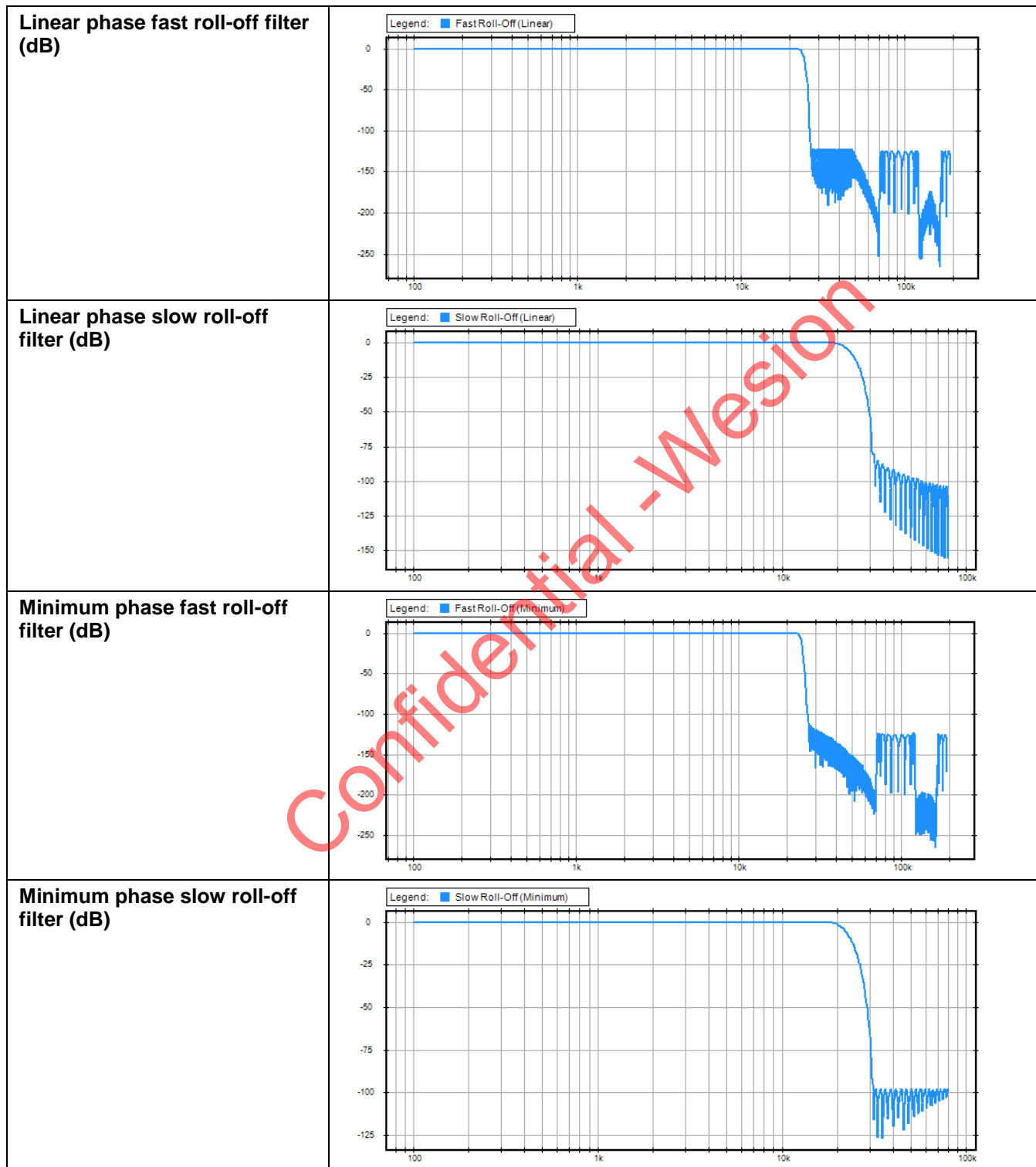
### PCM DE-EMPHASIS FILTER RESPONSE (48kHz)



## ES9038Q2M Datasheet

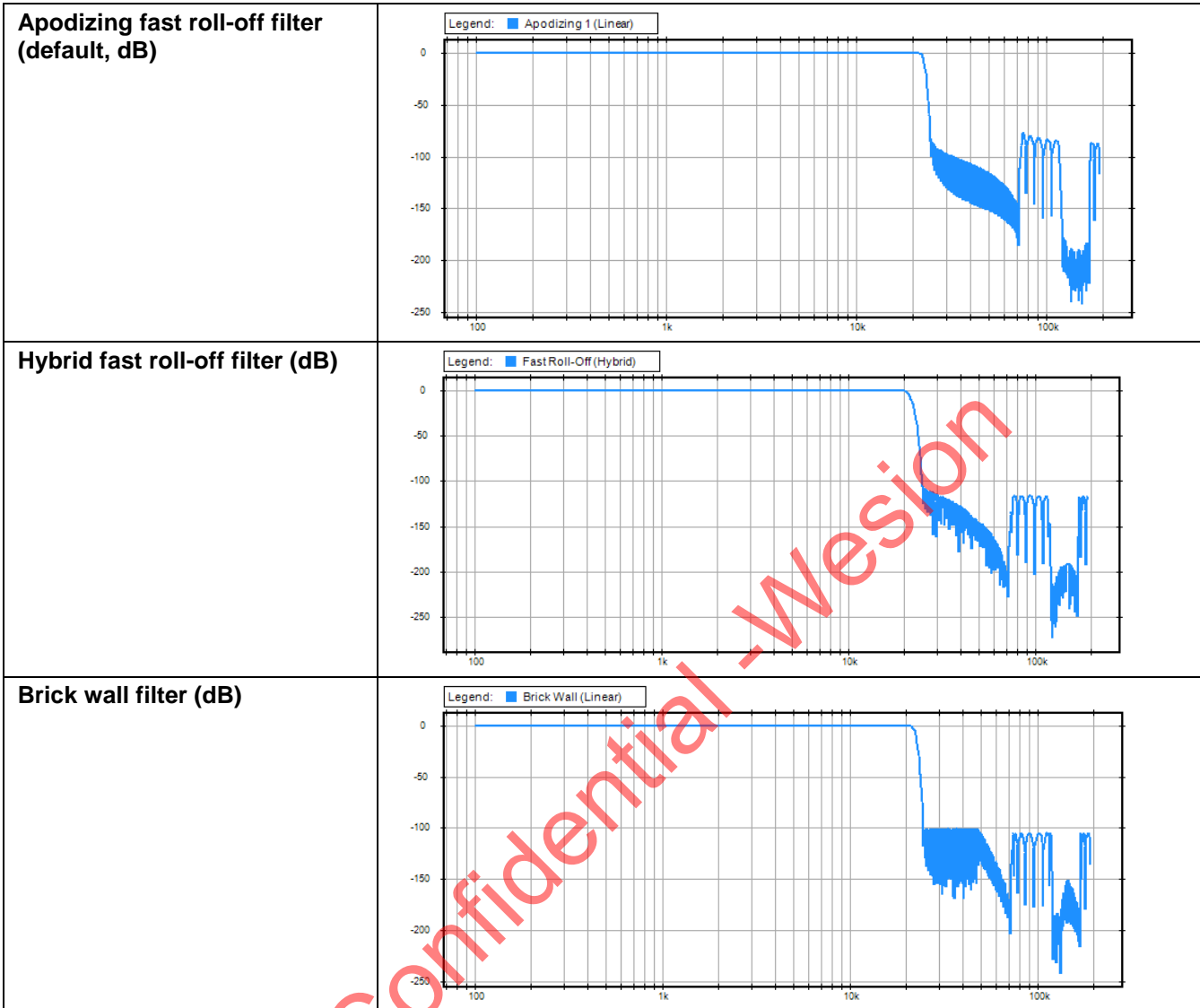


## PCM FILTER FREQUENCY RESPONSE





ES9038Q2M Datasheet



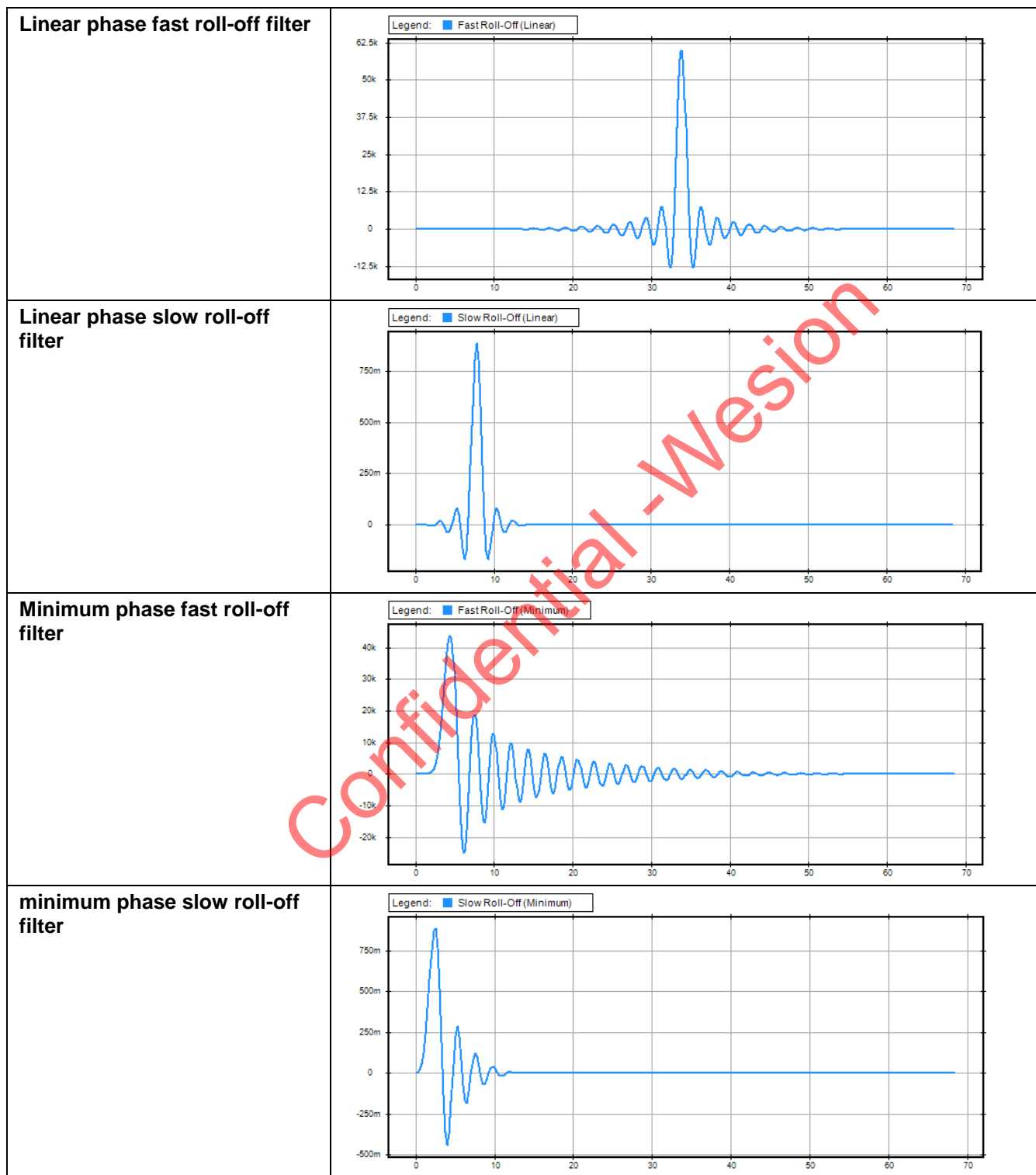
Unit: fs (Hz) / 48000



## ES9038Q2M Datasheet

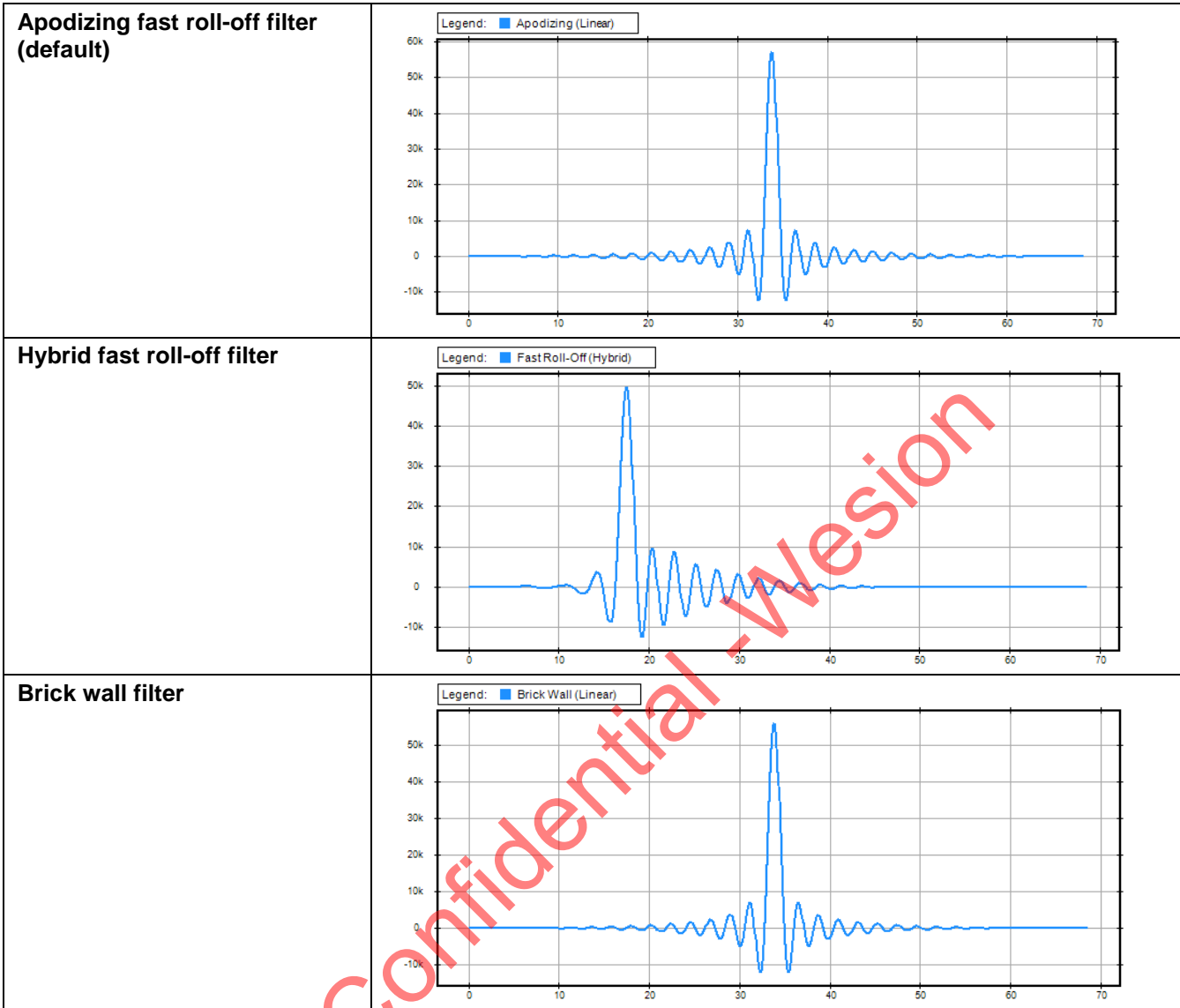


## PCM FILTER IMPULSE RESPONSE





ES9038Q2M Datasheet



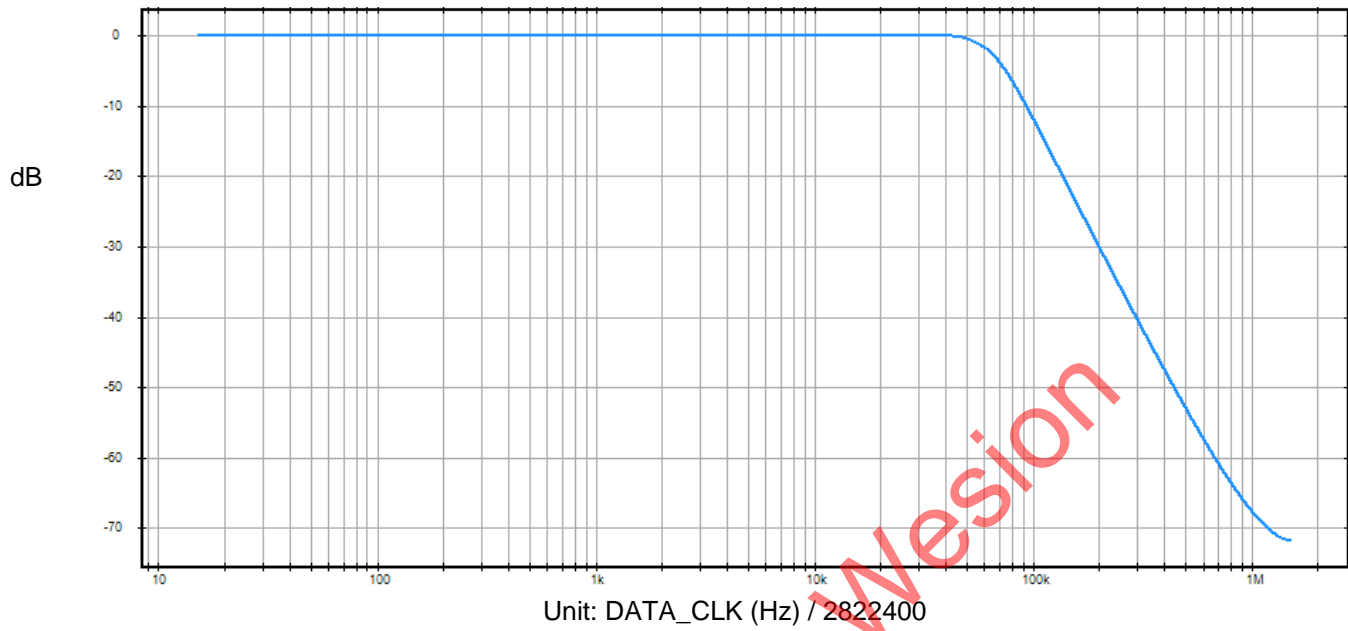
Unit: 1/fs (s)

Confidential - Wesion

# ES9038Q2M Datasheet



## DSD FILTER RESPONSE

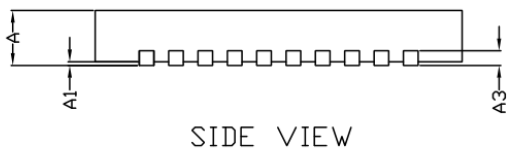
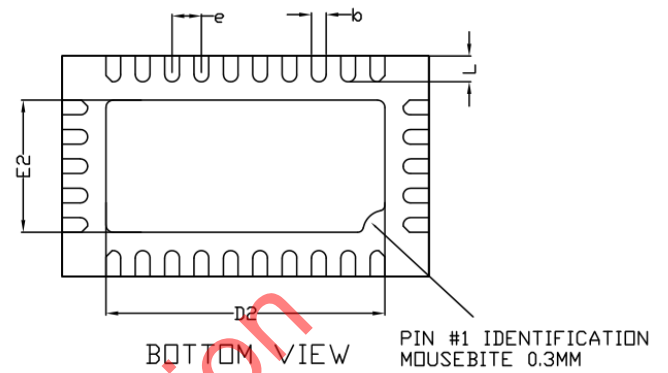
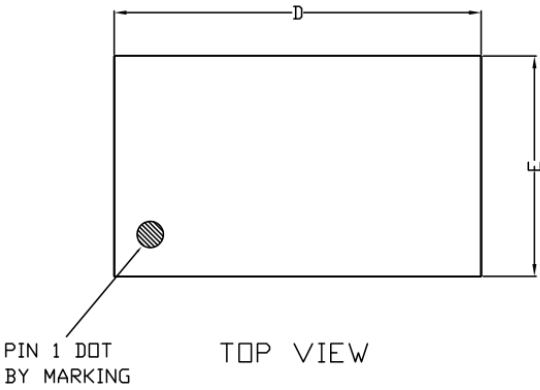


Confidential - Wesion



ES9038Q2M Datasheet

30-Pin QFN Mechanical Dimensions



Lead finish : NiPdAu

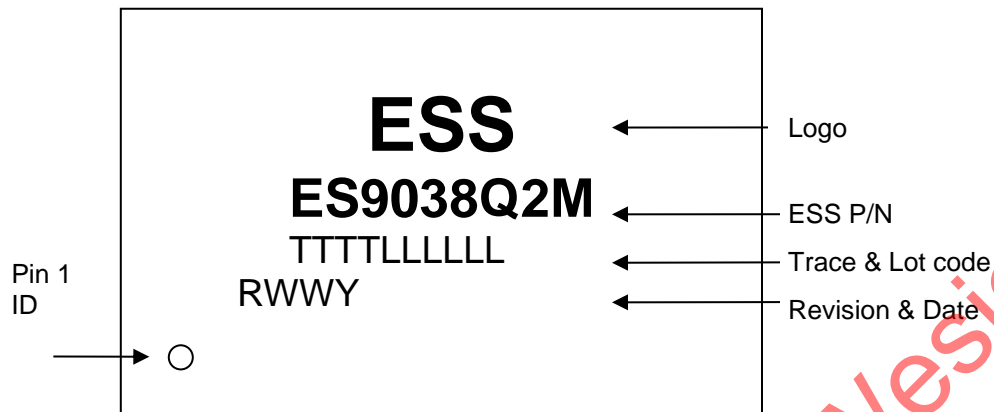
COMMON DIMENSIONS(MM)			
PKG. REF.	W:VERY VERY THIN		
	MIN.	NDM.	MAX
A	0.70	0.75	0.80
A1	0.00	-	0.05
A3	0.2 REF.		
D	4.95	5.00	5.05
E	2.95	3.00	3.05
b	0.15	0.20	0.25
L	0.25	0.35	0.45
D2	3.75	3.80	3.85
E2	1.75	1.80	1.85
e	0.40 BSC		

Confidential - Invision

# ES9038Q2M Datasheet



## ES9038Q2M Marking Specification



Confidential - Wesion



## Reflow Process Considerations

For lead-free soldering, the characterization and optimization of the reflow process is the most important factor you need to consider.

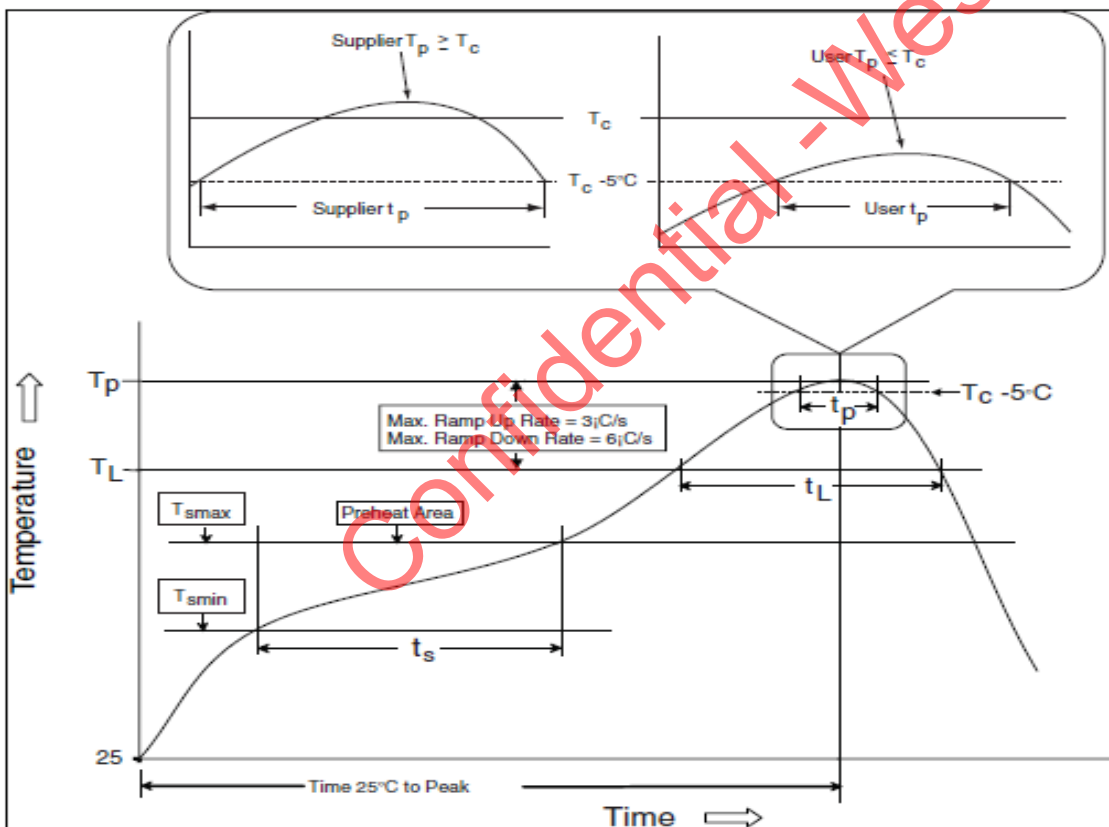
The lead-free alloy solder has a melting point of 217°C. This alloy requires a minimum reflow temperature of 235°C to ensure good wetting. The maximum reflow temperature is in the 245°C to 260°C range, depending on the package size (*Table RPC-2*). This narrows the process window for lead-free soldering to 10°C to 20°C.

The increase in peak reflow temperature in combination with the narrow process window makes the development of an optimal reflow profile a critical factor for ensuring a successful lead-free assembly process. The major factors contributing to the development of an optimal thermal profile are the size and weight of the assembly, the density of the components, the mix of large and small components, and the paste chemistry being used.

Reflow profiling needs to be performed by attaching calibrated thermocouples well adhered to the device as well as other critical locations on the board to ensure that all components are heated to temperatures above the minimum reflow temperatures and that smaller components do not exceed the maximum temperature limits (*Table RPC-2*).

To ensure that all packages can be successfully and reliably assembled, the reflow profiles studied and recommended by ESS are based on the JEDEC/IPC standard J-STD-020 revision D.1.

**Figure RPC-1.** IR/Convection Reflow Profile (IPC/JEDEC J-STD-020D.1)



**Note:** Reflow is allowed 3 times. Caution must be taken to ensure time between re-flow runs does not exceed the allowed time by the moisture sensitivity label. If the time elapsed between the re-flows exceeds the moisture sensitivity time bake the board according to the moisture sensitivity label instructions.

### Manual Soldering:

Allowed up to 2 times with maximum temperature of 350 degrees no longer than 3 seconds.

## ES9038Q2M Datasheet



## Table RPC-1 Classification reflow profile

Profile Feature	Pb-Free Assembly
<b>Preheat/Soak</b>	
Temperature Min (T <sub>min</sub> )	150°C
Temperature Max (T <sub>max</sub> )	200°C
Time (ts) from (T <sub>min</sub> to T <sub>max</sub> )	60-120 seconds
Ramp-up rate (TL to Tp)	3°C / second max.
Liquidous temperature (TL)	217°C
Time (tL) maintained above TL	60-150 seconds
Peak package body temperature (Tp)	For users Tp must not exceed the classification temp in Table RPC-2. For suppliers Tp must equal or exceed the Classification temp in Table RPC-2.
Time (tp)* within 5°C of the specified classification temperature (Tc), see Figure RPC-1	30* seconds
Ramp-down rate (Tp to TL)	6°C / second max.
Time 25°C to peak temperature	8 minutes max.
* Tolerance for peak profile temperature (Tp) is defined as a supplier minimum and a user maximum.	

**Note 1:** All temperatures refer to the center of the package, measured on the package body surface that is facing up during assembly reflow (e.g., live-bug). If parts are reflowed in other than the normal live-bug assembly reflow orientation (i.e., dead-bug), Tp **shall** be within  $\pm 2^\circ\text{C}$  of the live-bug Tp and still meet the Tc requirements, otherwise, the profile **shall** be adjusted to achieve the latter. To accurately measure actual peak package body temperatures refer to JEP140 for recommended thermocouple use.

**Note 2:** Reflow profiles in this document are for classification/preconditioning and are not meant to specify board assembly profiles. Actual board assembly profiles should be developed based on specific process needs and board designs and should not exceed the parameters in Table RPC-1. For example, if Tc is 260°C and time tp is 30 seconds, this means the following for the supplier and the user.  
For a supplier: The peak temperature must be at least 260°C. The time above 255°C must be at least 30 seconds.  
For a user: The peak temperature must not exceed 260°C. The time above 255°C must not exceed 30 seconds.

**Note 3:** All components in the test load **shall** meet the classification profile requirements.

## Table RPC-2 Pb-Free Process – Classification Temperatures (Tc)

Package Thickness	Volume mm <sup>3</sup> , <350	Volume mm <sup>3</sup> , 350 to 2000	Volume mm <sup>3</sup> , >2000
<1.6 mm	260°C	260°C	260°C
1.6 mm – 2.5 mm	260°C	250°C	245°C
>2.5 mm	250°C	245°C	245°C

**Note 1:** At the discretion of the device manufacturer, but not the board assembler/user, the maximum peak package body temperature (Tp) can exceed the values specified in Table RPC-2. The use of a higher Tp does not change the classification temperature (Tc).

**Note 2:** Package volume excludes external terminals (e.g., balls, bumps, lands, leads) and/or non-integral heat sinks.

**Note 3:** The maximum component temperature reached during reflow depends on package thickness and volume. The use of convection reflow processes reduces the thermal gradients between packages. However, thermal gradients due to differences in thermal mass of SMD packages may still exist.



## ORDERING INFORMATION

Part Number	Description	Package
ES9038Q2M	Sabre <sup>32</sup> Reference 32-Bit, 2-Channel, Mobile Audio DAC	30-pin QFN

The letter Q identifies the package type QFN

## Revision History

Rev.	Date	Notes
0.2	April 26, 2016	Correct package drawing
0.3	May 5, 2016	Update chip and system block diagrams Update master mode diagram Update power up sequence diagram
0.4	June 14, 2016	Correct master_div ratios Update automute description Update 128fs mode description Update relationship among XI, MCLK and Clock Gearing Clarify I2C does not support multibyte read Update Analog Performance table Update dpll_num description Update charge pump clock description Update lock_speed description Update volume ramp rate Update part number in header and block diagrams
0.5	July 18, 2016	General updates Update functional description Update I2C hold time Update Analog Performance table Update power consumption
0.6	August 4, 2016	Add headphone control description Change hyperlink color General update
0.61	August 10, 2016	Update power consumption
0.62	September 20, 2016	Update power consumption
0.63	September 6, 2017	Updated Register 14 [7]
0.7	September 22, 2017	Updated Register 27 [3]
0.8	October 18, 2017	Updated Register 8 GPIO listing, updated error on Pin Layout
0.9	November 28, 2017	Remove ESS logo from pin diagram.

ESS IC's are not intended, authorized, or warranted for use as components in military applications, medical devices or life support systems. ESS assumes no liability whatsoever and disclaims any expressed, implied or statutory warranty for use of ESS IC's in such unsuitable applications.

No part of this publication may be reproduced, stored in a retrieval system, transmitted, or translated in any form or by any means, electronic, mechanical, manual, optical, or otherwise, without the prior written permission of ESS Technology, Inc. ESS Technology, Inc. makes no representations or warranties regarding the content of this document. All specifications are subject to change without prior notice. ESS Technology, Inc. assumes no responsibility for any errors contained herein. U.S. patents pending.