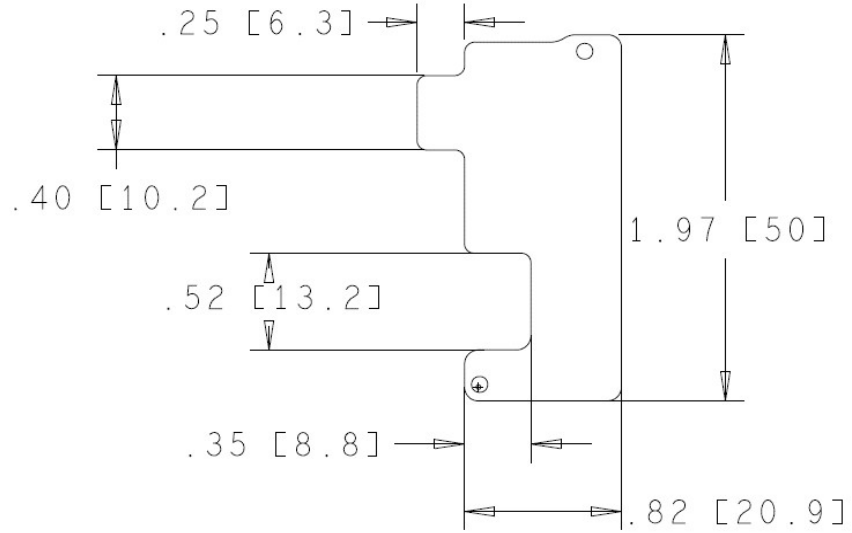




Juice Specifications



Model	Juice Charge Module
Charge IC	BQ25703ARSNR
Gauge IC	CW2015CSAD
Battery	2-cell Battery (7.4V)
Battery Connector	Molex 537800670
Mount Holes	M2
Dimensions	50.0 x 27.2 x 3.5 mm
Weight	3.1g
RoHS Compliance	Yes
Compatibility	Edge-V