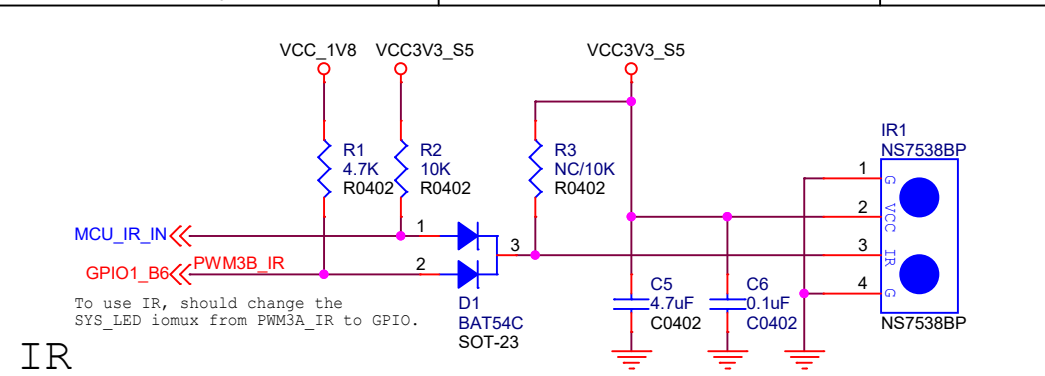




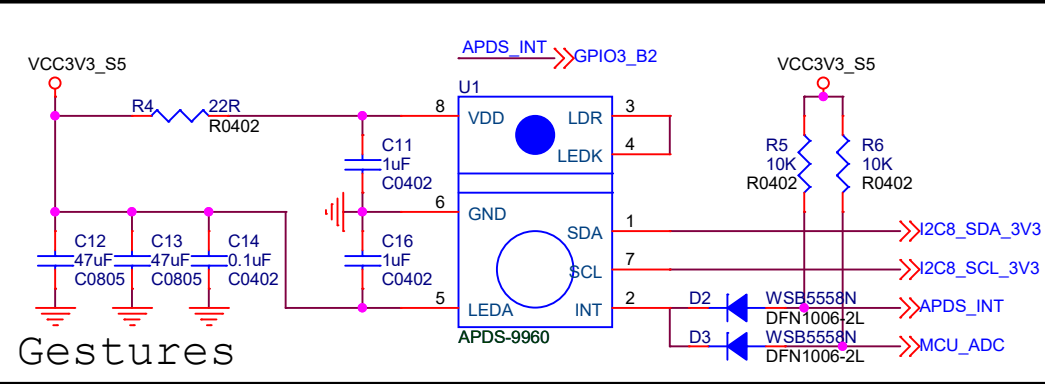
KHADAS

Something a little different.

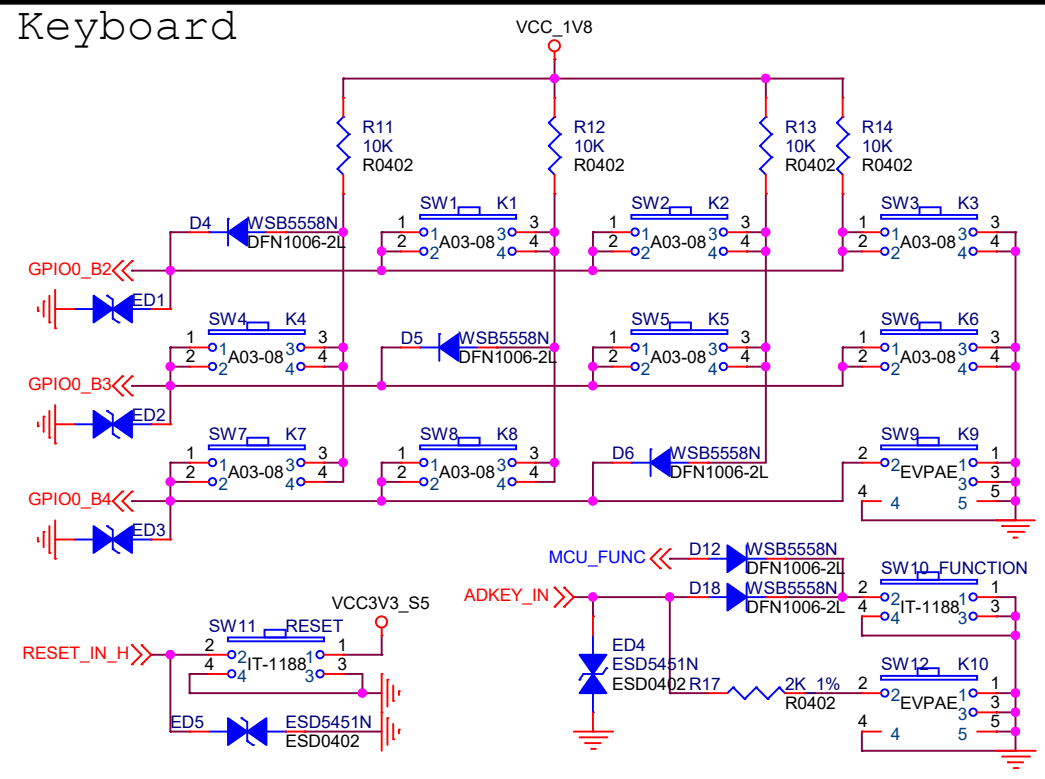
Shenzhen Wesion Technology Co., Ltd.			
<b>Project:</b>	Captain		
<b>File:</b>	Khadas		
<b>Date:</b>	Sunday, April 07, 2019	<b>Rev:</b>	V12
<b>Designed by:</b>	Gouwa	<b>Sheet:</b>	1 of 8



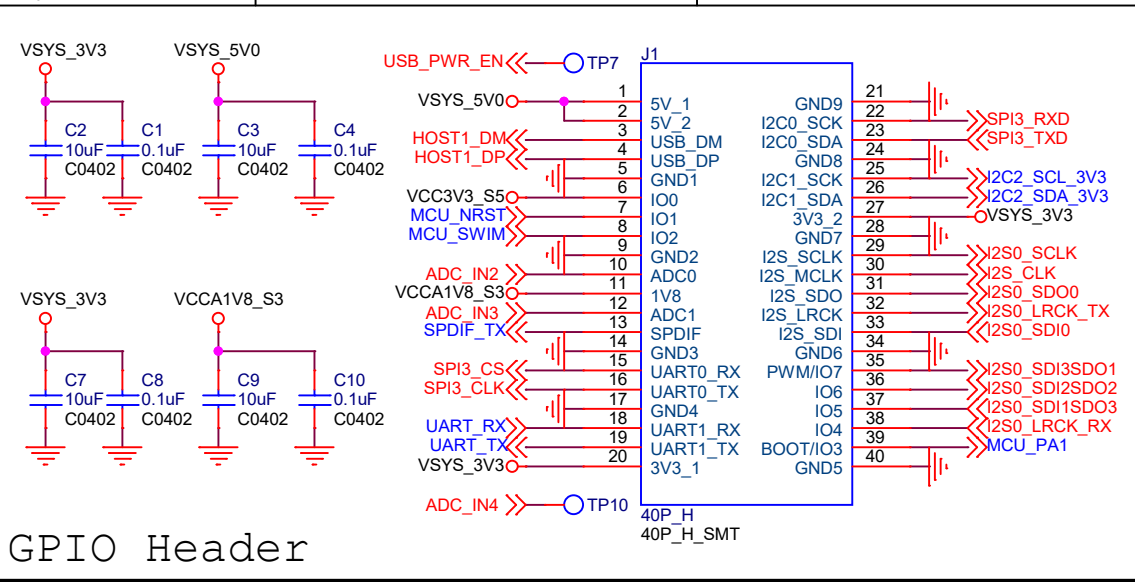
IR



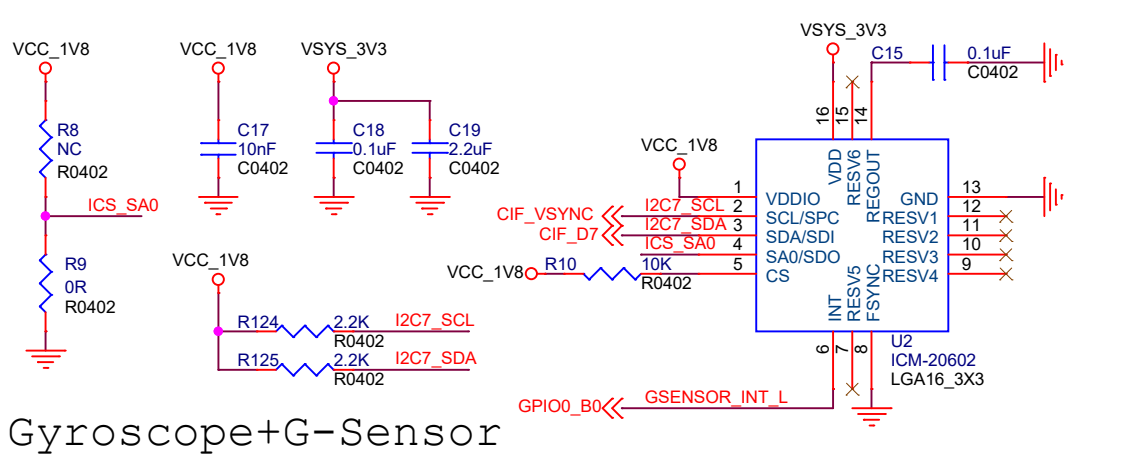
Gestures



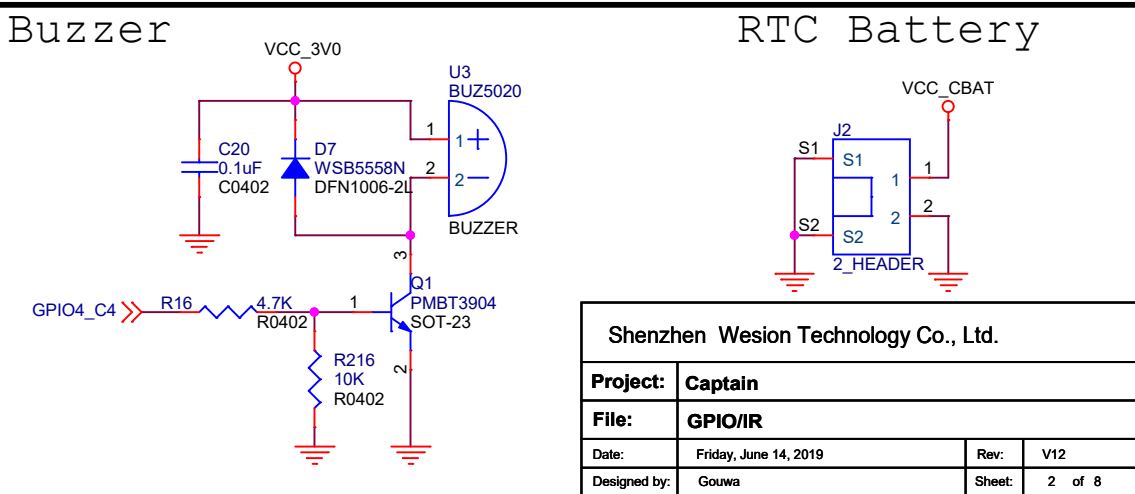
Keyboard



GPIO Header



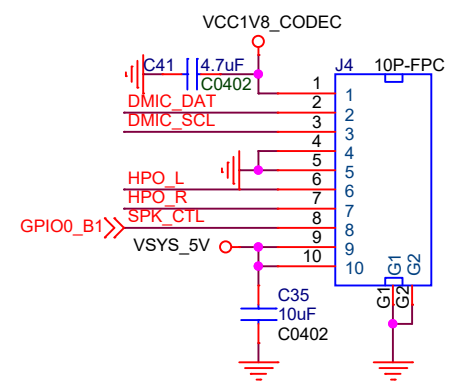
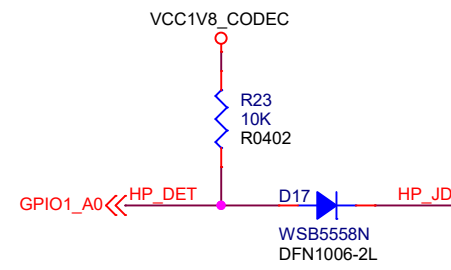
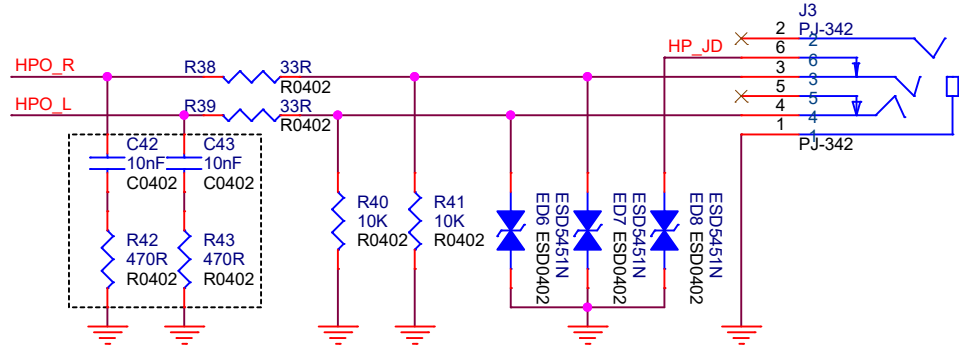
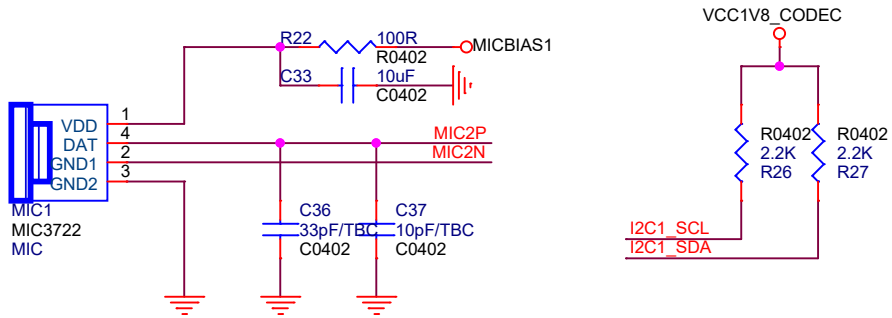
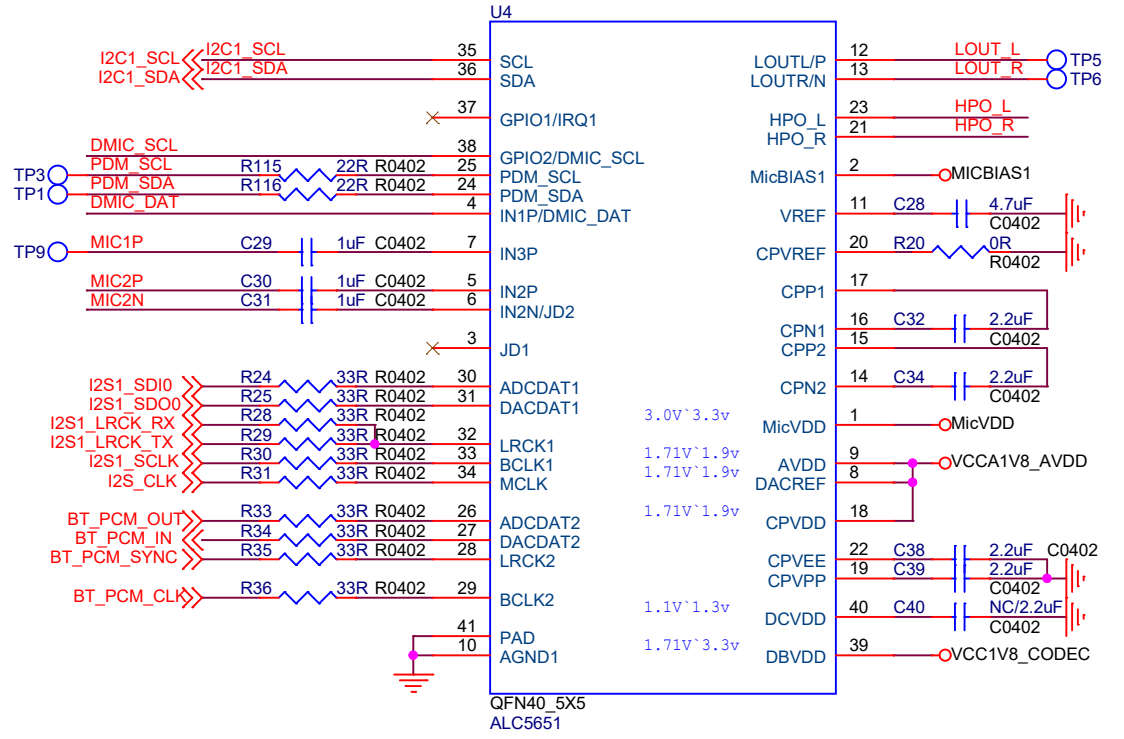
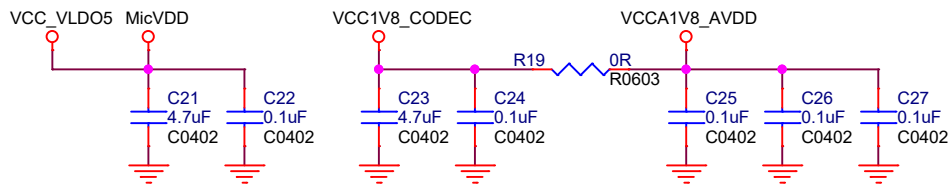
Gyroscope+G-Sensor



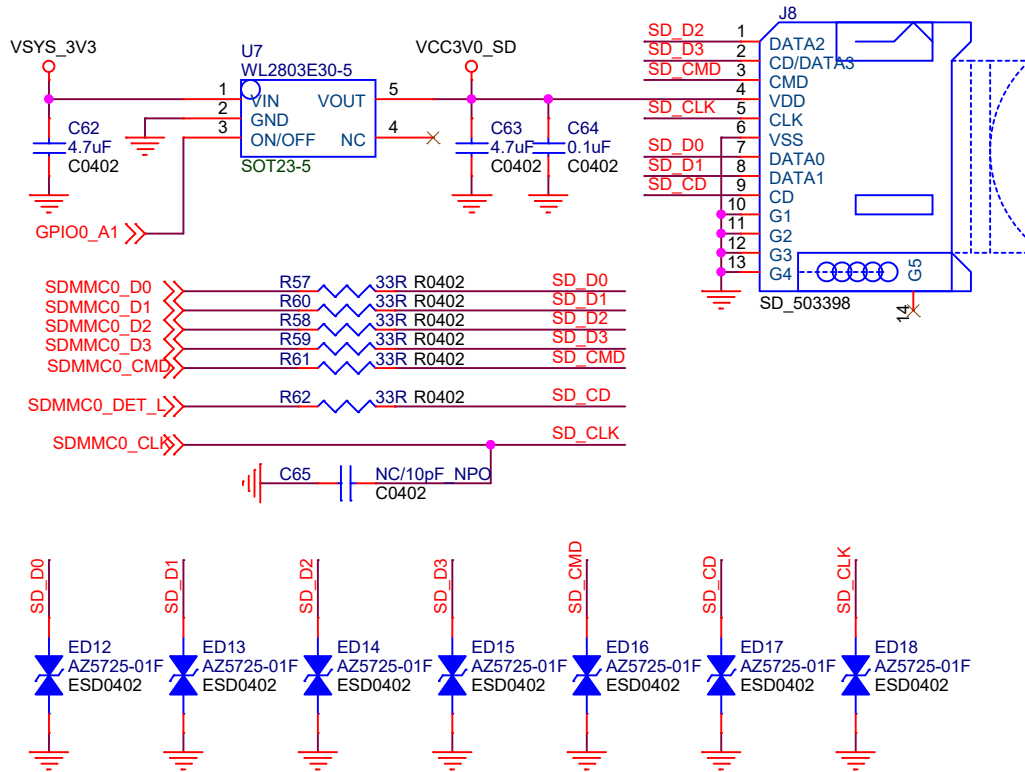
Buzzer

RTC Battery

Shenzhen Wesion Technology Co., Ltd.			
Project:	Captain		
File:	GPIO/IR		
Date:	Friday, June 14, 2019	Rev:	V12
Designed by:	Gouwa	Sheet:	2 of 8

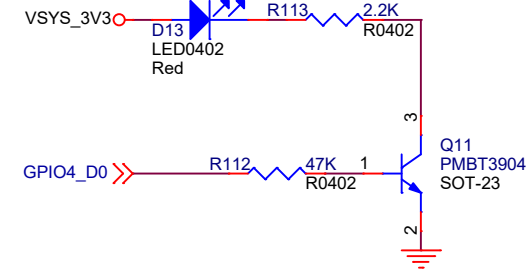
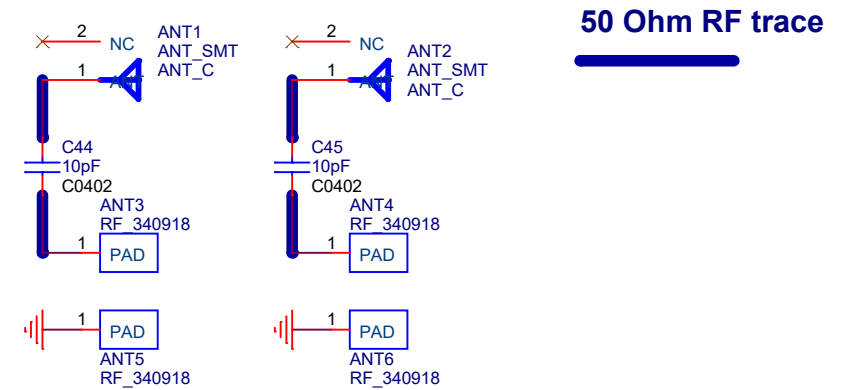


Shenzhen Wesion Technology Co., Ltd.			
<b>Project:</b>	Captain		
<b>File:</b>	Audio Codec		
<b>Date:</b>	Friday, June 14, 2019	<b>Rev:</b>	V12
<b>Designed by:</b>	Gouwa	<b>Sheet:</b>	3 of 8



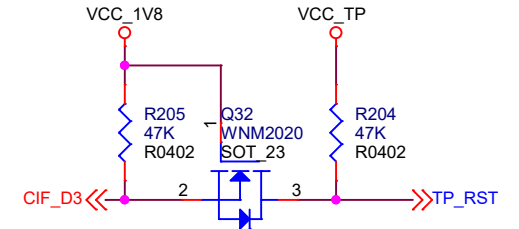
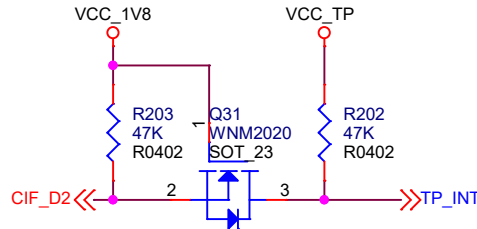
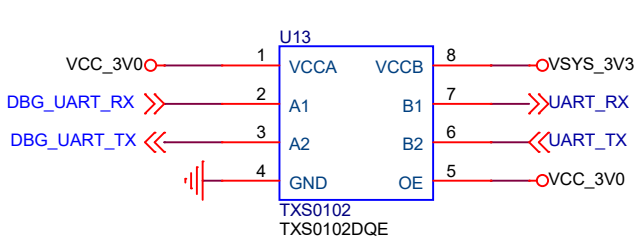
TF Card

Antenna

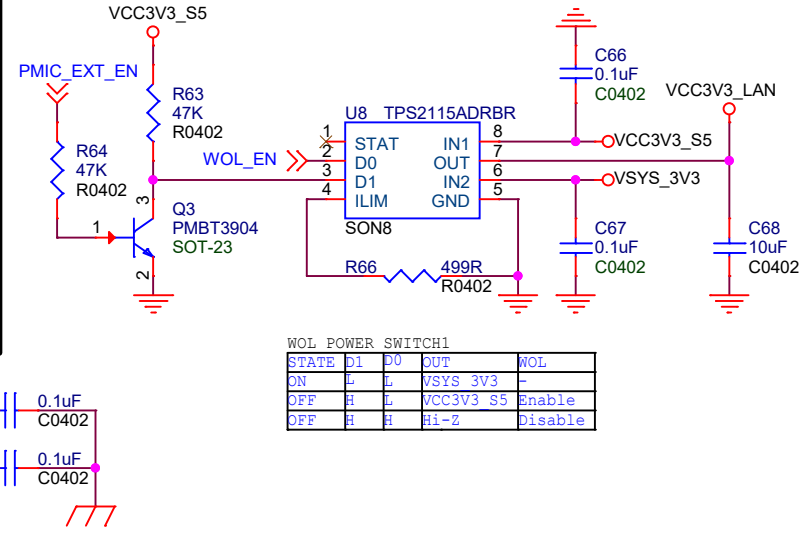
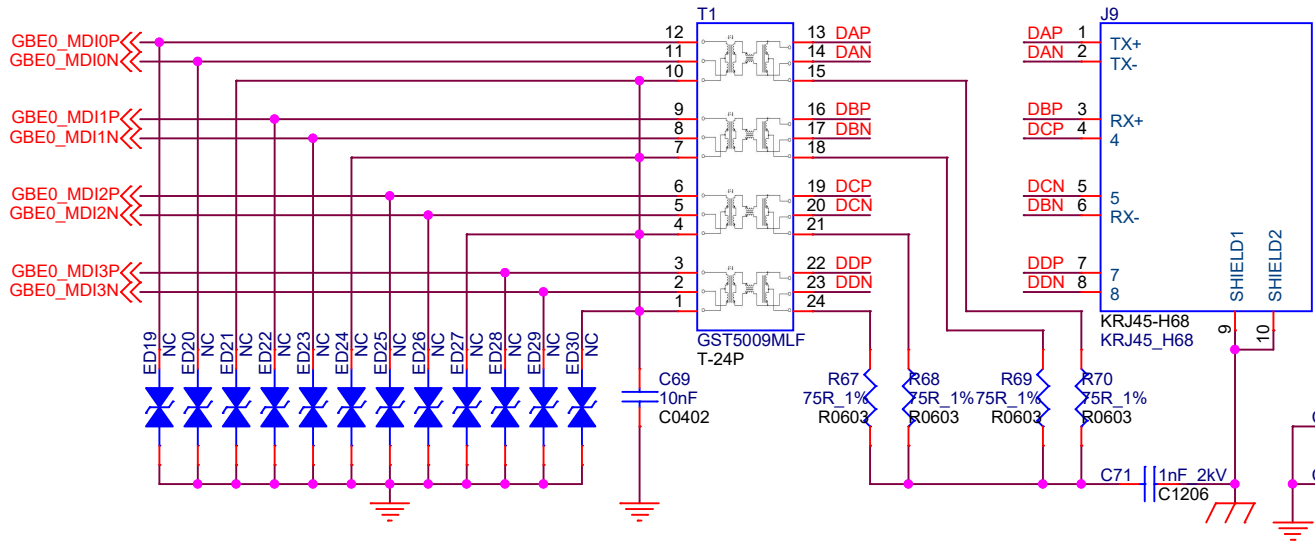


LED

### Voltage-Level Translator

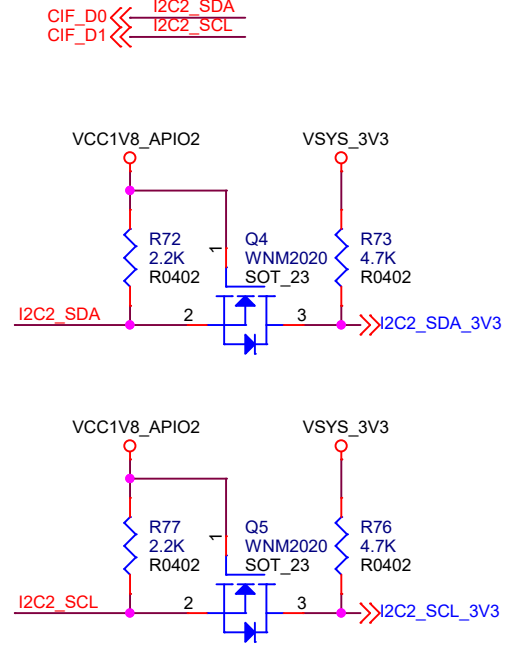
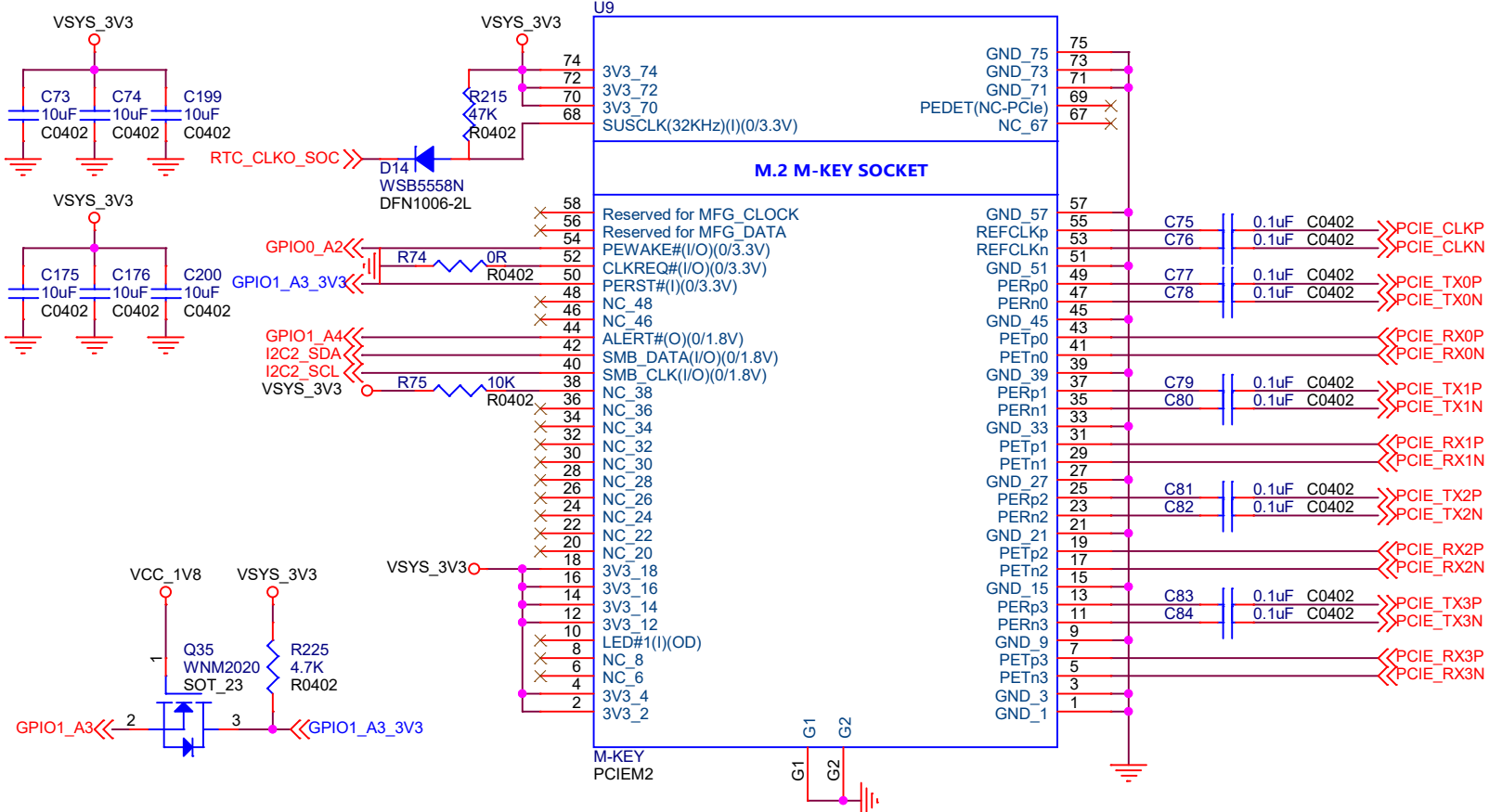


Shenzhen Wesion Technology Co., Ltd.			
<b>Project:</b>	Captain		
<b>File:</b>	TF Card		
<b>Date:</b>	Friday, June 14, 2019	<b>Rev:</b>	V12
<b>Designed by:</b>	Gouwa	<b>Sheet:</b>	4 of 8



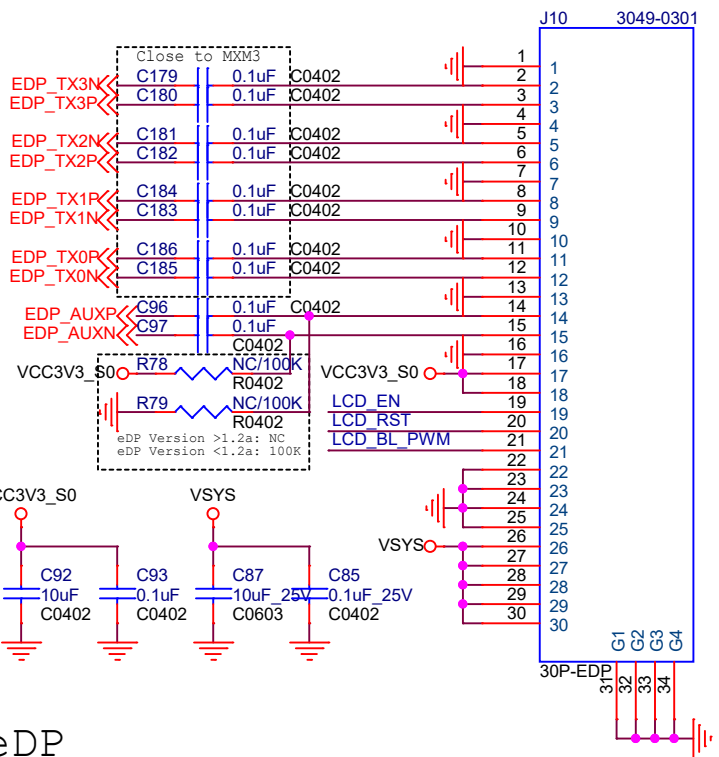
WOL POWER SWITCH1

STATE	DI	DO	DUT	WOL
ON	L	L	VSYS 3V3	-
OFF	H	L	VCC3V3 S5	Enable
OFF	H	H	Hi-Z	Disable



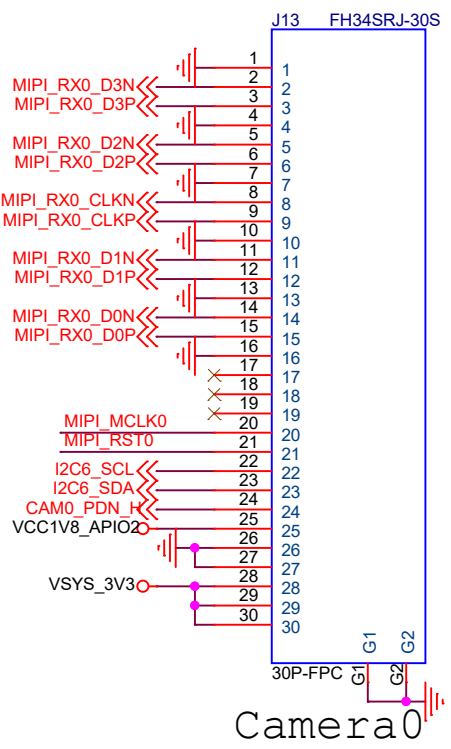
Shenzhen Wesion Technology Co., Ltd.

<b>Project:</b>	Captain		
<b>File:</b>	LAN & M.2		
<b>Date:</b>	Friday, June 14, 2019	<b>Rev:</b>	V12
<b>Designed by:</b>	Gouwa	<b>Sheet:</b>	5 of 8

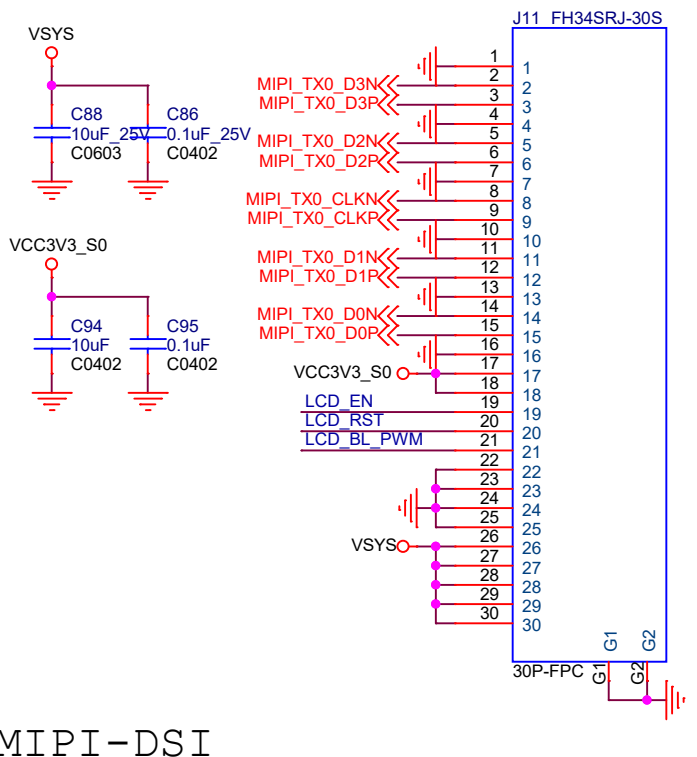


eDP

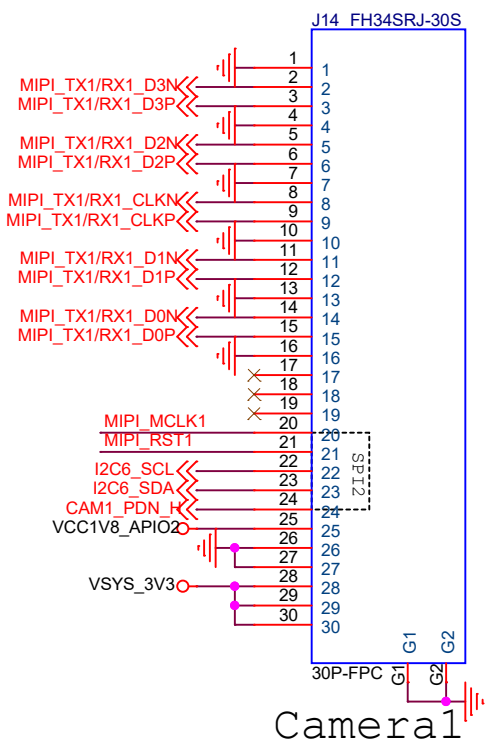
MIPI-CSI



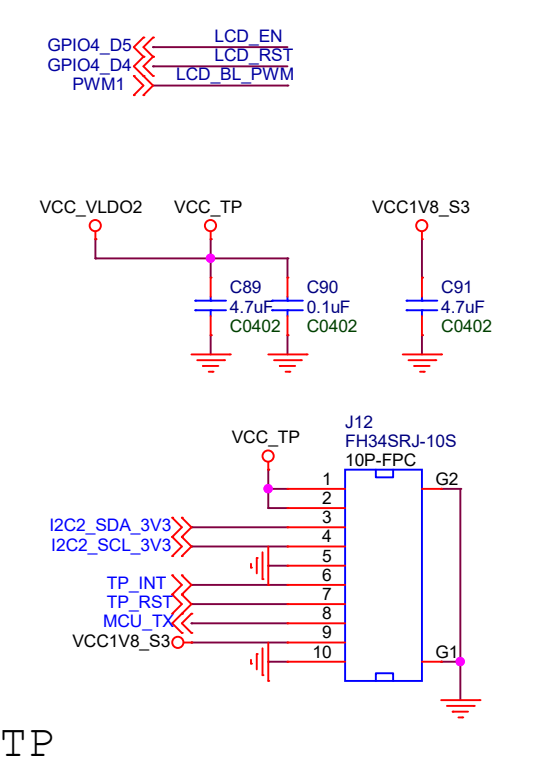
Camera0



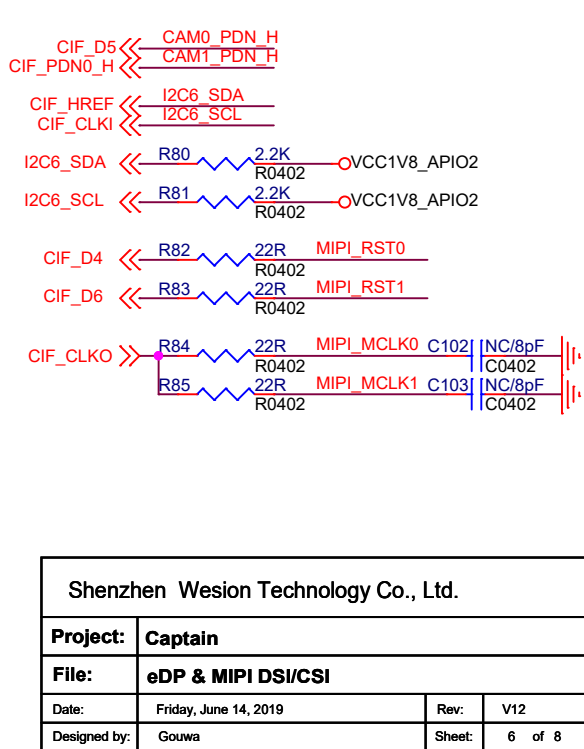
MIPI-DSI



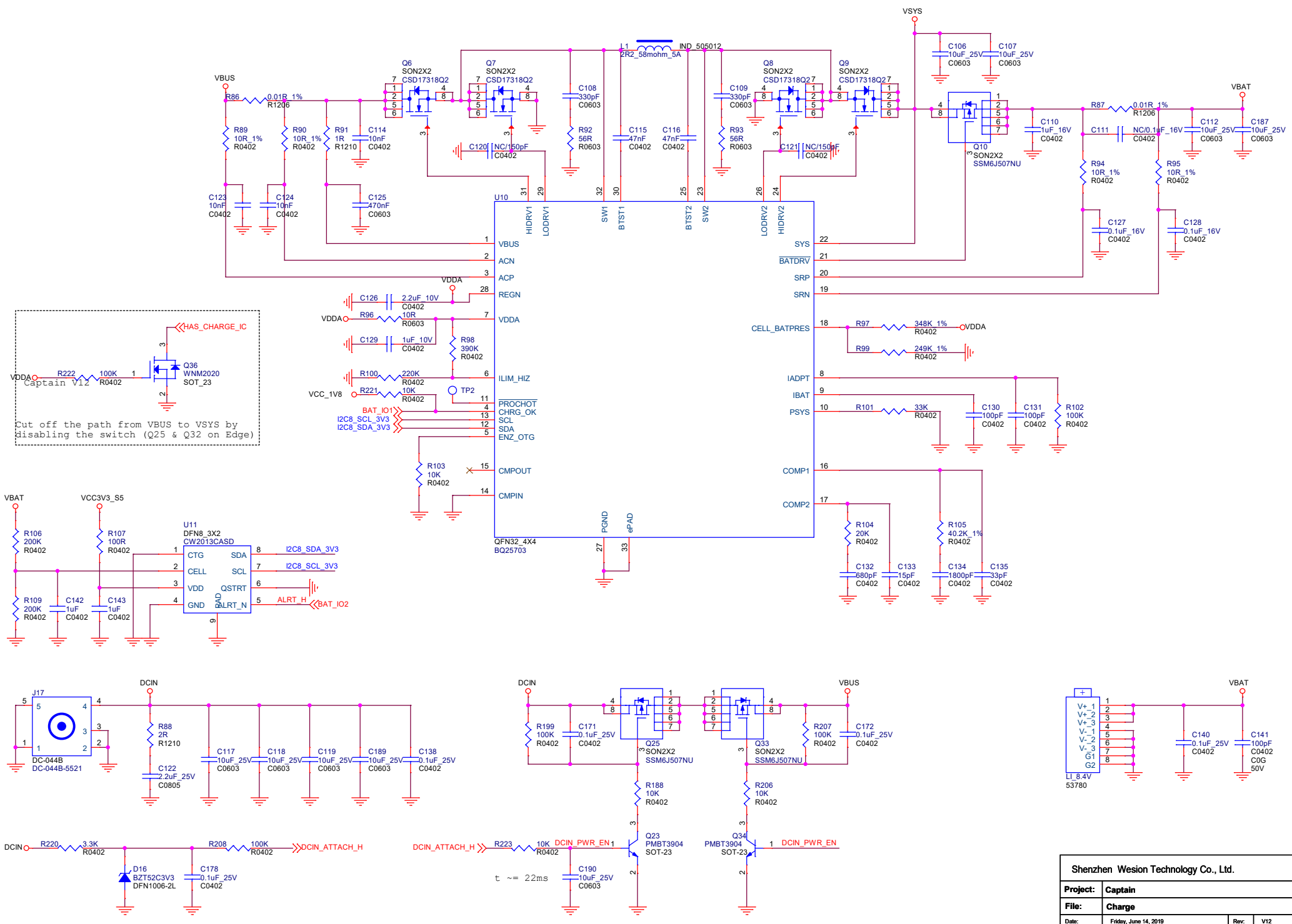
Camera1



TP

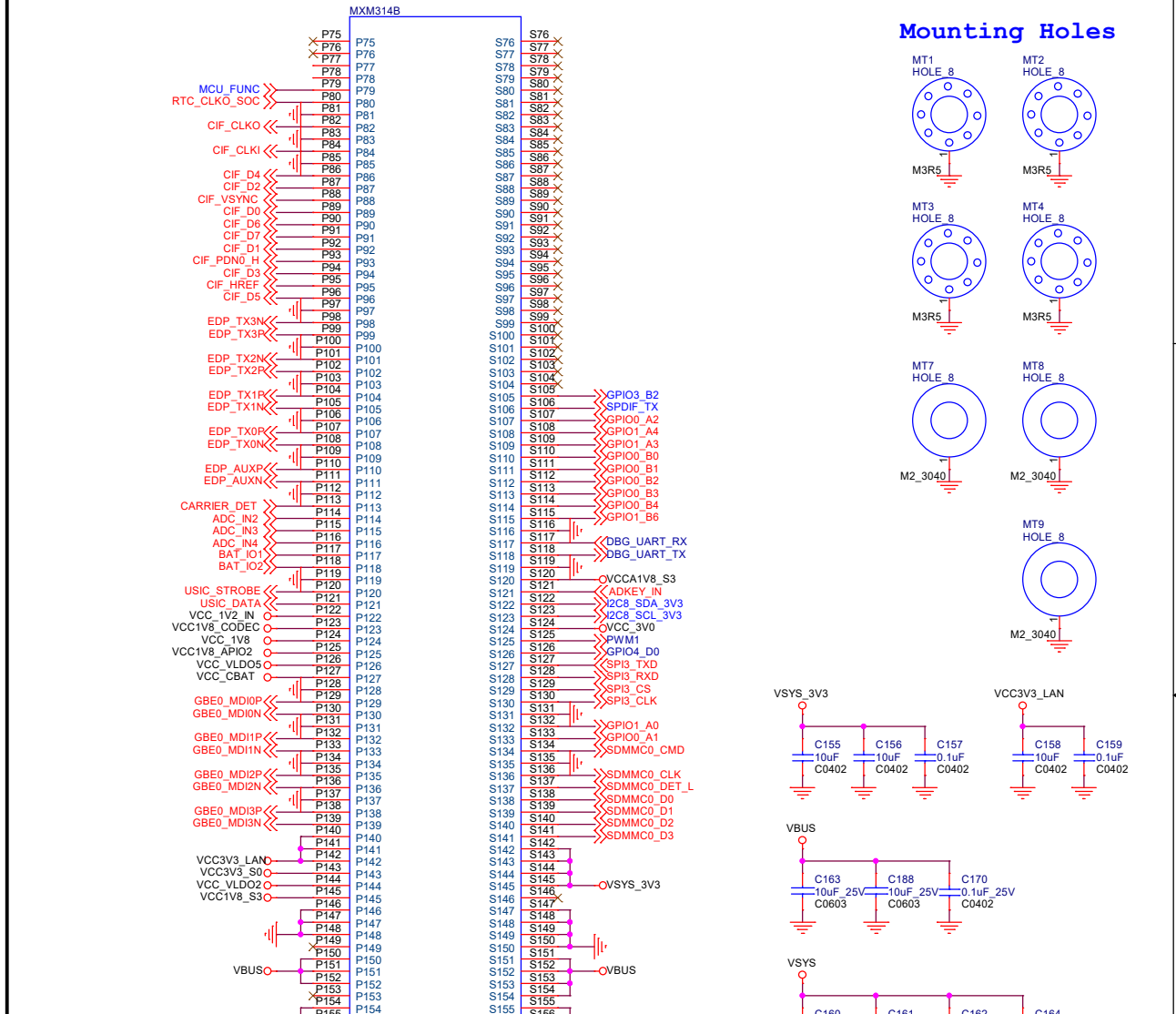
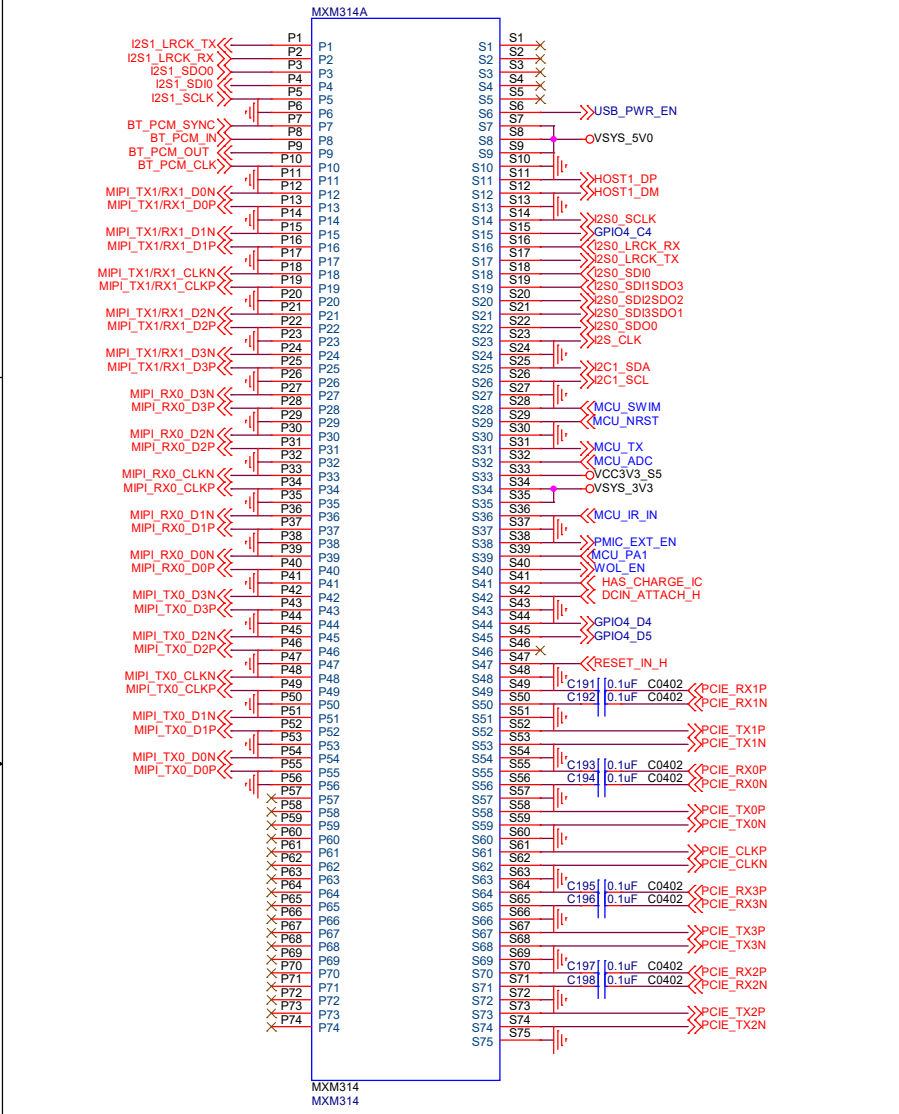


Shenzhen Wesion Technology Co., Ltd.			
<b>Project:</b>	Captain		
<b>File:</b>	eDP & MIPI DSI/CSI		
<b>Date:</b>	Friday, June 14, 2019	<b>Rev:</b>	V12
<b>Designed by:</b>	Gouwa	<b>Sheet:</b>	6 of 8

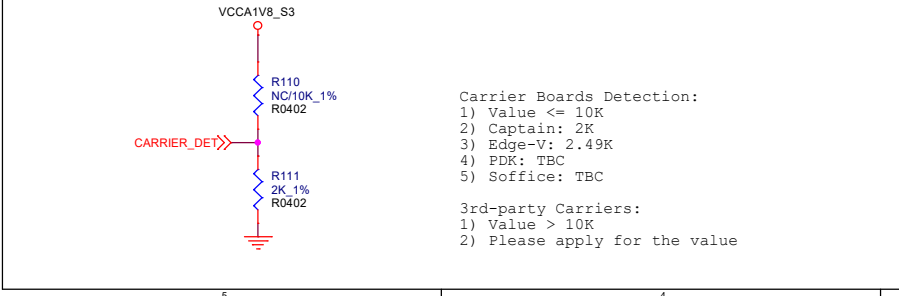


Cut off the path from VBUS to VSYS by disabling the switch (Q25 & Q32 on Edge)

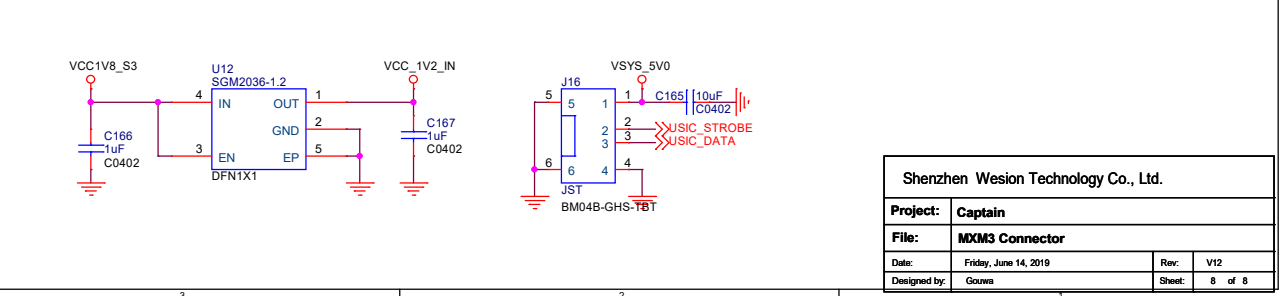
Shenzhen Wesion Technology Co., Ltd.			
Project:	Captain		
File:	Charge		
Date:	Friday, June 14, 2019	Rev:	V12
Designed by:	Gouwa	Sheet:	7 of 8



**Carriers Detection**



**USIC**



Shenzhen Wesion Technology Co., Ltd.			
Project:	Captain		
File:	MXM3 Connector		
Date:	Friday, June 14, 2019	Rev:	V12
Designed by:	Gouwa	Sheet:	8 of 8