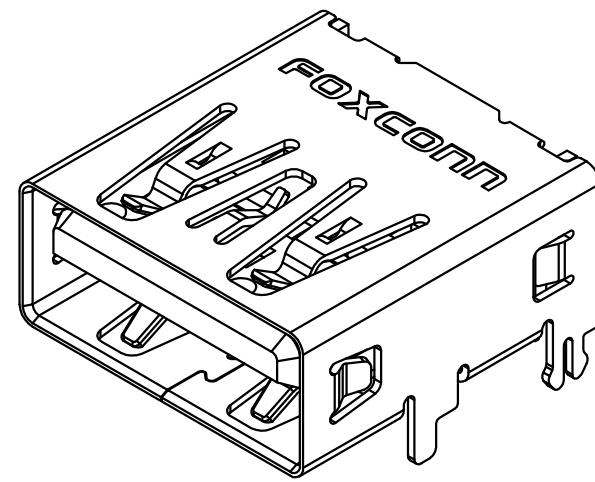
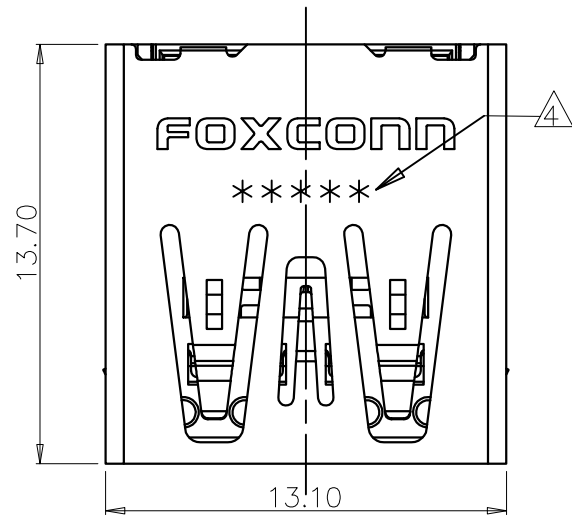
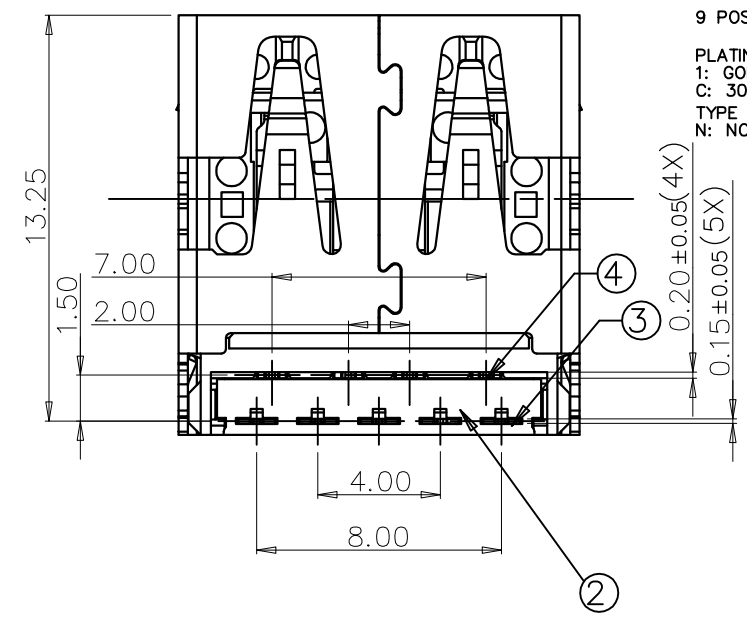
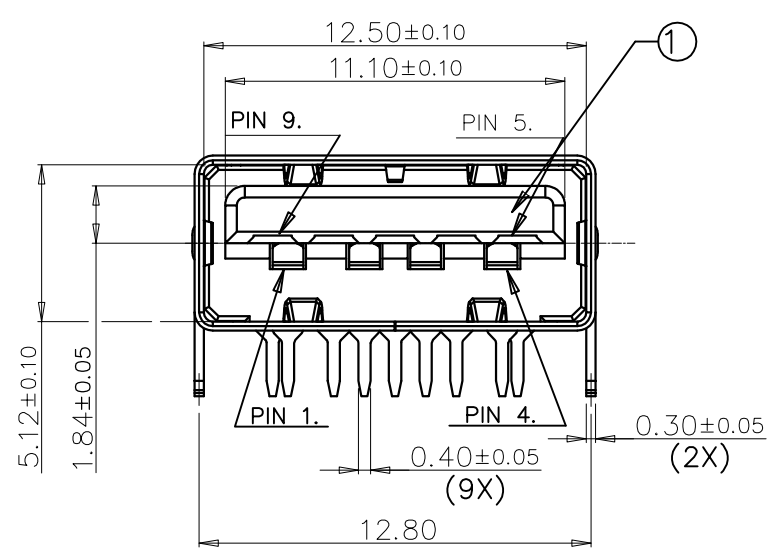
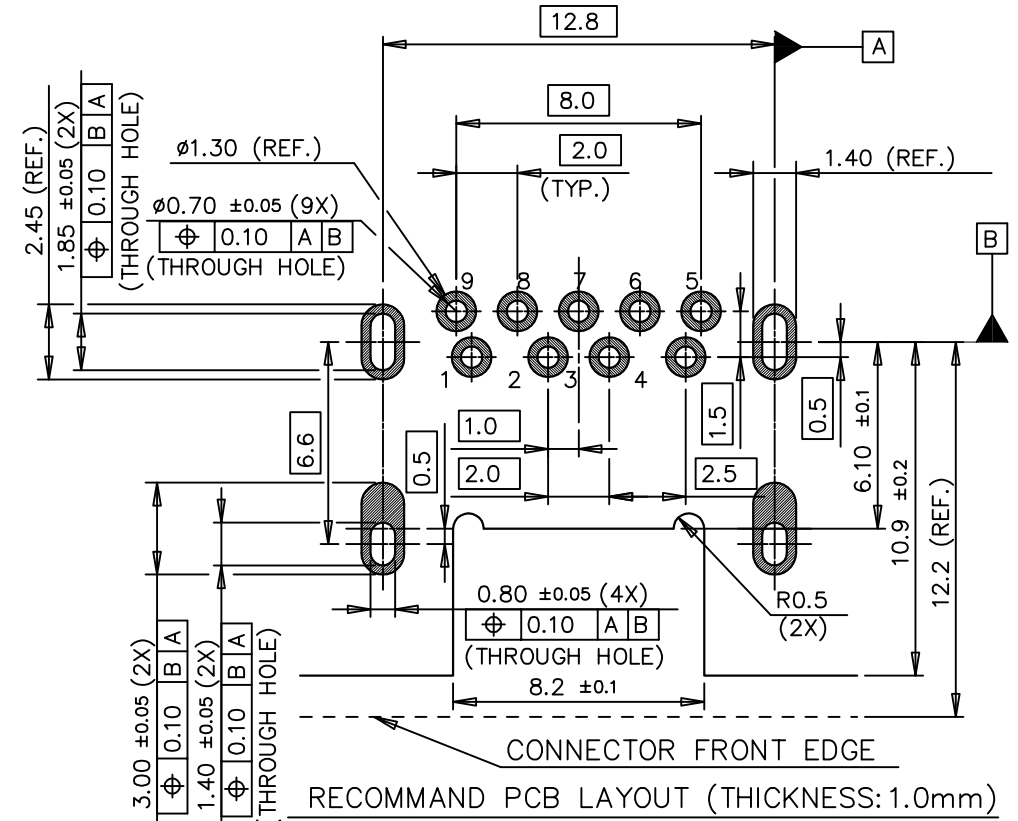
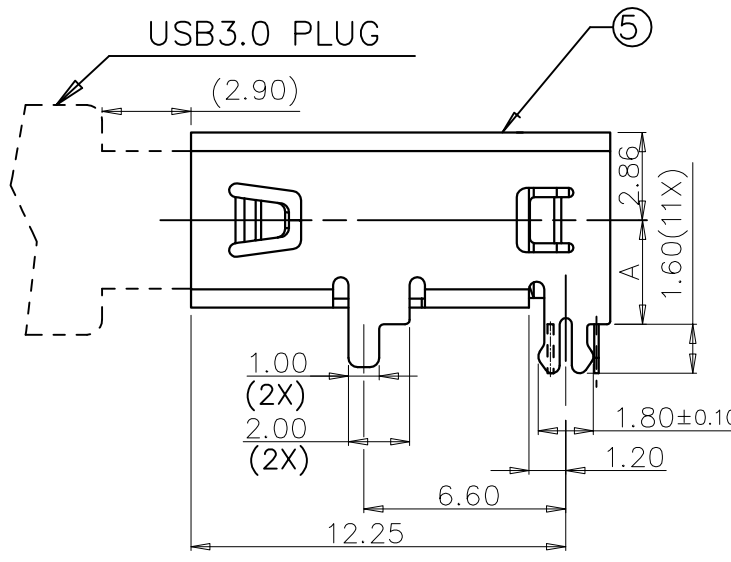


REV.	ECN. NO.	APPD.
A	BC-12-0052614	SHIH-WEI HSIAO
AX2	BS-14-143862	SHIH-WEI HSIAO

NOTES:
1.DIMENSION SHOULD BE INTERPRETED PER ASME Y14.5M-1994.
2.ELECTRICAL CHARACTERISTICS:
2-1.CONTACT CURRENT RATING:1.80A FOR VBUS AND GND, 0.25A FOR ALL OTHERS CONTACT.
2-2.INSULATION RESISTANCE:100 MEGAOHMS MIN. AT 250 VDC.
2-3.DIELECTRIC WITHSTANDING VOLTAGE:500 VAC MIN.
2-4.LOW LEVEL CONTACT RESISTANCE: 30mΩ MAX. FOR VBUS AND PGND, 50mΩ MAX. FOR OTHER CONTACTS.
3.MECHANICAL CHARACTERISTICS:
3-1.INSERTION FORCE: 35N MAX.
3-2.EXTRACTION FORCE: 10N MIN. FOR INITIAL, 8N MIN. FOR AFTER TEST.
3-3.DURABILITY: 5,000 MATING CYCLES.
3-4.OPERATING TEMPERATURE: -55°C TO +85°C.
3-5.RECOMMENDED PROCESS CONDITION, WAVE SOLDER, 260°, 3~5 S.
4.THE DATE CODE IS LOCATED APPROXIMATELY AS SHOWN.
5.THE CONNECTOR IS RoHS COMPLIANT.
6.PLEASE CONTACT FOXCONN SALES REPRESENTATIVE TO VERIFY PRODUCT DETAIL AVAILABILITY.
7.PART IS MOISTURE SENSITIVE DEVICE, IT SHOULD BE USED UP AFTER PACKAGING HAS BEEN OPENED FOR 8 HOURS, OTHERWISE, PARTS MUST BE BAKED FOR 5 DAYS MIN.AT 40°C&5% RH, AND USE IT IMMEDIATELY.RECOMMEND STORE TIME:LESS THAN THREE MONTHS.



ISO VIEW
(REFERENCE ONLY)



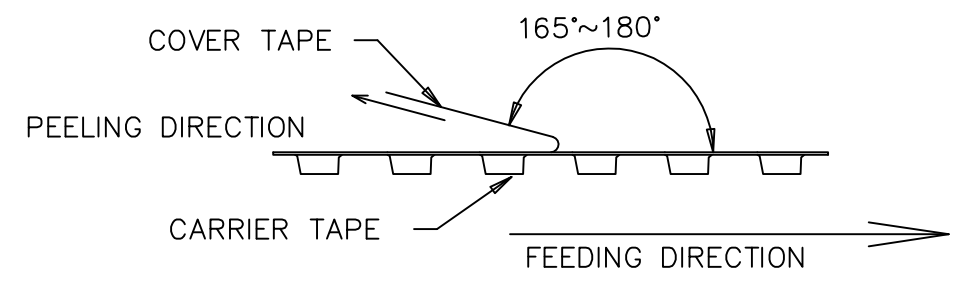
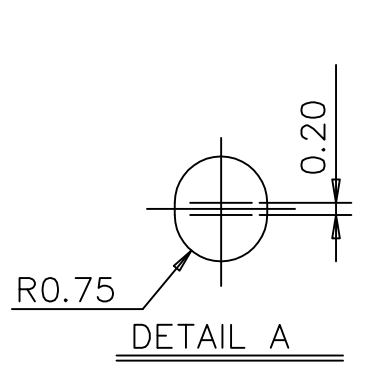
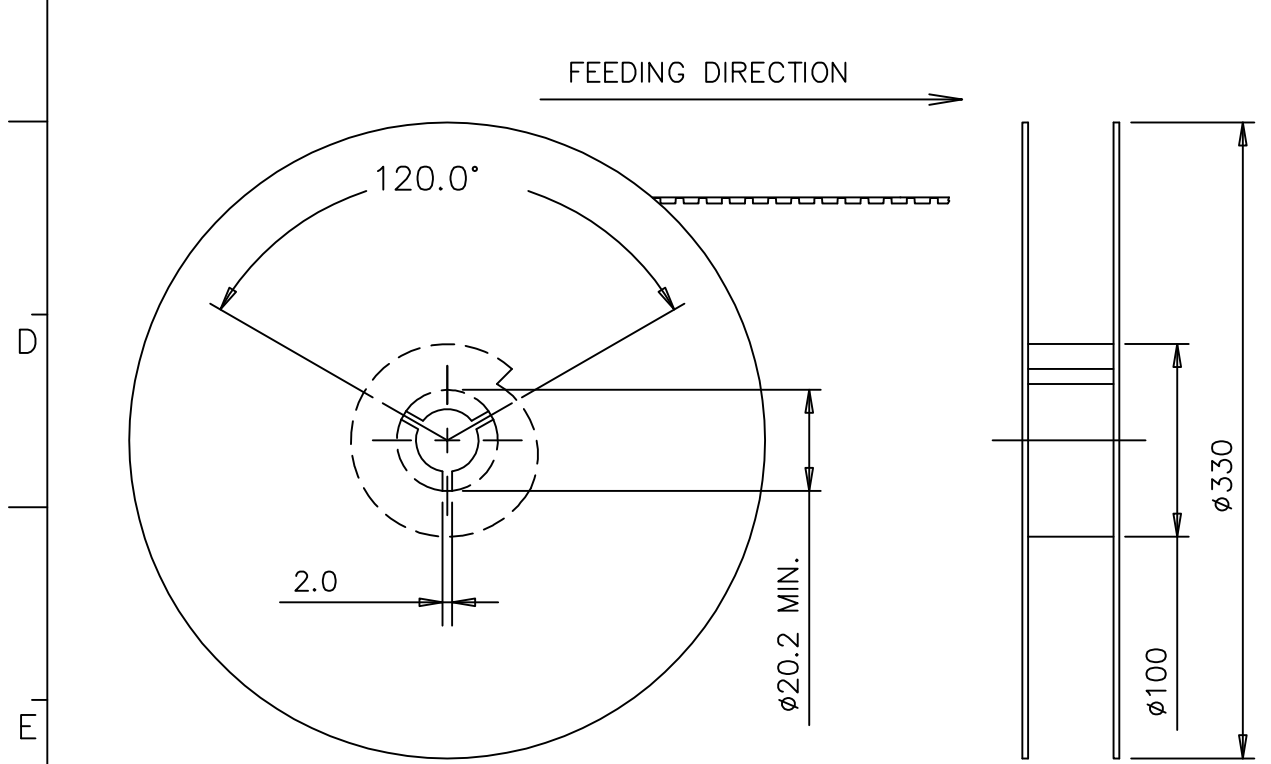
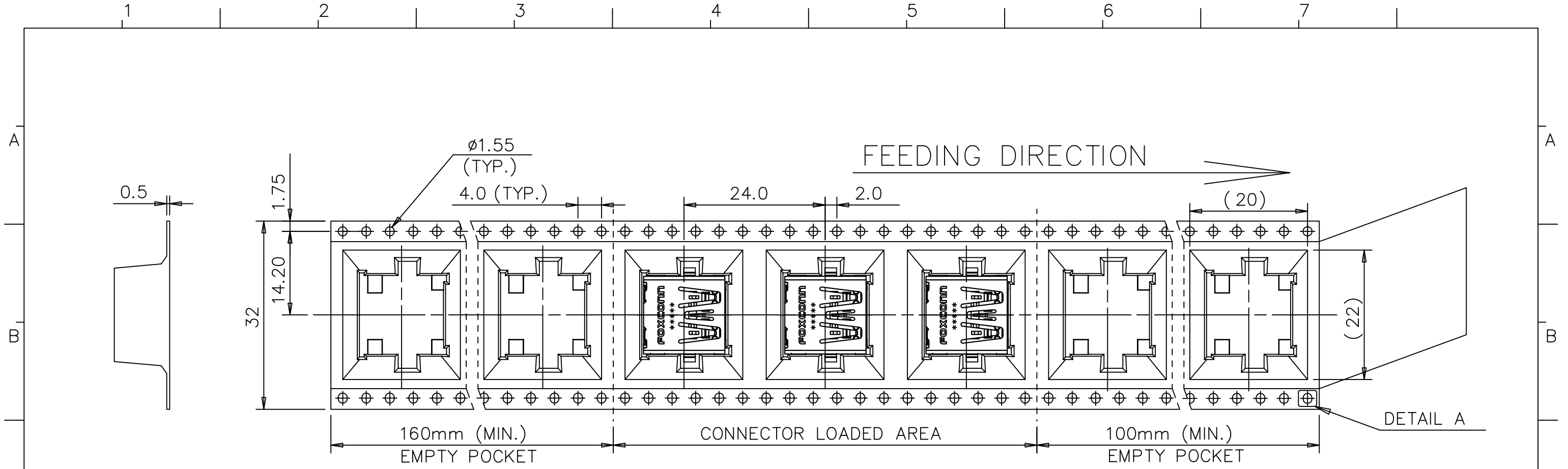
UEA111*-N3*AM*-7H
USB3.0 A TYPE
RIGHT ANGLE
9 POS.
PLATING CODE
1: GOLD PLATING
C: 30u"Pd/Ni+GOLD PLATING
TYPE CODE
N: NORMAL TYPE
HALOGEN FREE
TAPE & REEL
COLOR CODE
1: BLACK
2: BLUE
CENTER HEIGHT
30: 3.00mm
32: 3.20mm
34: 3.40mm

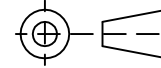
USB 2.0 CONTACT PIN		USB 3.0 CONTACT PIN	
PIN NO.	SIGNAL NAME	PIN NO.	SIGNAL NAME
1	VBUS	5	StdA_SSRX-
2	D-	6	StdA_SSRX+
3	D+	7	GND_DRAIN
4	GND	8	StdA_SSTX-
		9	StdA_SSTX+

P/N	DIM.A
UEA111*-N30AM*-7H	3.00
UEA111*-N32AM*-7H	3.20
UEA111*-N34AM*-7H	3.40

ITEM	DESCRIPTION	QT'Y	MATERIAL	REMARK
⑤	METAL SHELL	1	STAINLESS STEEL	
④	USB2.0 CONTACT	4	COPPER ALLOY	
③	USB3.0 CONTACT	5	COPPER ALLOY	
②	SPACER	1	THERMALPLASTIC	UL94V-0
①	HOUSING	1	THERMALPLASTIC	UL94V-0
X.± X.°±2° UNITS mm .X± 0.38 .X°± .XX±0.25 .XX°± .XXX± .XXX°±				
NAME (INTENDED USE) USB3.0 CONNECTOR				FOXCONN® FOXCONN INTERCONNECT TECHNOLOGY LIMITED
PART NO. (INTENDED USE) UEA111*-N3*AM*-7H				CLASS: <input type="checkbox"/> CONFIDENTIAL <input type="checkbox"/> SECRET <input checked="" type="checkbox"/> GENERAL
APPD: SHIH-WEI HSIAO 03/17'14				TITLE: CUSTOMER DRAWING
CHKD: Q.WANG 03/17'14				DWG NO.: 327-0000-2765
DR: D.Z.BIAN 03/17'14				SCALE SHEET REV. N/A 1/2 AX2

THESE DRAWINGS AND SPECIFICATIONS ARE THE PROPERTY OF HON HAI PRECISION IND. CO., LTD. AND SHALL NOT BE REPRODUCED COPIED OR USED IN ANY MANNER WITHOUT THE PRIOR WRITTEN CONSENT OF FOXCONN INTERCONNECT TECHNOLOGY LIMITED



X. ±	X. ° ±	UNITS mm	NAME (INTENDED USE)	FOXCONN® FOXCONN INTERCONNECT TECHNOLOGY LIMITED							
.X ±	.X ° ±	MAT'L	USB3.0 CONNECTOR								
.XX ±	.XX ° ±	FINISH	PART NO. (INTENDED USE)	CLASS: <input type="checkbox"/> CONFIDENTIAL <input type="checkbox"/> SECRET <input checked="" type="checkbox"/> GENERAL							
.XXX ±	.XXX ° ±		UEA111*-N3*AM*-7H	TITLE: CUSTOMER DRAWING							
THESE DRAWINGS AND SPECIFICATIONS ARE THE PROPERTY OF HON HAI PRECISION IND. CO., LTD. AND SHALL NOT BE REPRODUCED COPIED OR USED IN ANY MANNER WITHOUT THE PRIOR WRITTEN CONSENT OF FOXCONN INTERCONNECT TECHNOLOGY LIMITED			APPD: SHIH-WEI HSIAO 03/17'14	DWG NO. : 327-0000-2765							
			Q'TY	CHKD: Q.WANG 03/17'14	 <table border="1"> <tr> <td>SCALE</td> <td>SHEET</td> <td>REV.</td> </tr> <tr> <td>N/A</td> <td>2/2</td> <td>AX2</td> </tr> </table>	SCALE	SHEET	REV.	N/A	2/2	AX2
			SCALE	SHEET		REV.					
N/A	2/2	AX2									
DR: D.Z.BIAN 03/17'14											