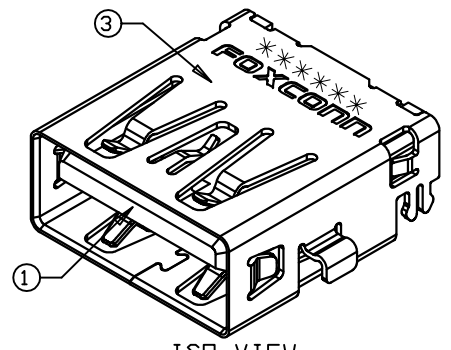
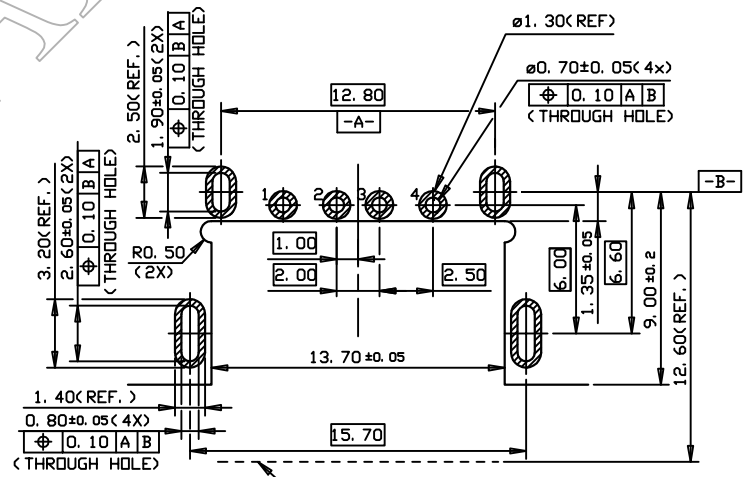
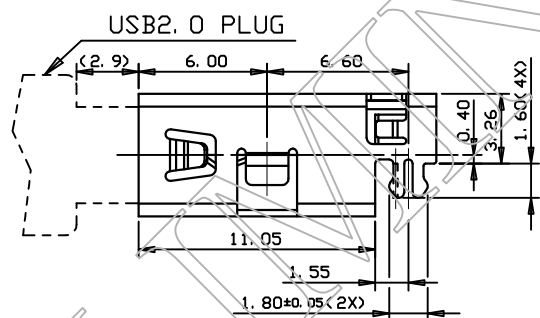
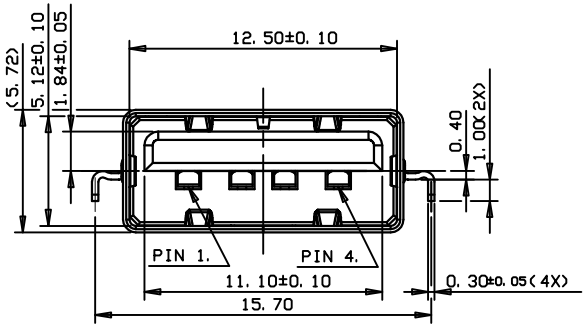
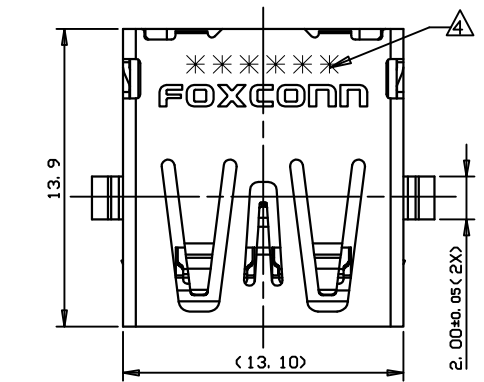


REV.	ECN. NO.	APPD.
X1	BS-17-146694	Shih-wei Hsiao

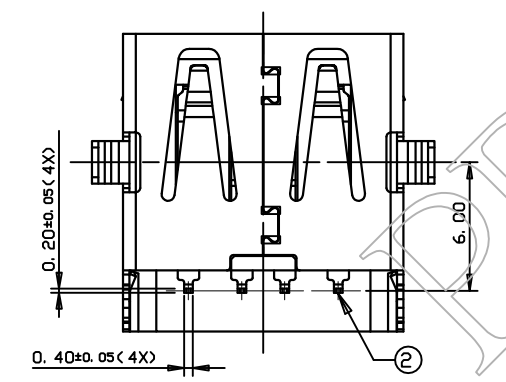
- NOTES:
1. DIMENSION SHOULD BE INTERPRETED PER ASME Y14.5M-1994.
 2. ELECTRICAL CHARACTERISTICS:
 - 2-1. CONTACT CURRENT RATING: 1.80A FOR VBUS AND GND, 0.25A FOR ALL OTHERS CONTACT.
 - 2-2. INSULATION RESISTANCE: 100 M Ω MIN. AT 250 VDC.
 - 2-3. DIELECTRIC WITHSTANDING VOLTAGE: 500 VAC MIN.
 - 2-4. LOW LEVEL CONTACT RESISTANCE: 30m Ω MAX. FOR VBUS AND PGND, 50m Ω MAX. FOR OTHER CONTACTS.
 3. MECHANICAL CHARACTERISTICS:
 - 3-1. INSERTION FORCE: 35N MAX, 20N MIN. FOR AFTER TEST.
 - 3-2. EXTRACTION FORCE: 10N MIN. FOR INITIAL, 30N MIN. FOR AFTER TEST.
 - 3-3. DURABILITY: 5,000 MATING CYCLES.
 - 3-4. OPERATING TEMPERATURE: -55°C TO +85°C.
 4. THE DATE CODE IS LOCATED APPROXIMATELY AS SHOWN.
 5. THE CONNECTOR IS ROHS COMPLIANT.
 6. PLEASE CONTACT FOXCONN SALES REPRESENTATIVE TO VERIFY PRODUCT DETAIL AVAILABILITY.
 7. PART IS MOISTURE SENSITIVE DEVICE. IT SHOULD BE USED UP AFTER PACKAGING HAS BEEN OPENED FOR 8 HOURS, OTHERWISE, PARTS MUST BE BAKED FOR 5 DAYS MIN. AT 40°C \pm 5% RH, AND USE IT IMMEDIATELY. RECOMMEND STORE TIME LESS THAN THREE MONTHS.
 8. RECOMMENDED PROCESS CONDITION, WAVE SOLDER 260°, 3-5s.



ISO VIEW
(REFERENCE ONLY)



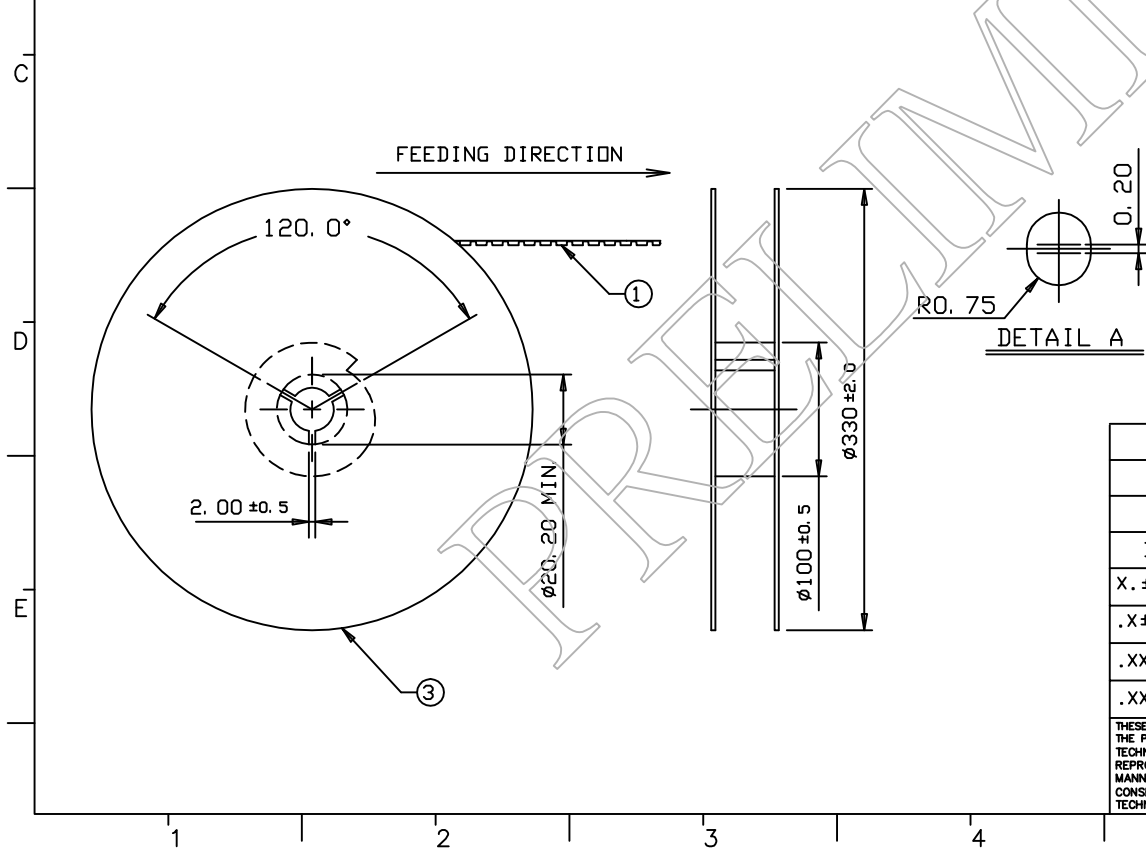
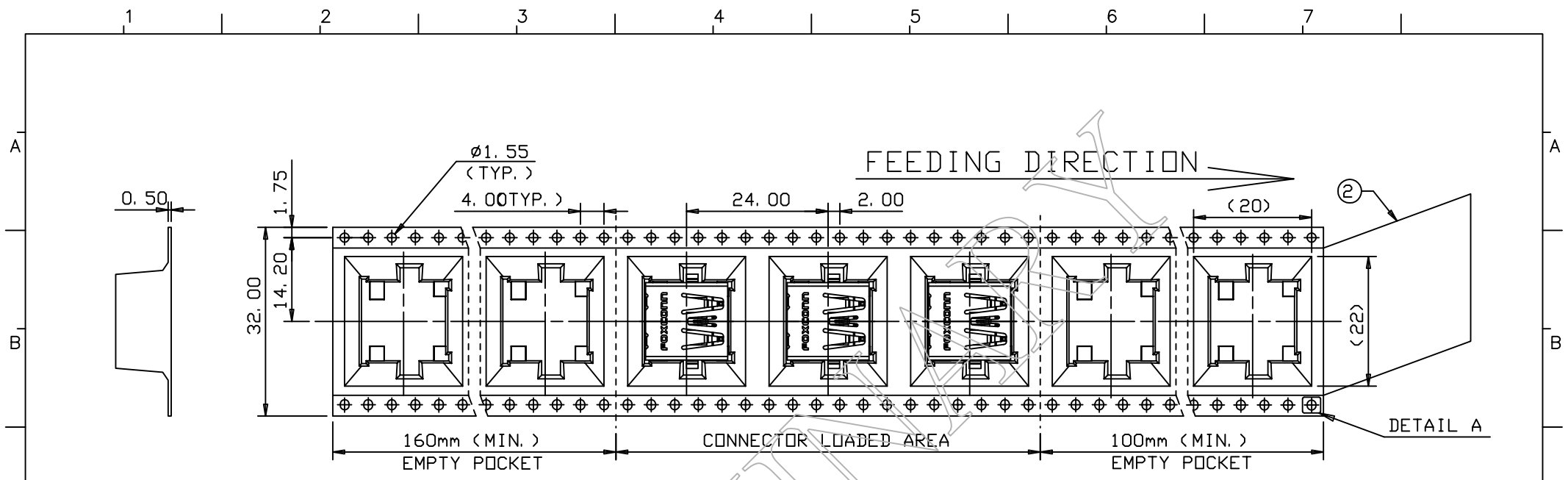
CONNECTOR FRONT EDGE
RECOMMEND PCB LAYOUT (THK: 1.20mm)



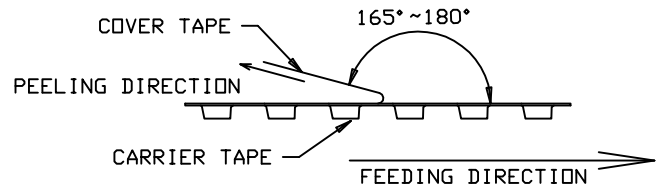
- UB111*-N04AG1-7H
- USB2.0 A TYPE
 - RIGHT ANGLE
 - 4 PDS.
 - CONTACT PLATING
 - 1: GOLD PLATING
 - 2: 30μ" GOLD PLATING
 - 3: 30μ" Pd/Ni+GOLD PLATING
 - 4: 5μ" GOLD PLATING
 - TYPE CODE
 - N: NORMAL TYPE
 - HALOGEN FREE
 - TAPE & REEL
 - PLASTICS COLOR + SHELL PLATING
 - 1. BLACK HOUSING + NI PLATING
 - CENTER HEIGHT
 - 04: 0.40mm

PIN NO.	1	2	3	4
SIGNAL NAME	VBUS	D-	D+	GND
REMARK	USB2.0 CONTACT PIN			

③	METAL SHELL	1	STAINLESS STEEL	
②	USB2.0 CONTACT	4	COPPER ALLOY	
①	HOUSING	1	LCP	UL94V-0
ITEM	DESCRIPTION	QT'Y	MATERIAL	REMARK
X.±	X.°±	UNITS	NAME (INTENDED USE) NORMAL TYPE CH=0.4mm USB2.0 CONNECTOR	FOXCONN [®] FOXCONN INTERCONNECT TECHNOLOGY LIMITED
.X±0.38	.X°±	MAT'L	PART NO. (INTENDED USE) UB111*-N04AG1-7H	CLASS: <input type="checkbox"/> CONFIDENTIAL <input type="checkbox"/> SECRET <input checked="" type="checkbox"/> GENERAL
.XX±0.25	.XX°±	FINISH	APPD: Shih-wei Hsiao 04/25/17	TITLE: CUSTOMER DRAWING
.XXX±	.XXX°±	Q'TY	CHKD: Shujian Wang 04/25/17	DWG NO.: 327-0000-3641
THESE DRAWINGS AND SPECIFICATIONS ARE THE PROPERTY OF FOXCONN INTERCONNECT TECHNOLOGY LIMITED. AND SHALL NOT BE REPRODUCED, COPIED OR USED IN ANY MANNER WITHOUT THE PRIOR WRITTEN CONSENT OF FOXCONN INTERCONNECT TECHNOLOGY LIMITED.			DR: WANG 04/25/17	SCALE SHEET REV. N/A 1/2 X1



- NOTES:
 1. 10 POCKETS HOLE PITCH CUMULATIVE TOLERANCE ±0.20mm.
 2. NUMBER OF CONNECTORS : 300PCS/REEL.
 3. COVER TAPE PEELING STRENGTH : 0.1 KgF MAX. AT 300mm/min.



ITEM	DESCRIPTION	MATERIAL	REMARK
③	REEL	POLYSTYRENE	
②	COVER TAPE	POLYESTER	
①	CARRIER TAPE	POLYSTYRENE	
X. ±	X. ° ±	UNITS mm	FOXCONN® FOXCONN INTERCONNECT TECHNOLOGY LIMITED CLASS: <input type="checkbox"/> CONFIDENTIAL <input type="checkbox"/> SECRET <input checked="" type="checkbox"/> GENERAL TITLE: CUSTOMER DRAWING
.X ±	.X ° ±	MAT'L	
.XX ±	.XX ° ±		
.XXX ±	.XXX ° ±	FINISH	
THESE DRAWINGS AND SPECIFICATIONS ARE THE PROPERTY OF FOXCONN INTERCONNECT TECHNOLOGY LIMITED, AND SHALL NOT BE REPRODUCED, COPIED OR USED IN ANY MANNER WITHOUT THE PRIOR WRITTEN CONSENT OF FOXCONN INTERCONNECT TECHNOLOGY LIMITED.			APPD: Shih-wei Hsiao 04/25'17 CHKD: Shujian Wang 04/25'17 DR: WANG 04/25'17
			NAME (INTENDED USE) NORMAL TYPE CH=0.4mm USB2.0 CONNECTOR PART NO. (INTENDED USE) UB111*-N04AG1-7H DWG NO.: 327-0000-3641
			SCALE SHEET REV. N/A 2/2 X1