



Index

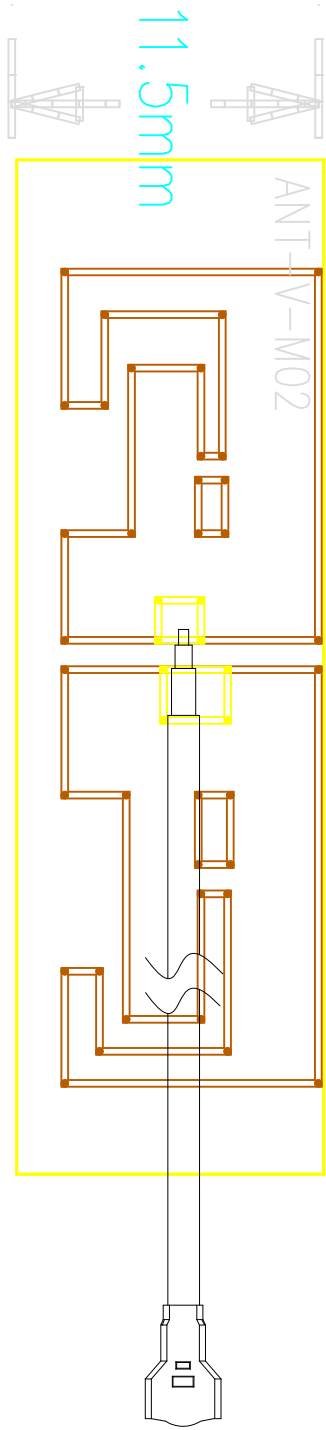
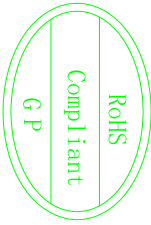
一、 封面 (Cover)	1
二、 目录 (Index)	2
三、 规格 (Product Specification)	3
四、 工程图纸 (Product Drawing)	4
五、 测试设备 (Test Equipment & Conditions)	5
六、 性能测试报告 (Test Report)	6



Product Specificatio

A. Electrical Characteristics	
Frequency	2400 MHz ~2500 MHz 5150 MHz ~5850 MHz
VSWR	<2
Efficiency1	>30%@2400 MHz ~2500 MHz
Efficiency2	>30%@5150 MHz ~5850 MHz
Impedance	50 Ohm
Polarization	Linear
Gain	≥4 DB
B. Material & Mechanical Characteristics	
Material of Radiator	FPC black
Cable Type	∅ 1.13mm black
Connector Type	IPX-1
Dimension	
C. Environmental	
Operation Temperature	- 30 °C ~ + 80 °C
Storage Temperature	- 30 °C ~ + 85 °C

Product Drawing:



1. "*"为重点尺寸.
2. FPC材料: 电解铜, 一对半材质 (蔡伦格帝).
3. 反面背胶 (3M300LSE).
4. 未标公差尺寸请依图纸, 模具冲出尺寸公差为±0.1, 铜箔线条尺寸公差为±0.05, 标重点的孔公差为±0.05.
5. 各零件中Pb、Hg、Cr+6、PBBs、PBDEs各项小于1000PPM, Cd小于100PPM.

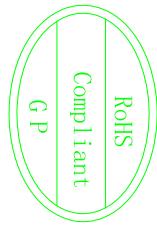
Rev	Description	Date	Remark
1	New drawing		

		变更记录	
1	修正		
2			
3			

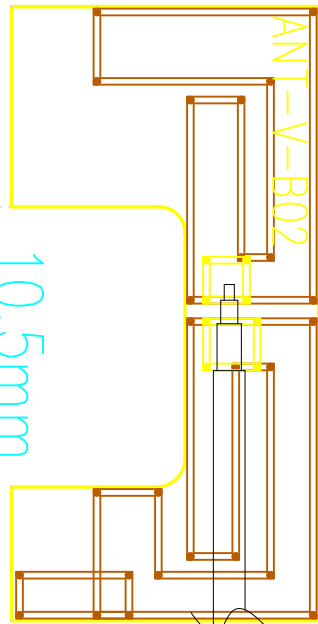
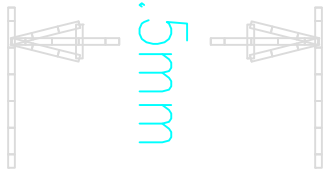
		深 圳 乐 进 射 频 科 技 有 限 公 司 SHEN ZHEN LEJIN RADIO FREQUENCY CO., LTD	
Project	SY VIM ANT	Date	2019-11-10
Part Name	WiFi-A02天线	Designed by	
Part No.		Checked by	MD
Material		RF	
Treatment	LJ801-19051001C-R2A	Approved by	

0~10	±0.05	Third Angle	○	0.02
10~18	±0.10		◎	Ø0.03
18~30	±0.12		⊥	0.02
30~40	±0.15		∠	0.04
40~	±0.20		Angle	±0.5°

Unit	mm	Scale	1:1	Rev	A
------	----	-------	-----	-----	---



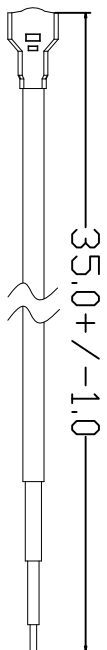
11.5mm



7.5mm



5.0mm



1.13 黑色银锡线，一代KCC端子

1. "*"为重点尺寸.
2. FPC材料: 电解铜, 一对半材质 (蔡伦格帝).
3. 反面青胶 (3M300LSE).
4. 未标公差尺寸请依图纸, 模具冲出尺寸公差为±0.1, 铜箔线条尺寸公差为±0.05, 标重点的孔公差为±0.05.
5. 各零件中Pb、Hg、Cr+6、PBBs、PBDEs各项小于1000PPM, Cd小于100PPM.



深圳乐进射频科技有限公司
SHEN ZHEN LEJIN RADIO FREQUENCY CO., LTD

变更记录	1	修正
	2	
	3	

Rev	Description	Date	Remark
A	New drawing		
1			

0~10	±0.05	○	0.02	Project	SY VIM2 ANT	Date	2019-11-10
10~18	±0.10	◎	Ø0.03	Part Name	WiFi-B02天线	Designed by	
18~30	±0.12	⊥	0.02	Part No.		Checked by	MD
30~40	±0.15	∠	0.04	Material		RF	
40~	±0.20	Angle	±0.5°	Treatment	LJB01-19051001C-R2A	Approved by	



Test Equipment & Conditions

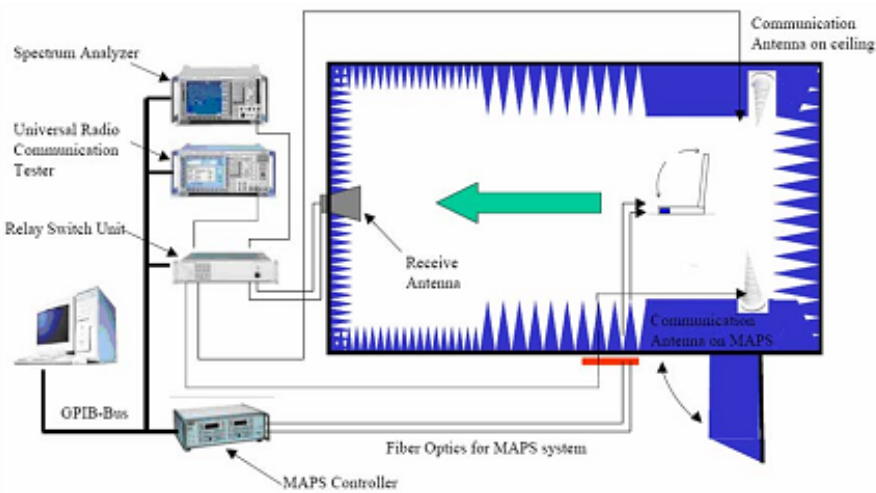
1. Network Analyzers :

Agilent 8753D 5071C

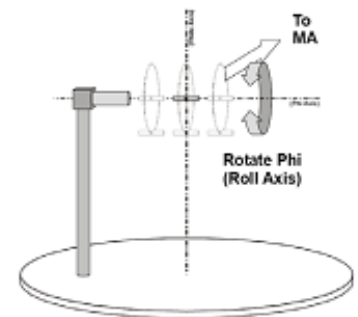
2. Communications Test Set:

Agilent E5515C/CMW500

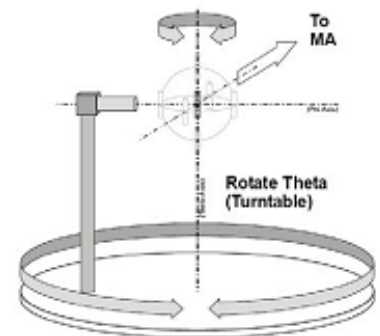
3. 3D Chamber Test System



(Testing by 3D anechoic chamber)



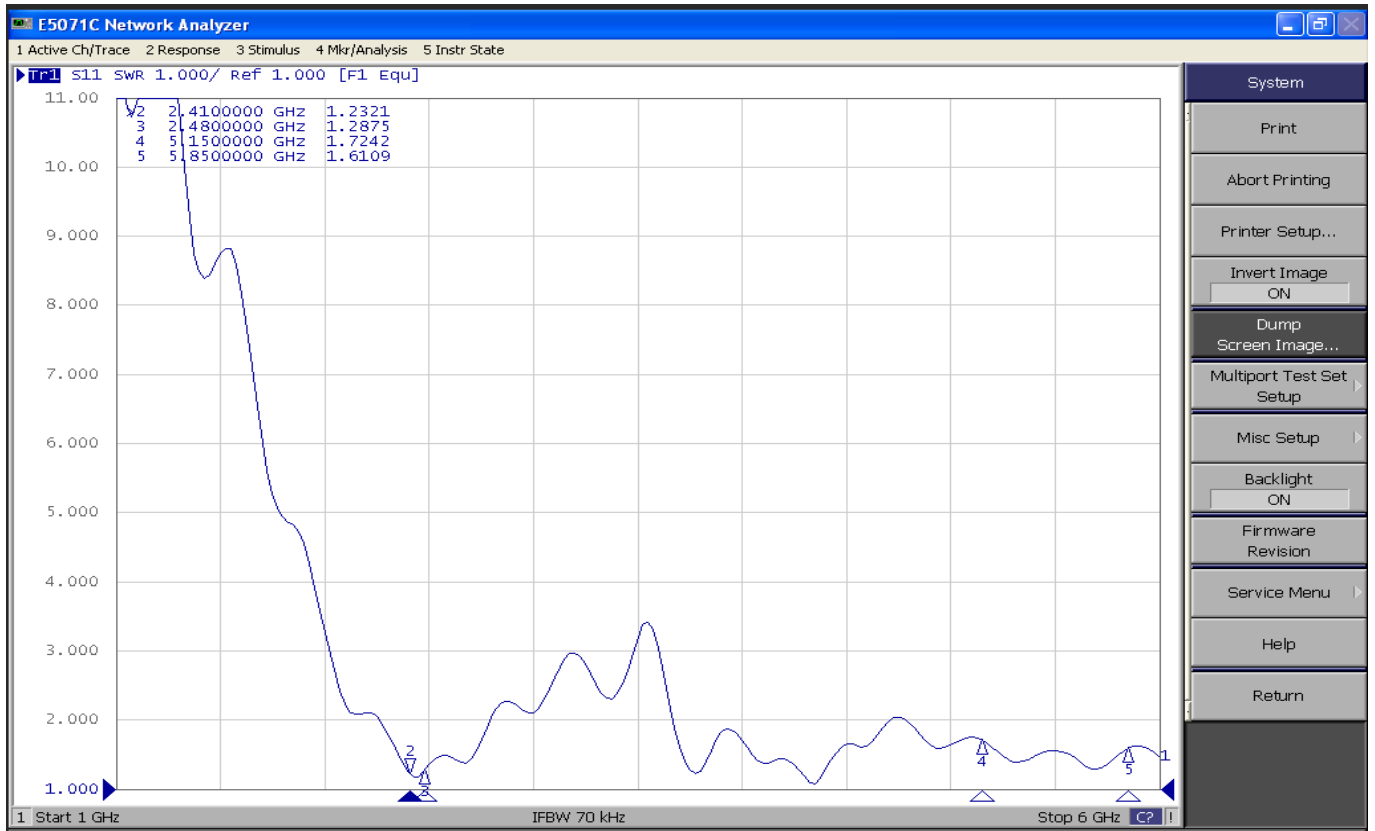
Phi axis test



Theta axis test



S11_VSWR:A-01



S11_VSWR:B-01





Shenzhen Lejin radio frequency technology Co., LTD

Passive Test For WIFI

B

Passive Test For WIFI2G			Passive Test For WIFI2G		
Freq (MHz)	Effi (%)	Gain (dBi)	Freq (MHz)	Effi (%)	Gain (dBi)
2410	32.41	3.46	2410	33.71	0.82
2420	35.79	3.73	2420	41.04	1.79
2430	31.11	3.14	2430	38.12	1.56
2440	39.23	3.98	2440	46.01	2.47
2450	39.47	3.05	2450	35.82	1.55
2460	33.5	3.64	2460	36.99	1.77
2470	31.54	3.3	2470	33.3	1.48
2480	32.41	3.38	2480	40.63	2.38
2490	35.96	3.57	2490	36.17	1.87
2500	36.05	3.88	2500	36.63	1.91
2510	35.19	3.63	2510	30.25	0.93

Passive Test For WIFI5G			Passive Test For WIFI5G		
Freq (MHz)	Effi (%)	Gain (dBi)	Freq (MHz)	Effi (%)	Gain (dBi)
5150	20.01	-1.52	5150	20.66	1.05
5200	24.25	0.16	5200	28.81	1.71
5250	28.93	1.66	5250	23.01	1.23
5300	33.83	2.57	5300	25.66	1
5350	30.11	2.48	5350	24.57	2.56
5400	40.04	3.79	5400	34.59	2.35
5450	40.91	3.36	5450	36.63	2.78
5500	49.84	3.15	5500	40.53	3.05
5550	49.84	3.05	5550	43.78	3.66
5600	48.2	3.8	5600	44.41	3.65
5650	50.38	3.6	5650	48.03	3.95
5700	55.32	3.41	5700	53.51	3.67
5750	59.44	3.86	5750	61.59	3.28
5800	52.61	3.49	5800	55.26	3.93
5850	55.78	3.87	5850	59.01	3.4
5900	51.01	3.41	5900	56.04	3.1
5950	40.2	2.93	5950	45.76	4.37
6000	46.32	3.07	6000	53.54	3.23