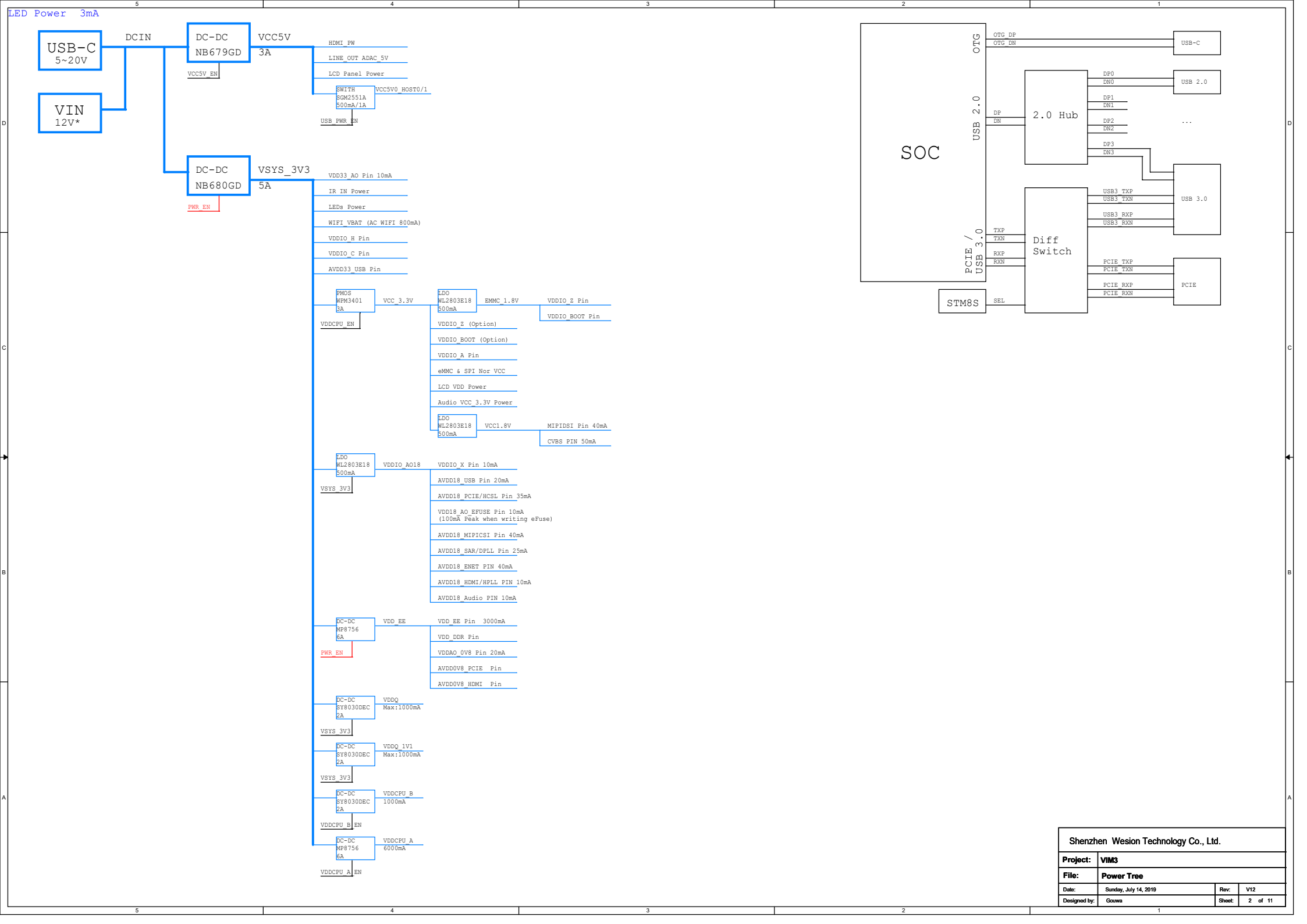




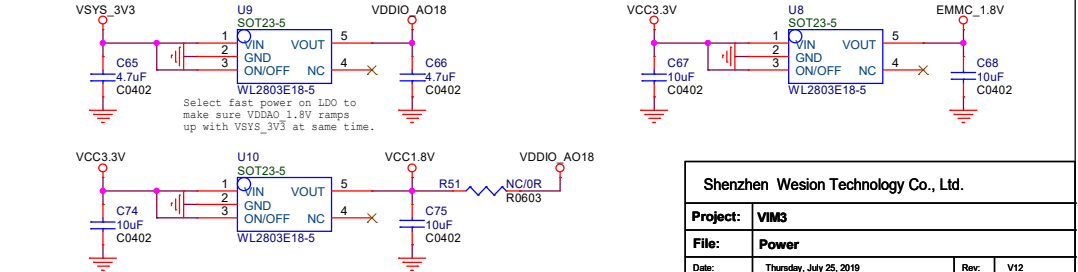
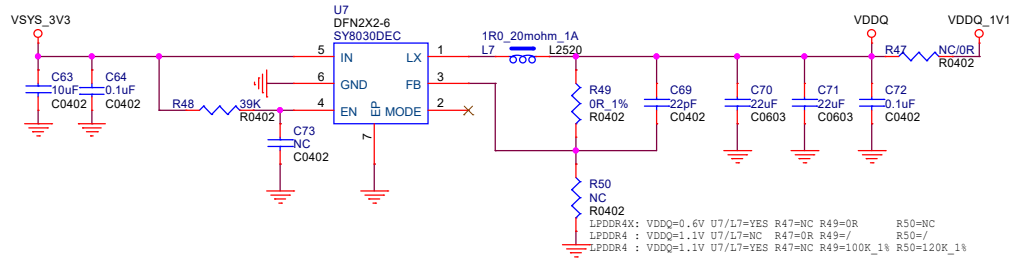
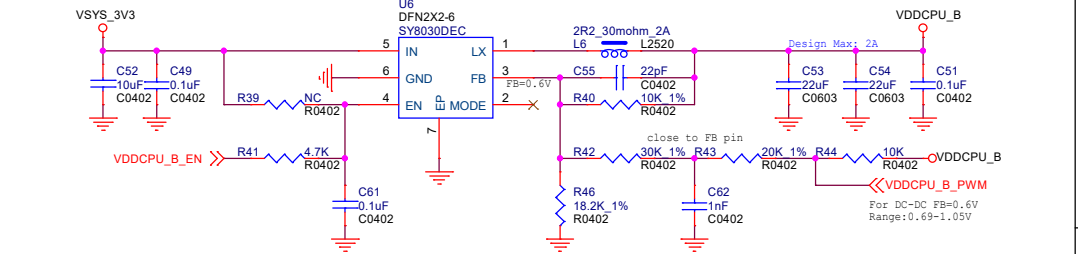
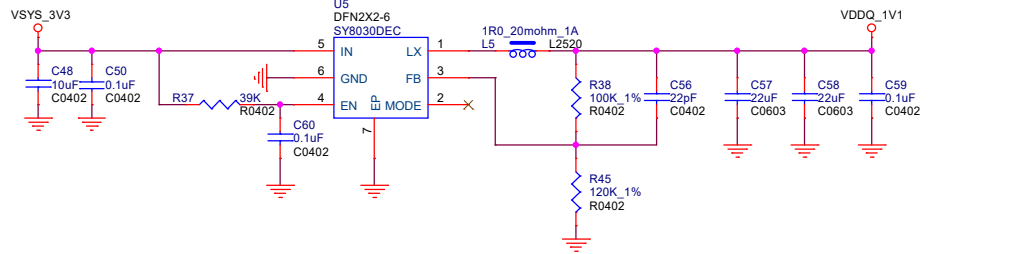
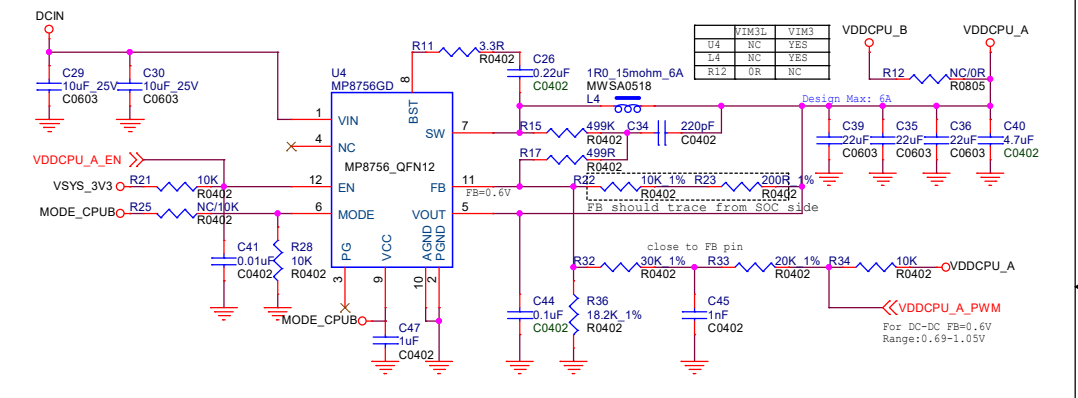
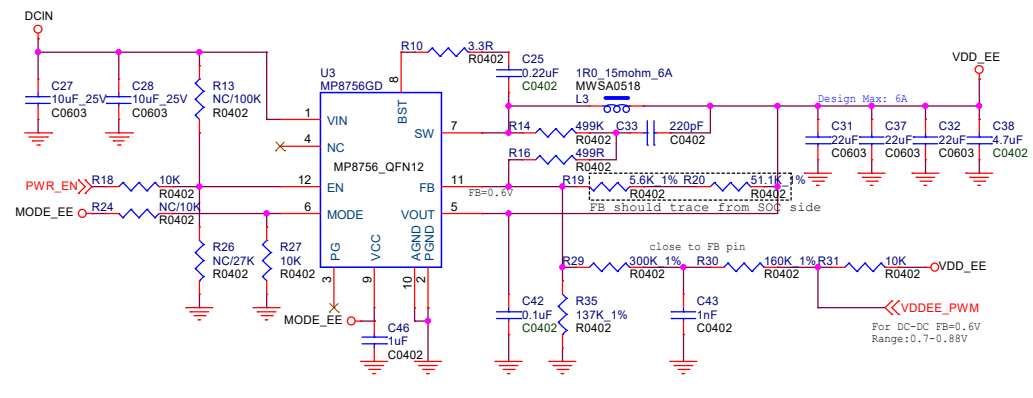
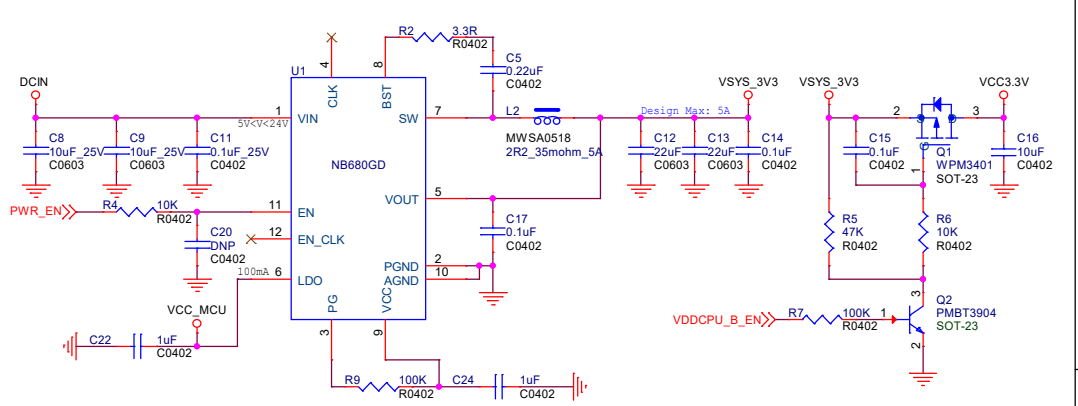
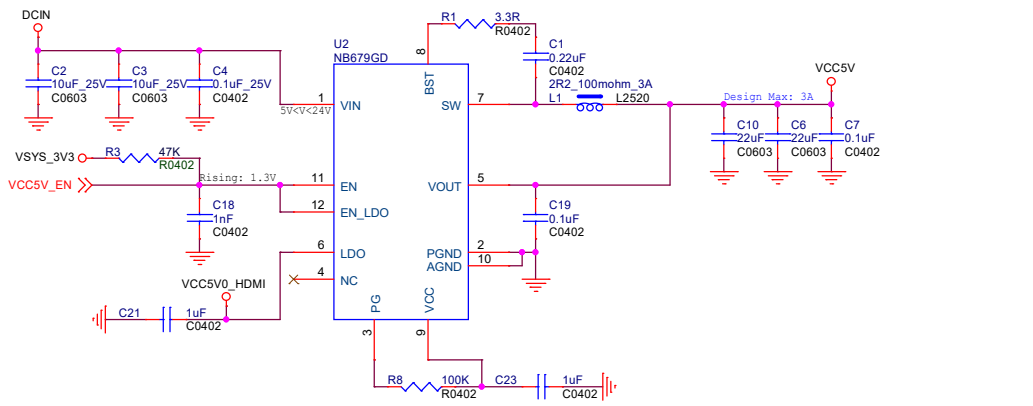
KHADASS

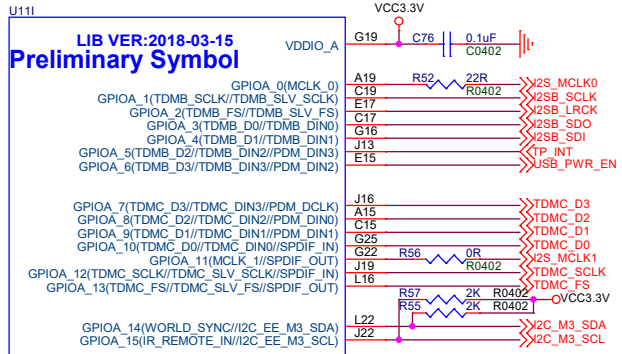
Something a little different.

Shenzhen Wesion Technology Co., Ltd.			
Project:	VIM3		
File:	Khadass		
Date:	Sunday, July 14, 2019	Rev:	V12
Designed by:	Gouwa	Sheet:	1 of 11

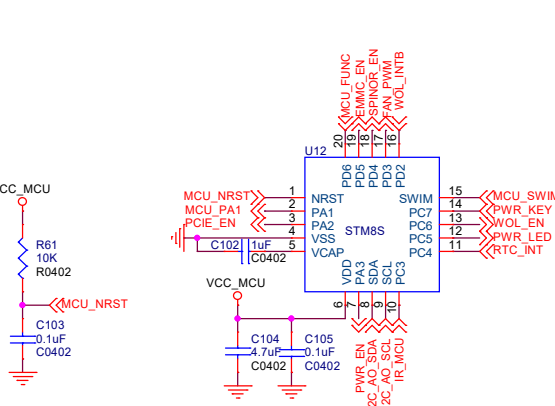
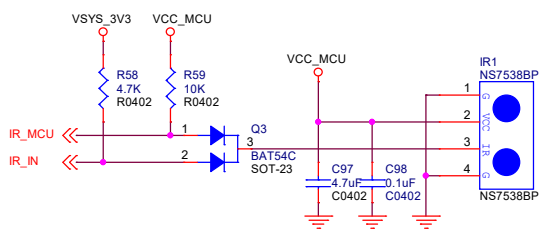


Shenzhen Wesion Technology Co., Ltd.			
Project:	VIM3		
File:	Power Tree		
Date:	Sunday, July 14, 2019	Rev:	V12
Designed by:	Gouwa	Sheet:	2 of 11

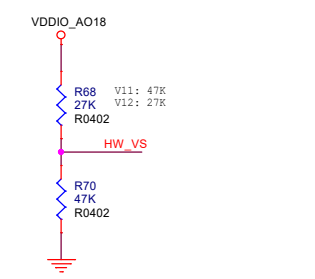
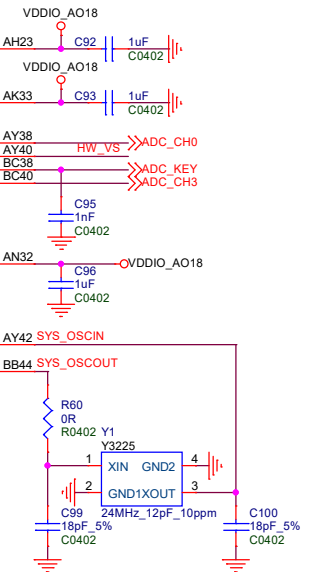
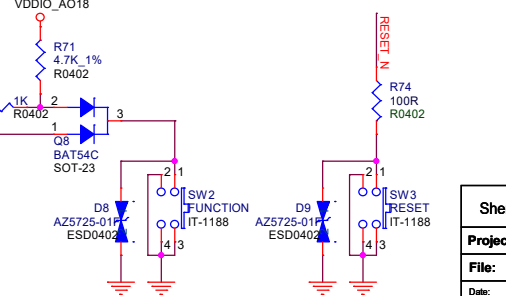
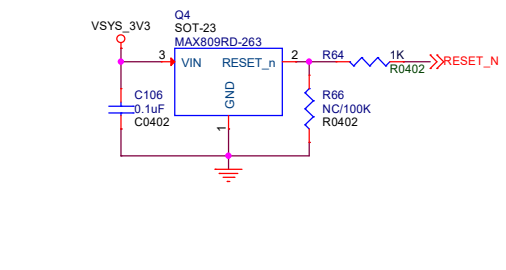
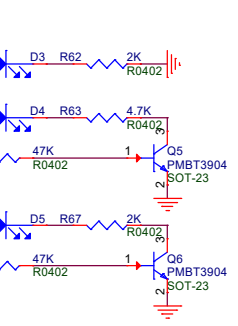
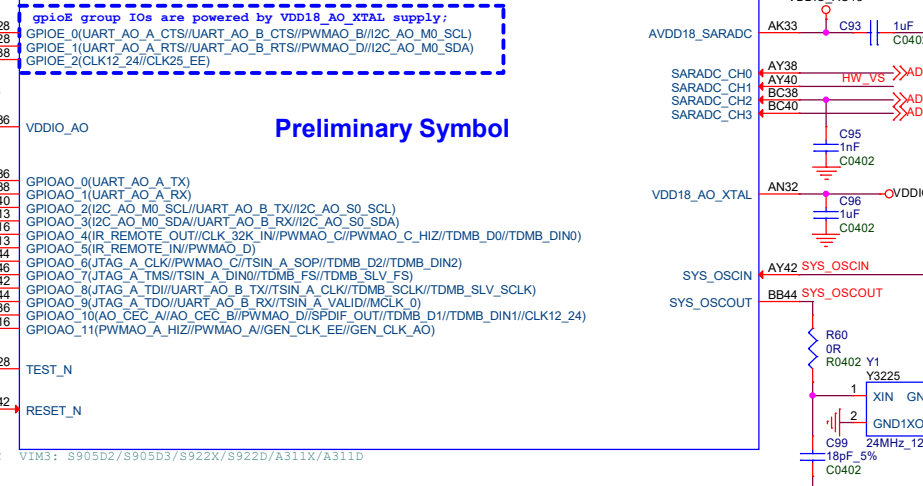
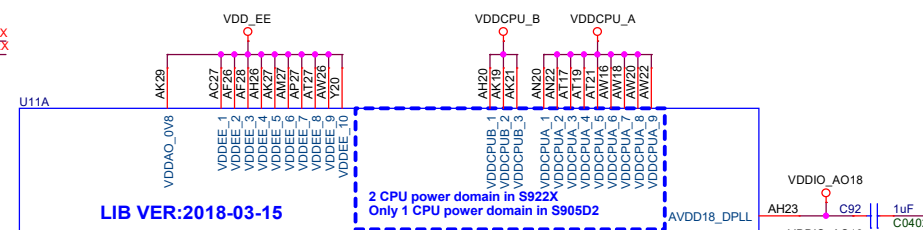
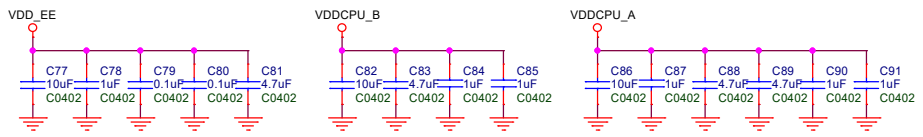
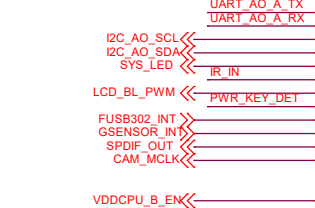
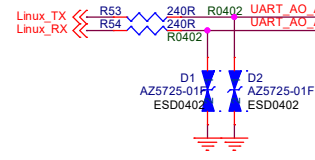
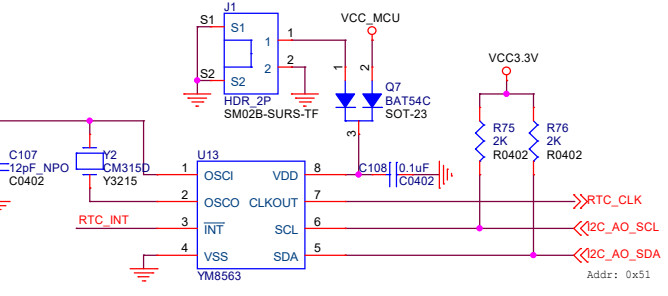




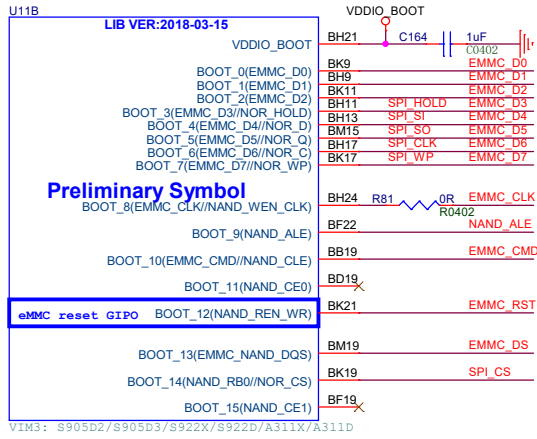
VIM3: S905D2/S905D3/S922X/S922D/A311X/A311D



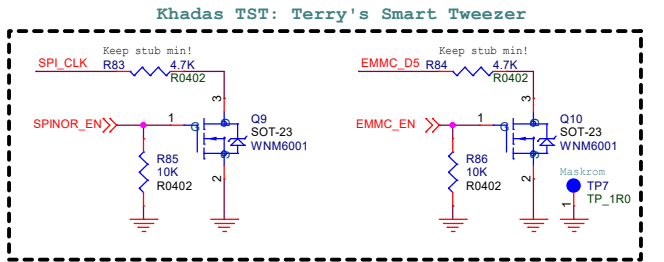
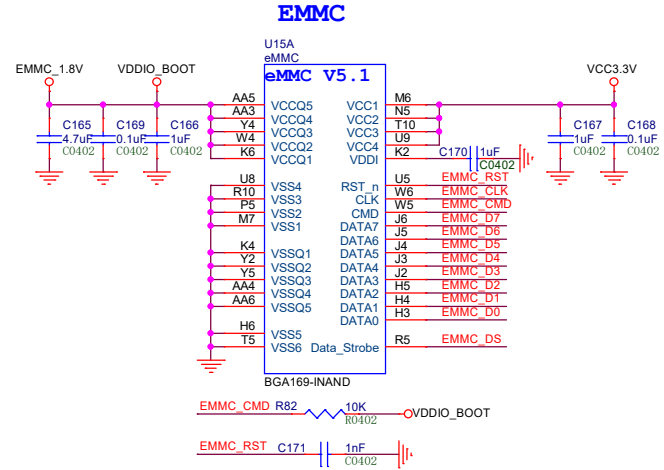
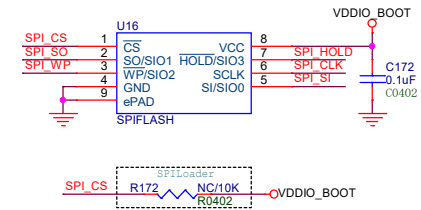
RTC Battery Header



Shenzhen Wesion Technology Co., Ltd.			
Project:	VIM3		
File:	CPU & IR & MCU & KEYS		
Date:	Thursday, July 25, 2019	Rev:	V12
Designed by:	Gouwa	Sheet:	4 of 11

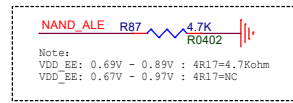
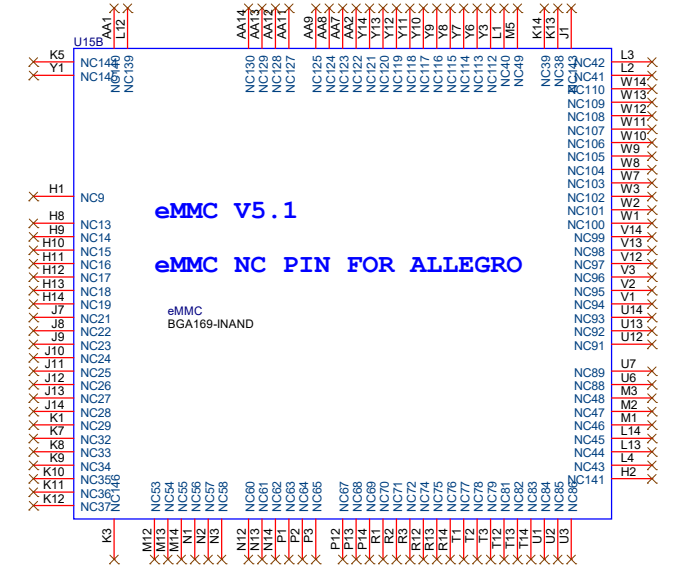


VIM3: S905D2/S905D3/S922X/S922B/S922D/A311X/A311D

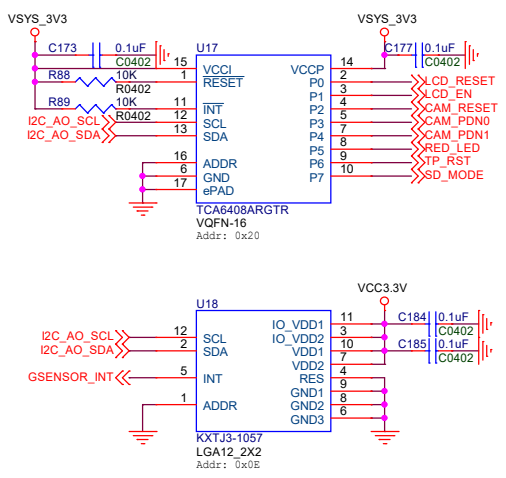
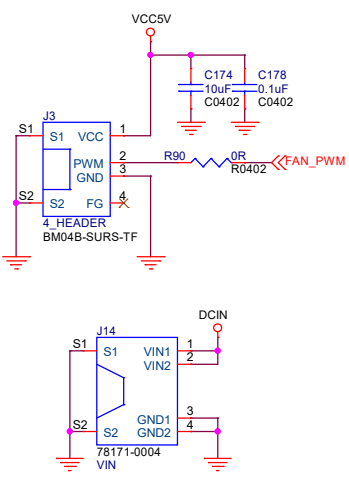


Bootimg Sequence Diagram

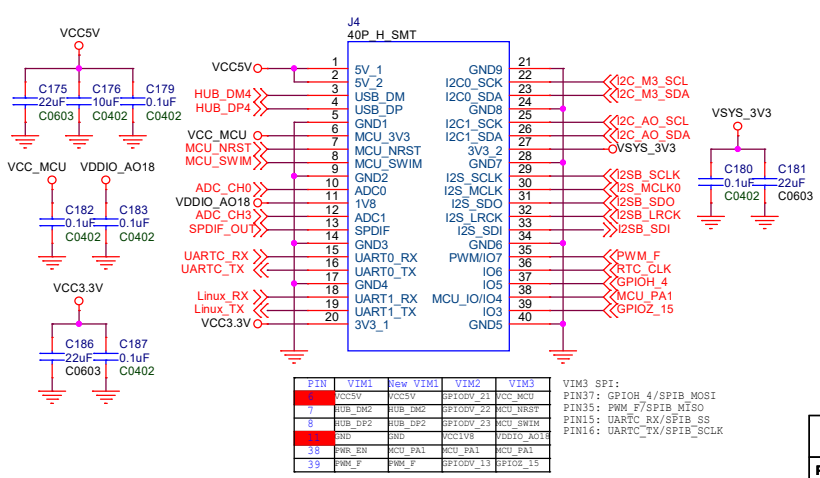
EMMC_EN	SPINOR_EN	1st Boot	2nd Boot	3rd Boot	4th Boot
0	0	eMMC	SD Card	USB	-
0	1	SPI Flash	eMMC	SD Card	USB
1	0	USB	eMMC	SD Card	-
1	1	USB	SPI Flash	eMMC	SD Card



Cooling Fan

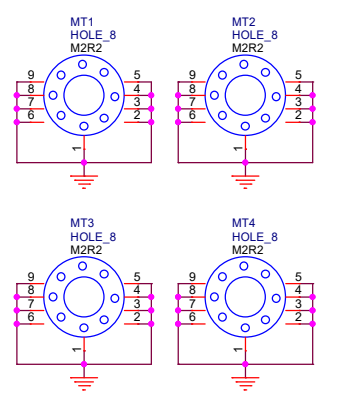


GPIO Header



PIN	VIM1	New VIM1	VIM2	VIM3	VIM3 SPI:
1	VCC5V	VCC5V	SPIIOV_21	VCC_MCU	PIN37: GPIOH_4/SPIB_MOSI
7	HUB_DM2	HUB_DM2	SPIIOV_22	MCU_NRST	PIN35: PWM_F/SPIB_MISO
8	HUB_DP2	HUB_DP2	SPIIOV_23	MCU_SWIM	PIN15: UART_RX/SPIB_CS
16	MCU_NRST	MCU_NRST	VDDIO_AO18	MCU_PAL	PIN16: UART_TX/SPIB_SCLK
18	PWM_F	PWM_F	SPIIOV_13	MCU_PAL	
19	PWM_F	PWM_F	SPIIOV_15	SPIIOV_15	

Mouting Holes



Shenzhen Wesion Technology Co., Ltd.

Project: VIM3

File: EMMC & GPIOs & Fan

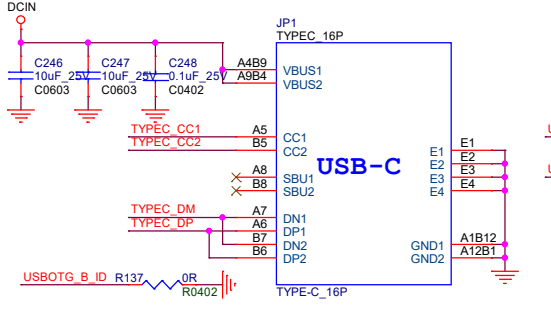
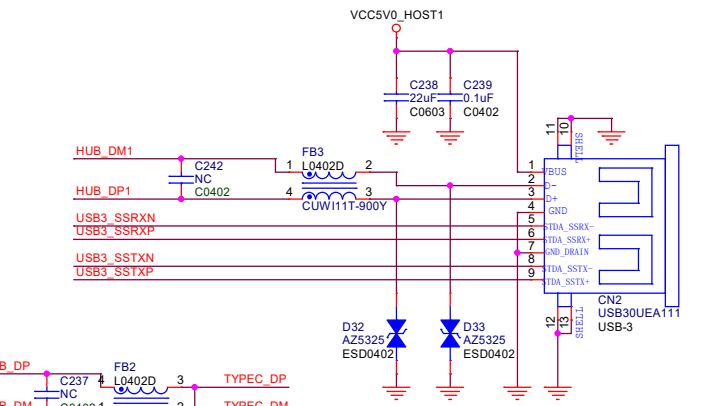
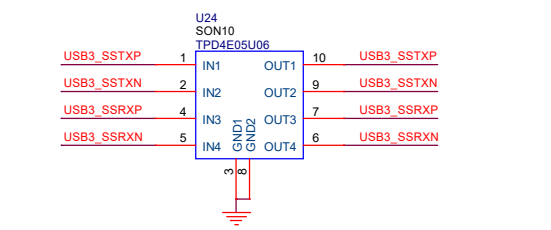
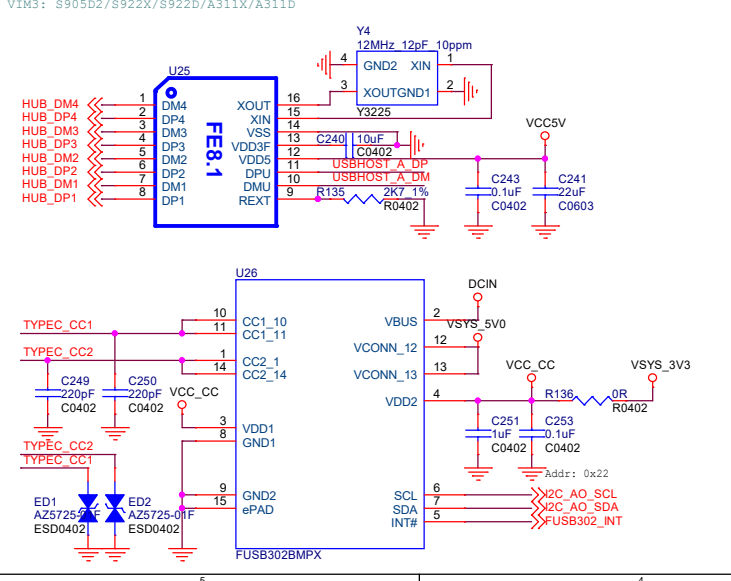
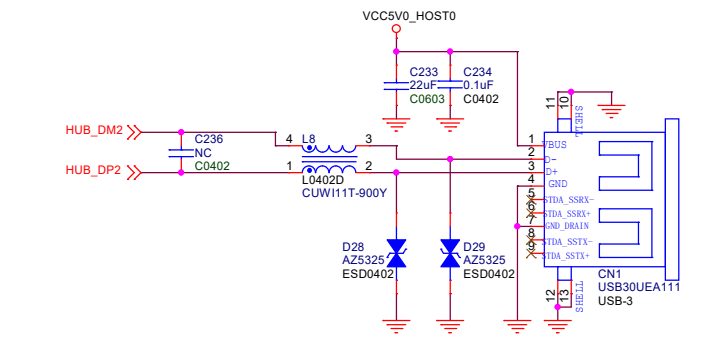
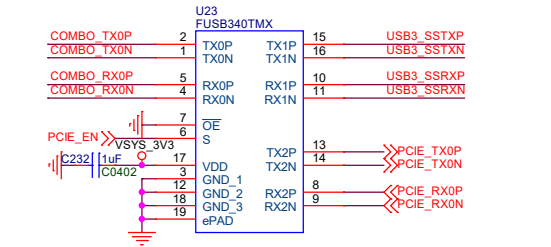
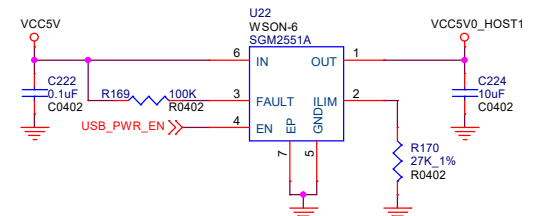
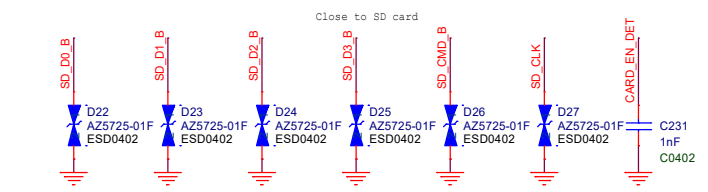
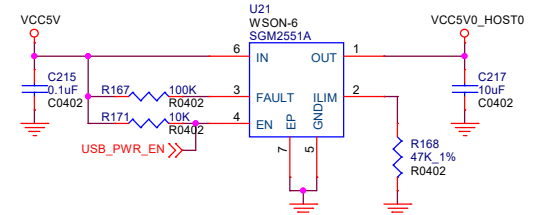
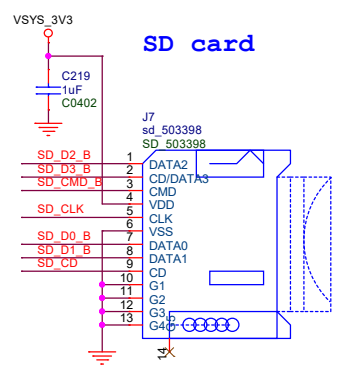
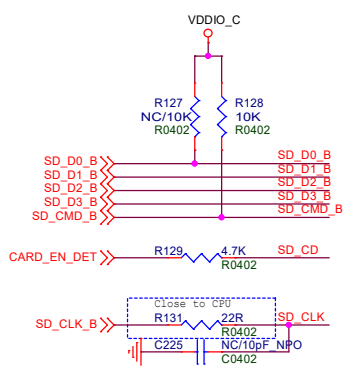
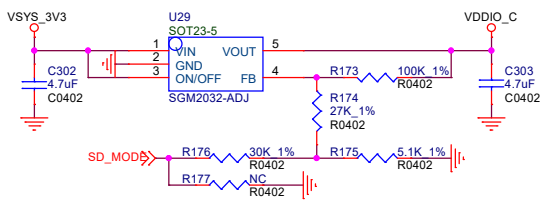
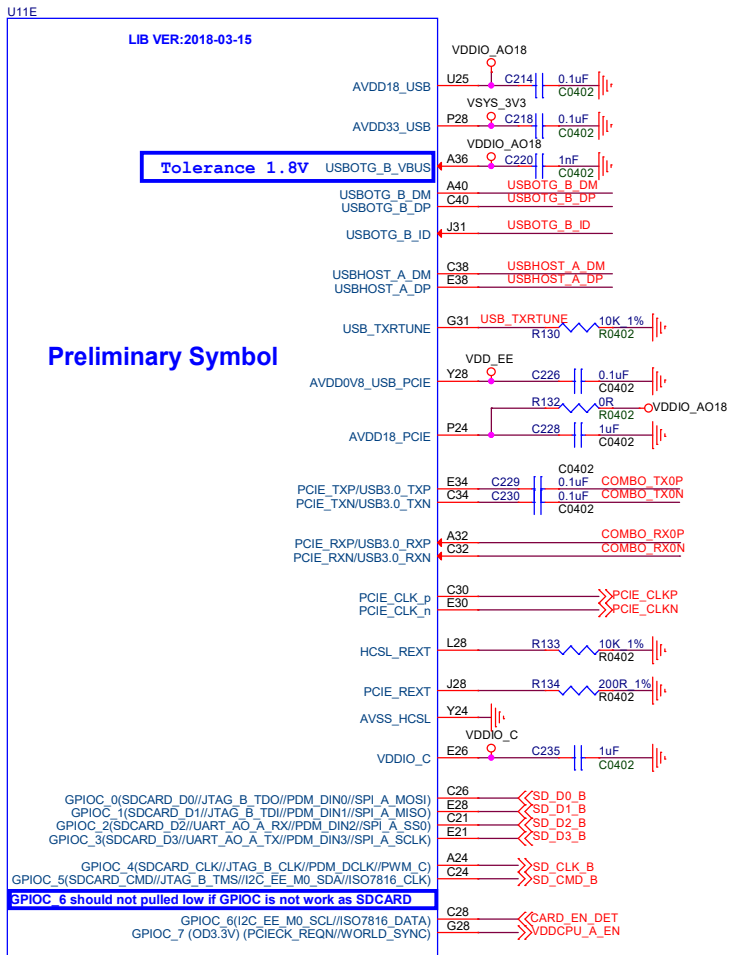
Date: Thursday, July 25, 2019

Designed by: Gouwa

Rev: V12

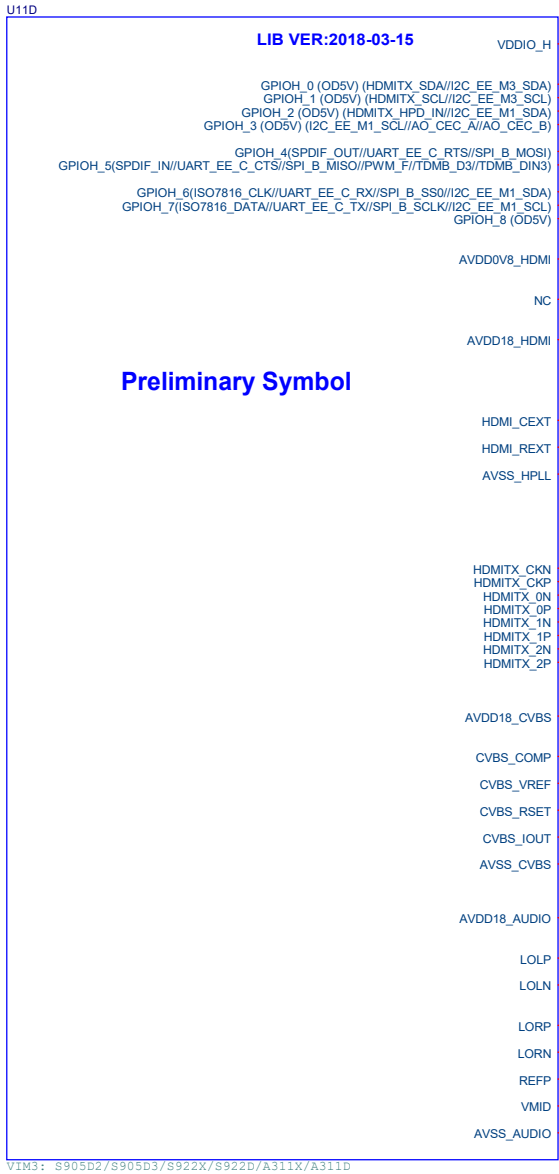
Sheet: 6 of 11

Tips: Float PIN6 & 11 to develop all VIMs compatible expand board. Check the Tone Board for reference.



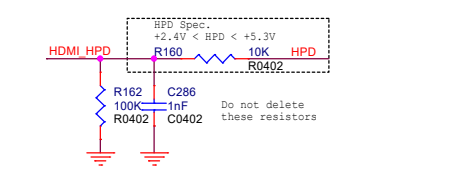
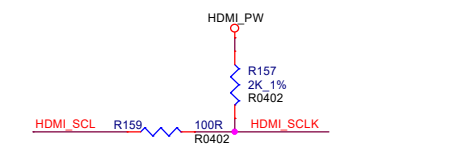
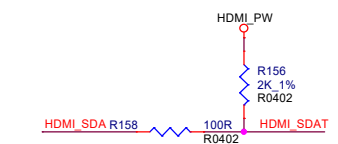
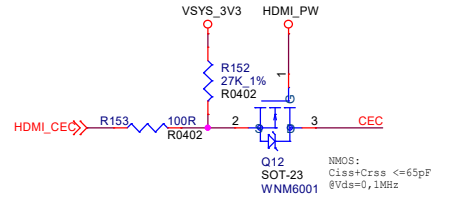
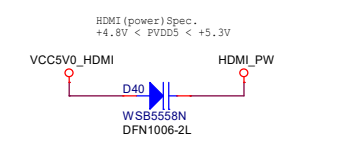
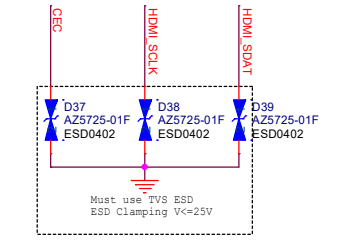
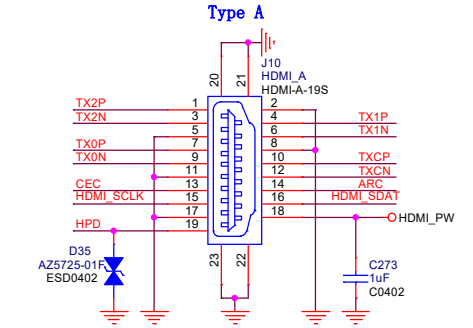
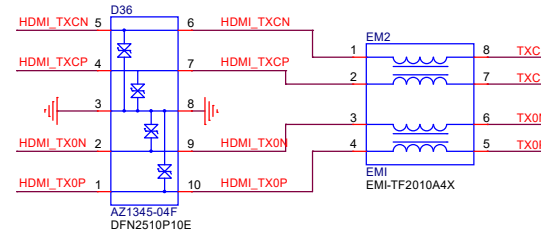
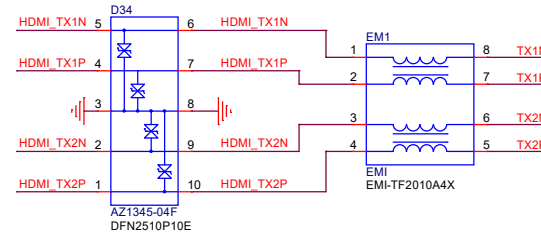
AZ5413 Footprint should mark polarity

Shenzhen Wesion Technology Co., Ltd.			
Project:	VIM3	Rev:	V12
File:	USB & SD	Designed by:	Gouwa
Date:	Thursday, July 25, 2019	Sheet:	8 of 11



Preliminary Symbol

HDMI output



Shenzhen Wesion Technology Co., Ltd.			
Project:	VIM3		
File:	HDMI & CVBS		
Date:	Thursday, July 25, 2019	Rev:	V12
Designed by:	Gouwa	Sheet:	10 of 11

U11H

LIB VER:2018-03-15

Preliminary Symbol

AVDD18_MIPIDSI

DSI_CLKN
DSI_CLKP

DSI_D0N
DSI_D0P

DSI_D1N
DSI_D1P

DSI_D2N
DSI_D2P

DSI_D3N
DSI_D3P

DSI_CEXT

DSI_R600

DSI_R1K

NC(AVDD18_MIPICSI)

NC(CSI_CLKB_N)
NC(CSI_CLKB_P)

NC(CSI_D3_N)
NC(CSI_D3_P)

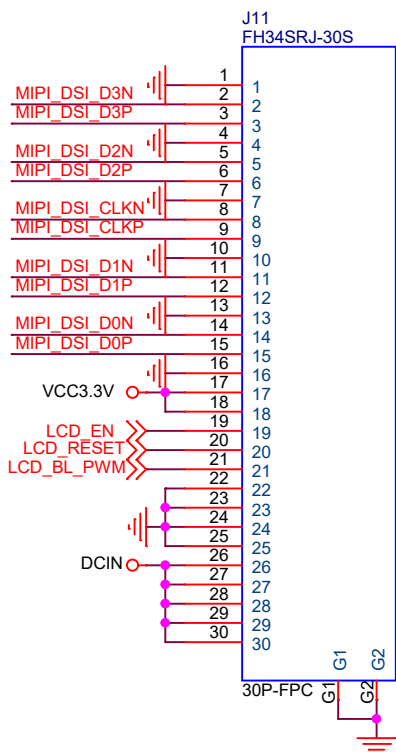
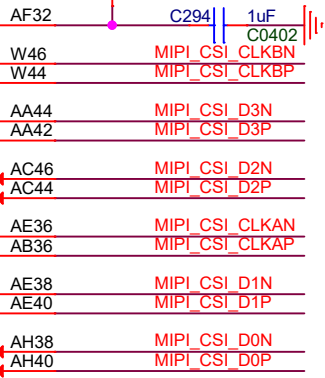
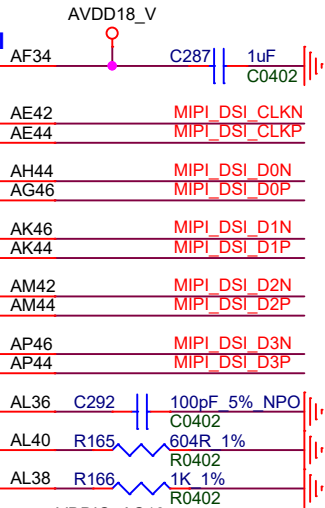
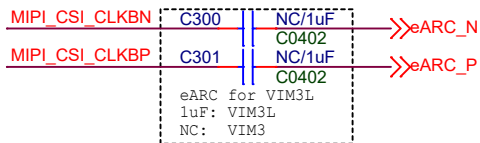
NC(CSI_D2_N)
NC(CSI_D2_P)

NC(CSI_CLKA_N)
NC(CSI_CLKA_P)

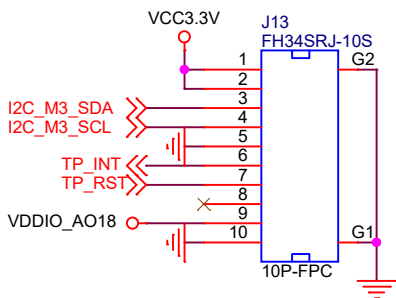
NC(CSI_D1_N)
NC(CSI_D1_P)

NC(CSI_D0_N)
NC(CSI_D0_P)

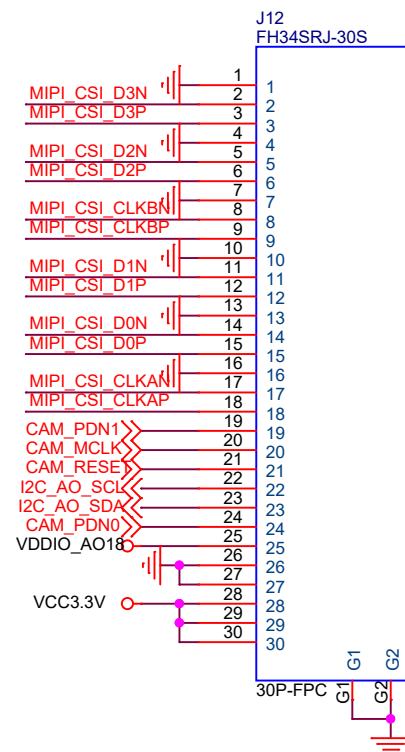
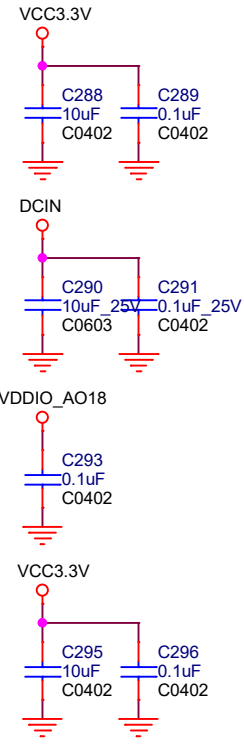
VIM3: S905D2/S905D3
S922X/S922D/
A311X/A311D



MIPI-DSI



TP



Camera0

Shenzhen Wesion Technology Co., Ltd.			
Project:	VIM3		
File:	MIPI		
Date:	Thursday, July 25, 2019	Rev:	V12
Designed by:	Gouwa	Sheet:	11 of 11