

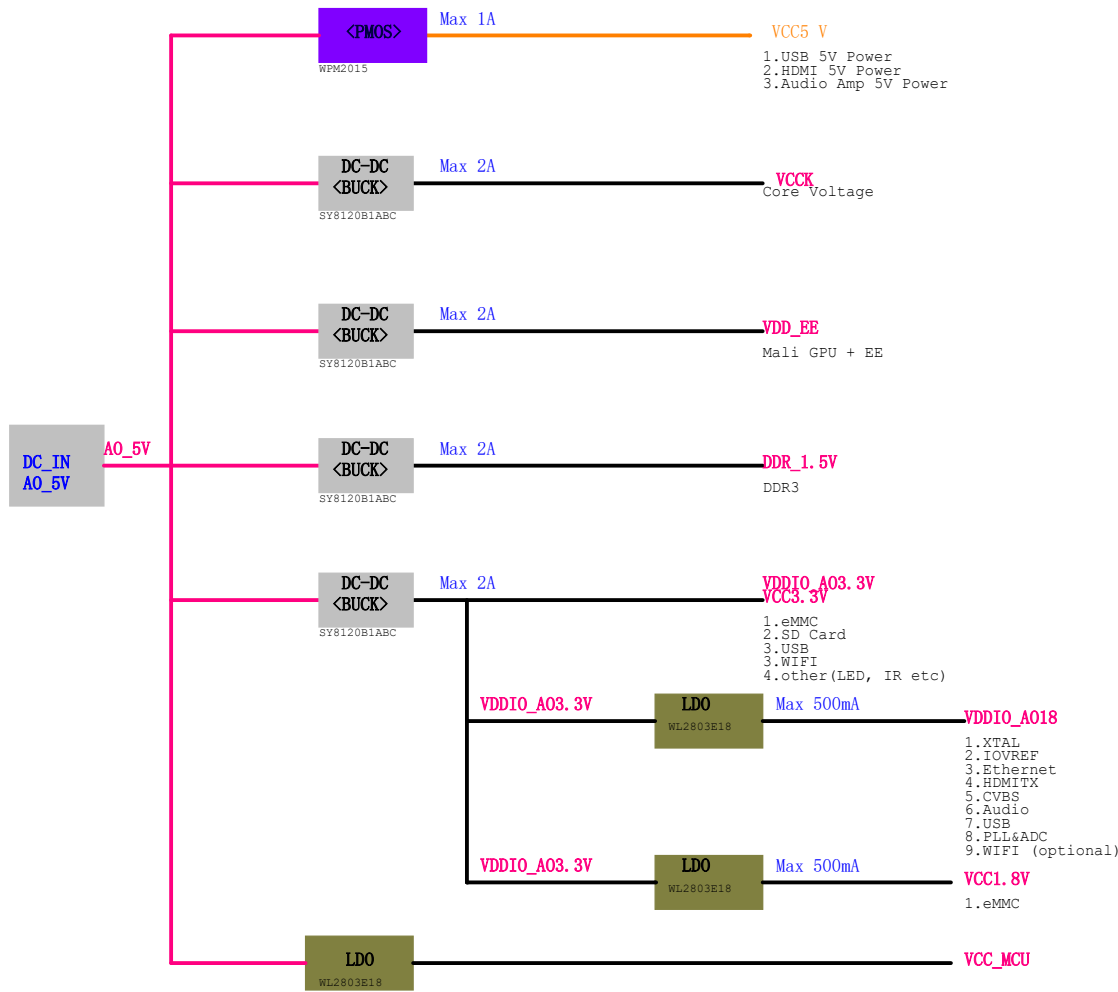


KHADAS

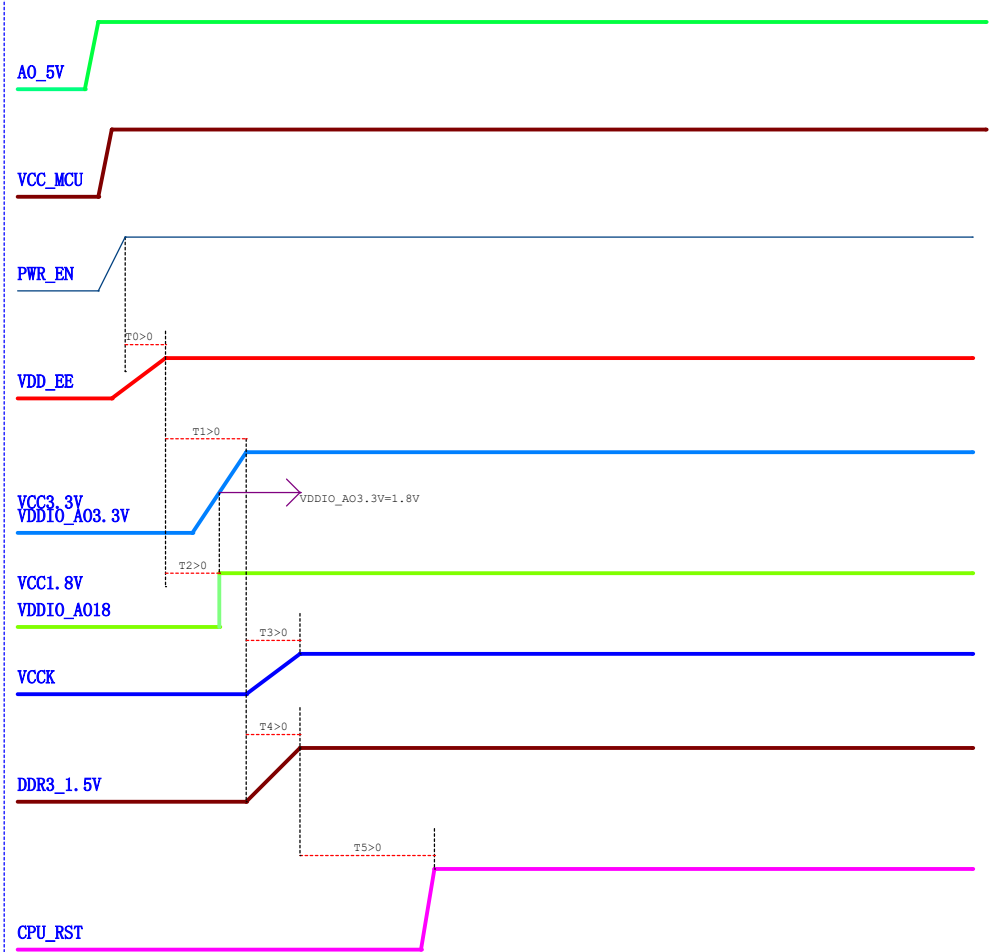
Something a little different.

Shenzhen Wesion Technology Co., Ltd.			
Project:	VIM1		
File:	Power tree & timings		
Date:	Wednesday, August 28, 2019	Rev:	V14
Designed by:	Gouwa	Sheet:	1 of 10

Power Tree :



Power On Sequence :



Page index

- P01 Blank
- P02 Power Timings
- P03 POWER
- P04 CPU & IR & Keys & RTC
- P05 DDR3
- P06 eMMC & GPIO
- P07 Ethernet
- P08 USB & SDCard
- P09 WIFI & BT
- P10 HDMI & CVBS

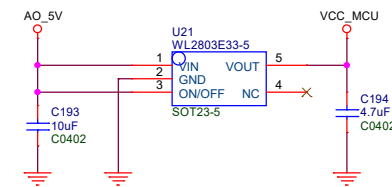
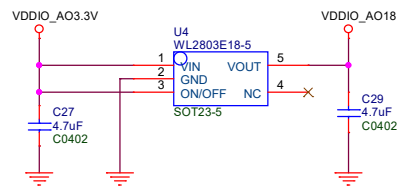
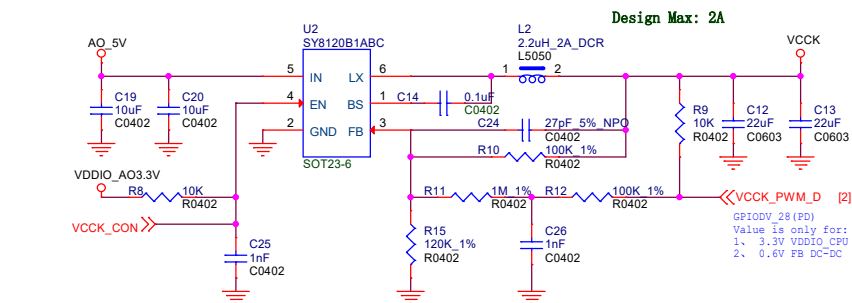
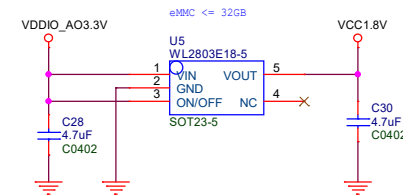
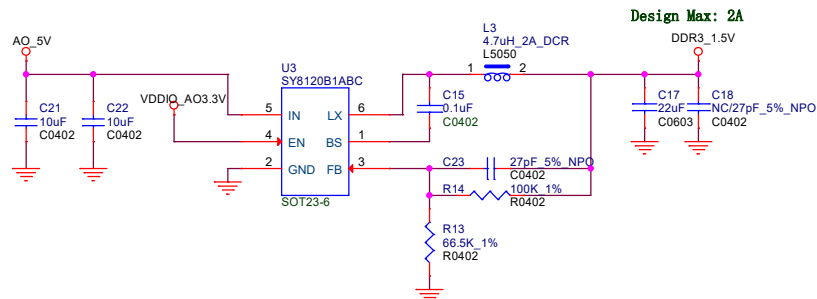
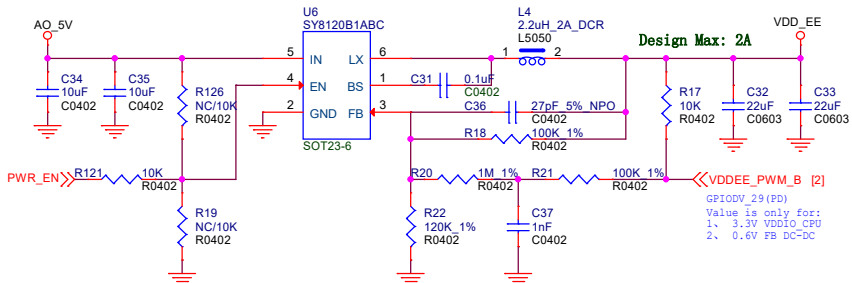
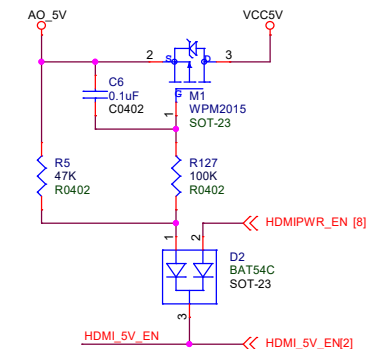
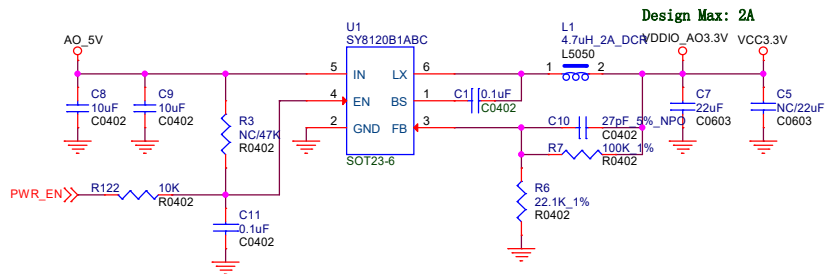
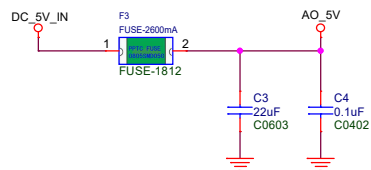
Shenzhen Wesion Technology Co., Ltd.

Project: VIM1

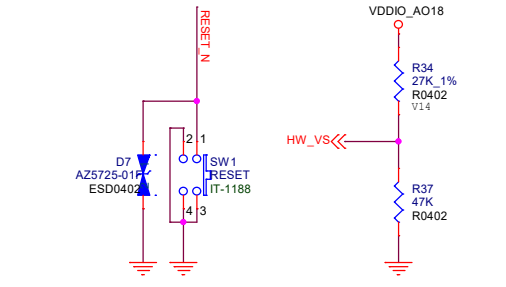
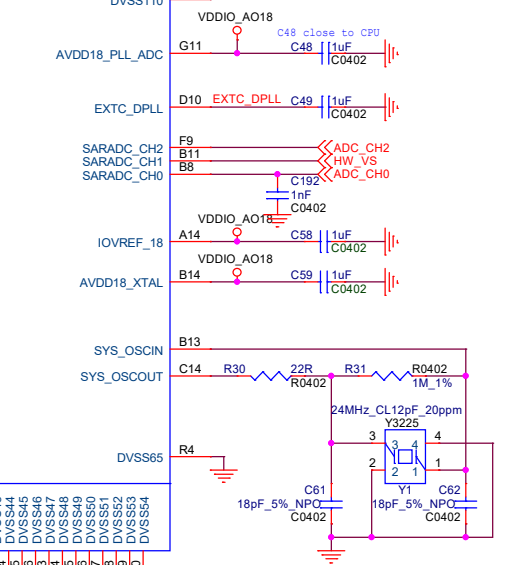
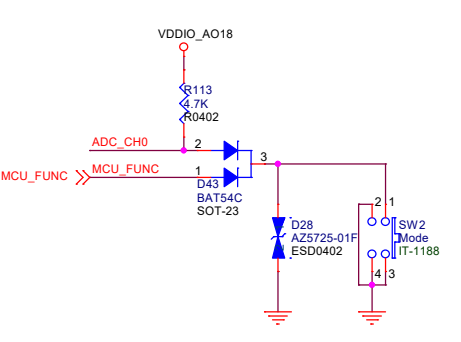
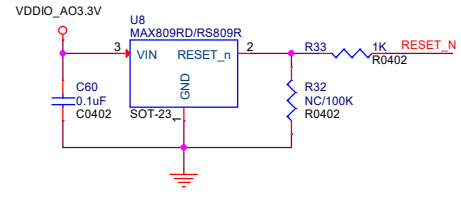
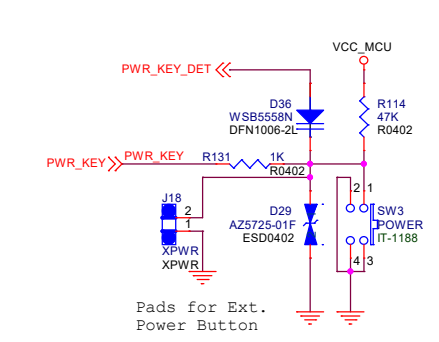
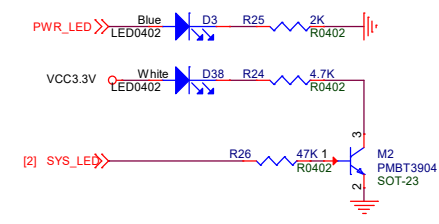
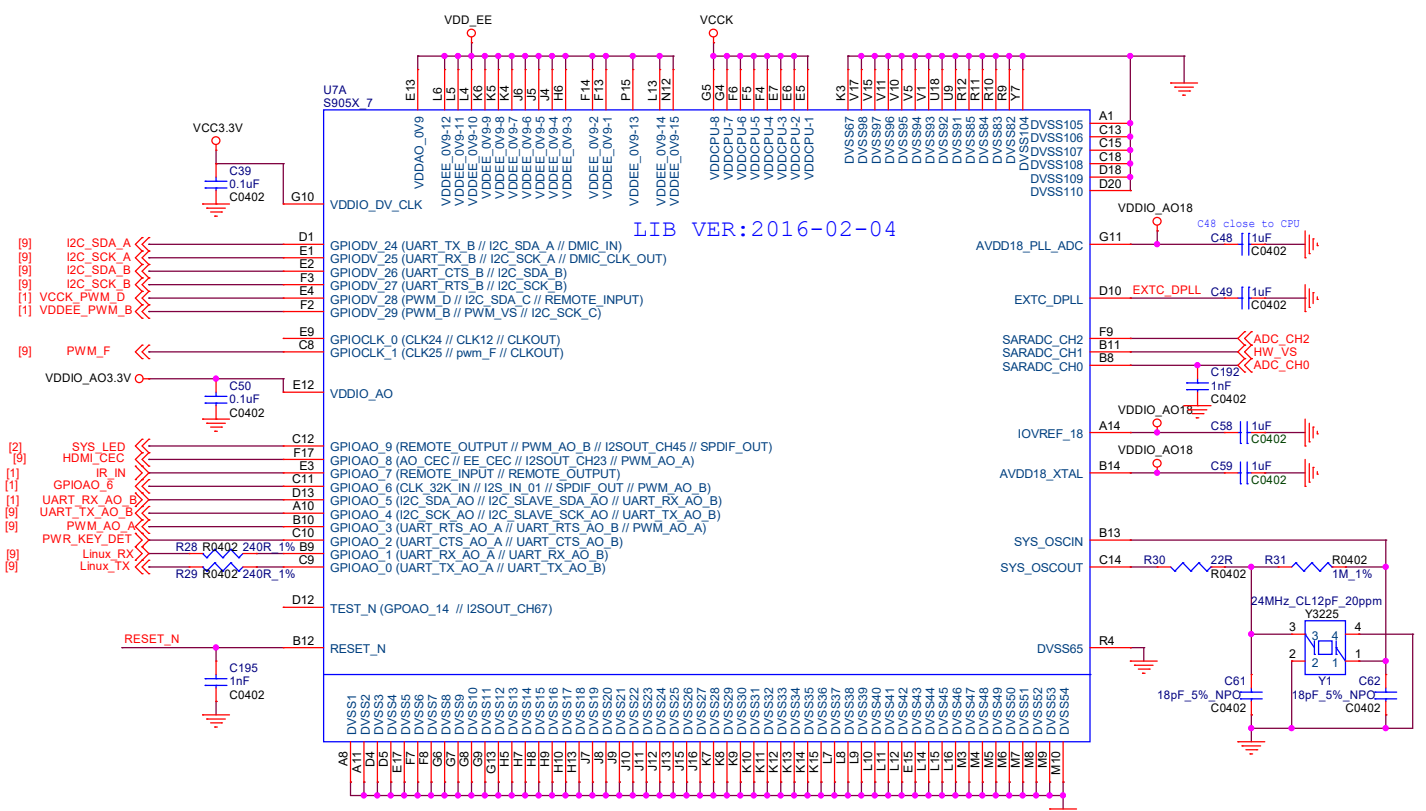
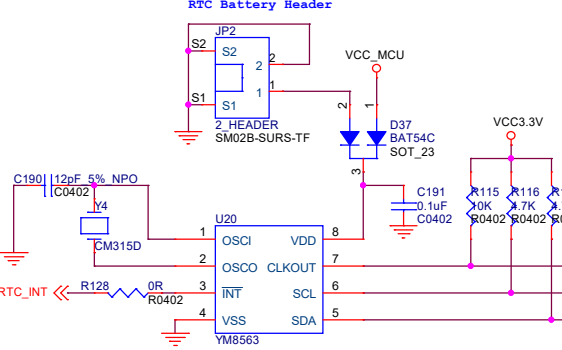
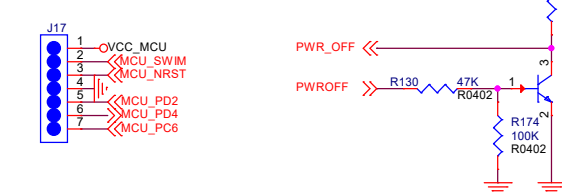
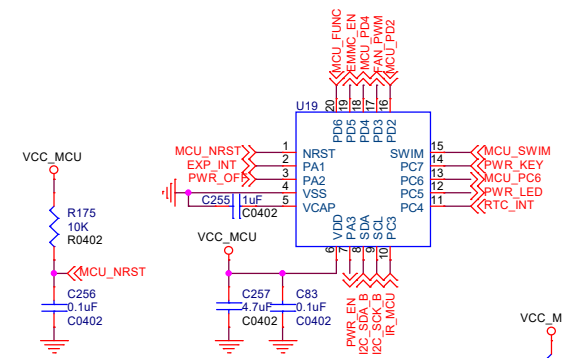
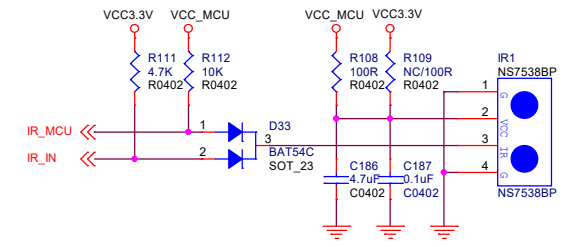
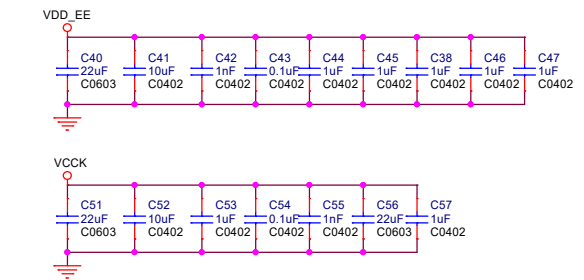
File: Power tree & timings

Date: Wednesday, August 28, 2019 Rev: V14

Designed by: Gouwa Sheet: 2 of 10

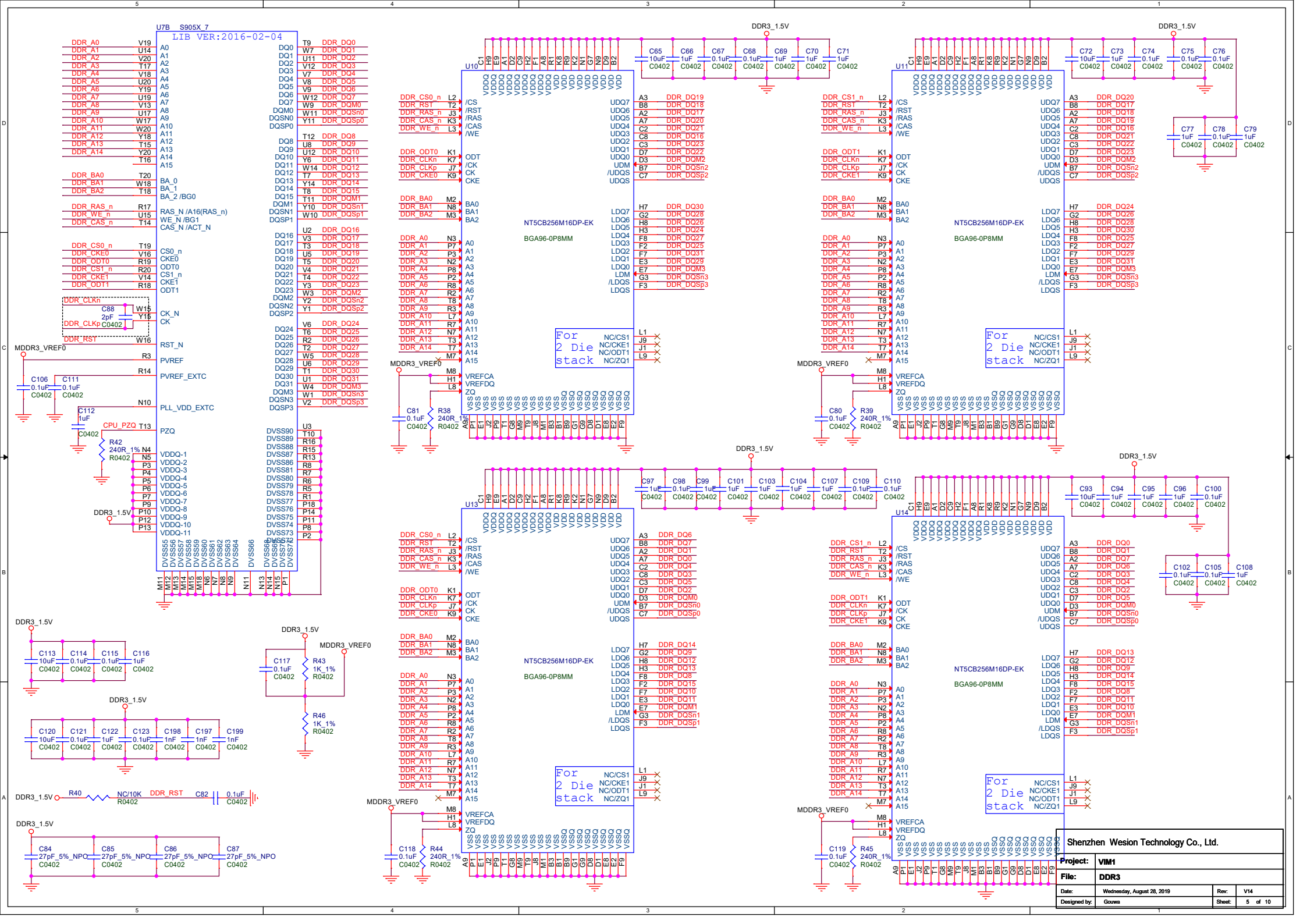


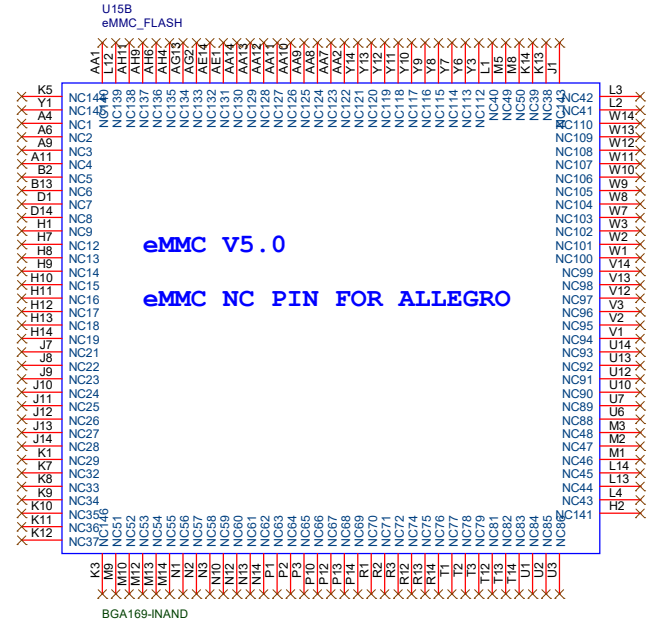
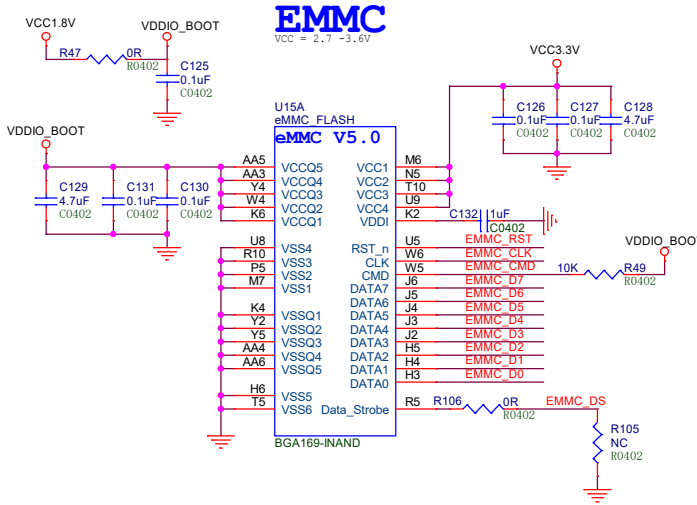
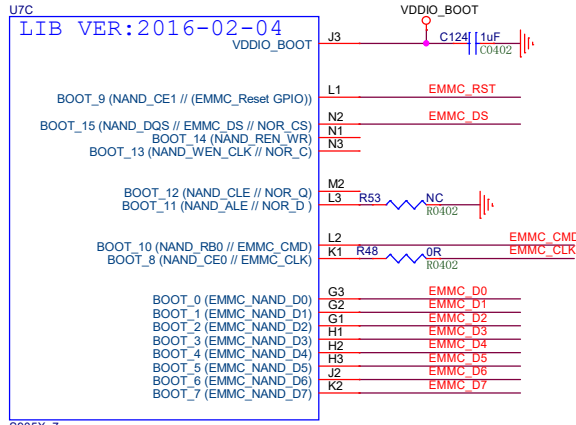
Shenzhen Wesion Technology Co., Ltd.			
Project:	VIM1		
File:	Power		
Date:	Wednesday, August 28, 2019	Rev:	V14
Designed by:	Gouwa	Sheet:	3 of 10



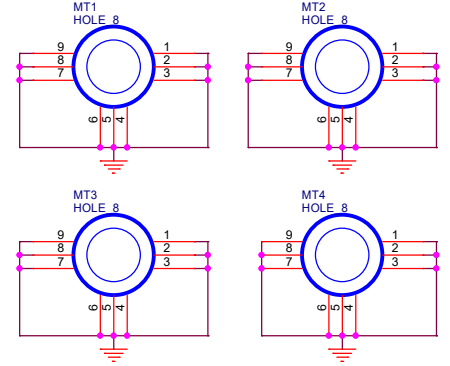
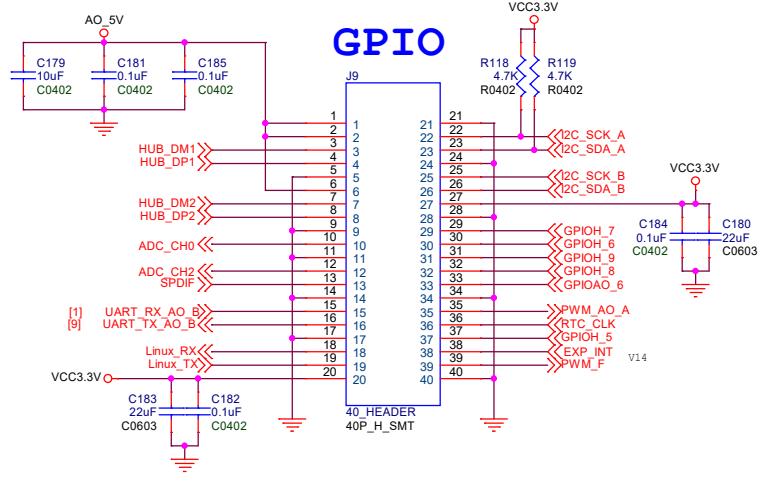
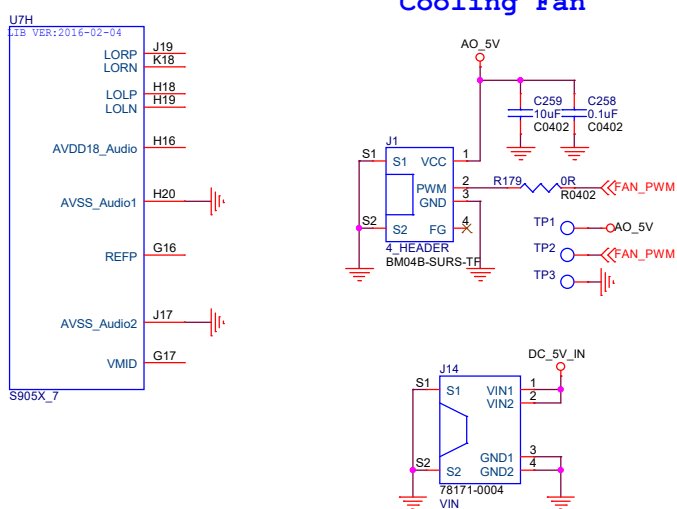
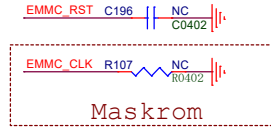
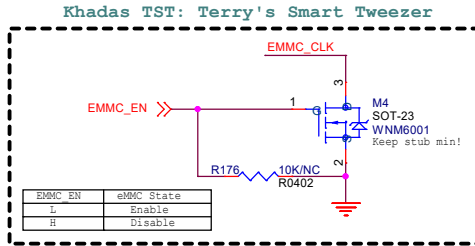
LIB VER:2016-02-04

Shenzhen Wesion Technology Co., Ltd.			
Project:	VM11		
File:	CPU & IR & MCU & KEYS		
Date:	Wednesday, August 28, 2019	Rev:	V14
Designed by:	Gouwa	Sheet:	4 of 10

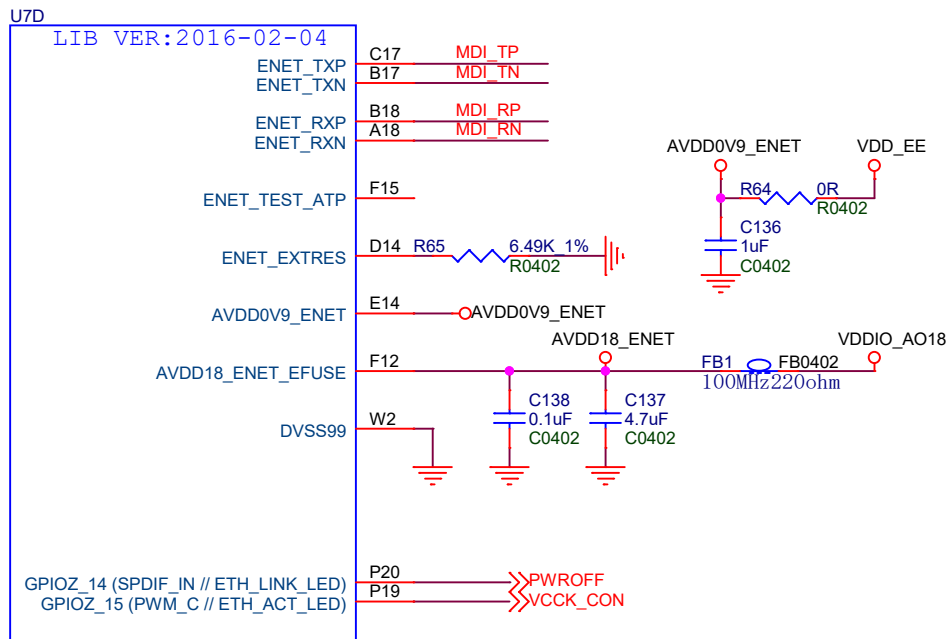
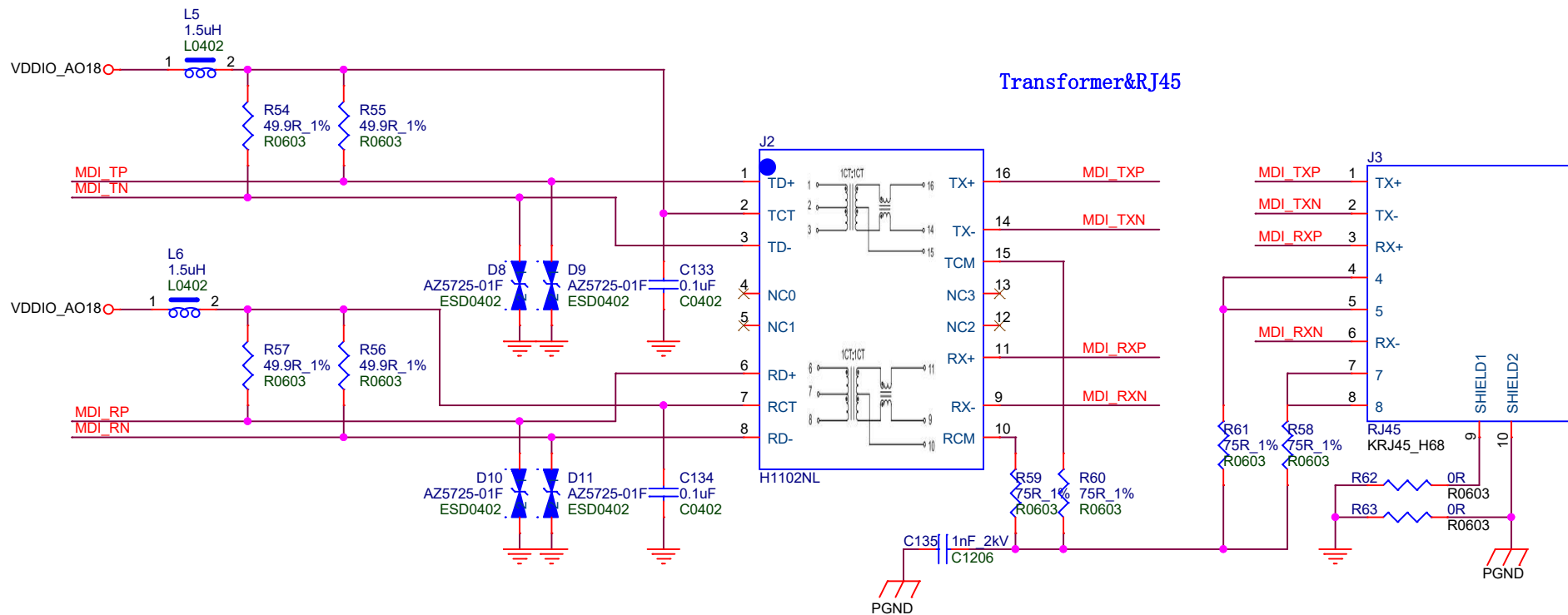




eMMC V5.0
eMMC NC PIN FOR ALLEGRO

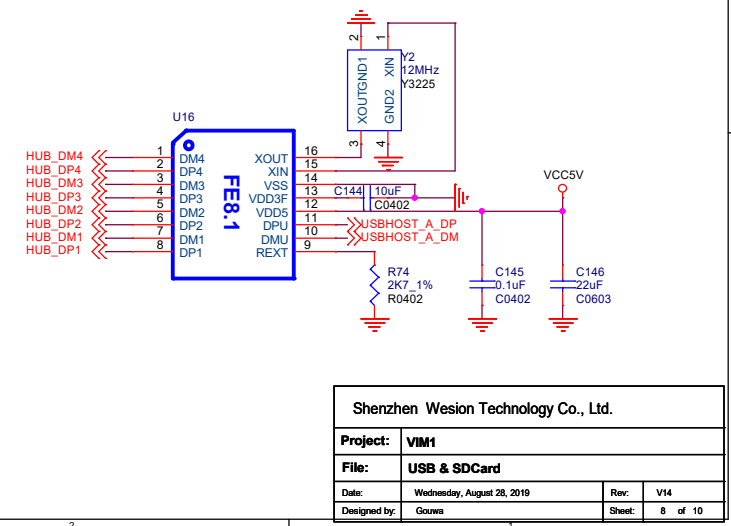
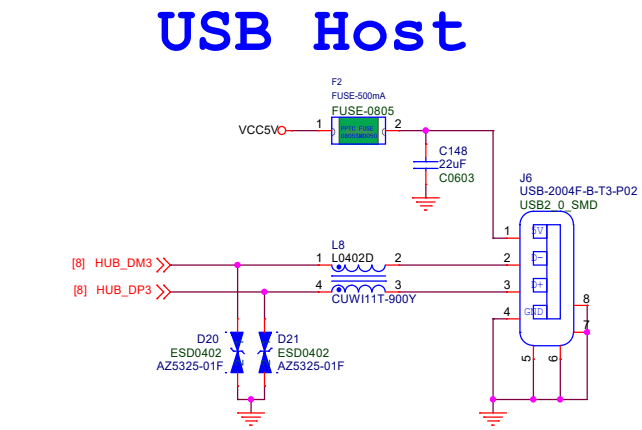
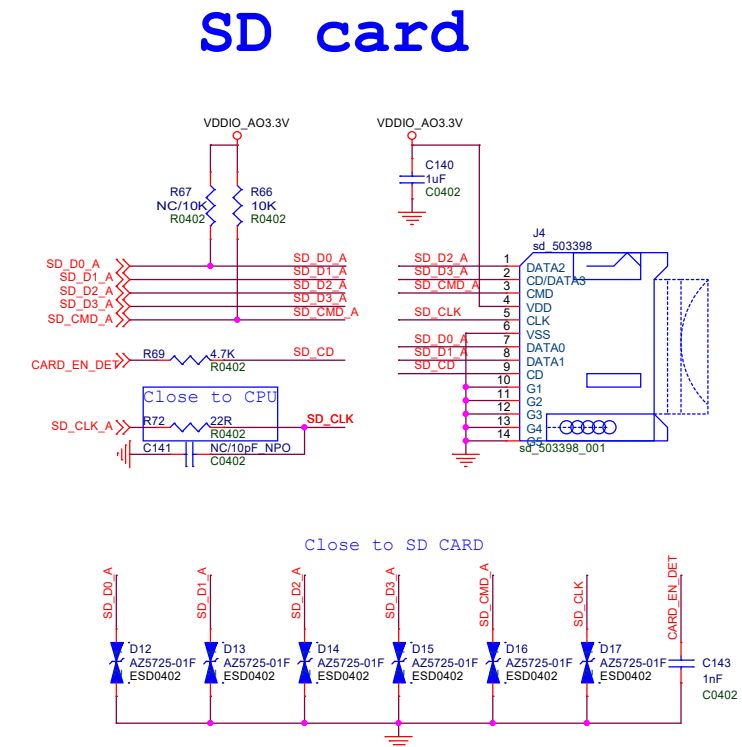
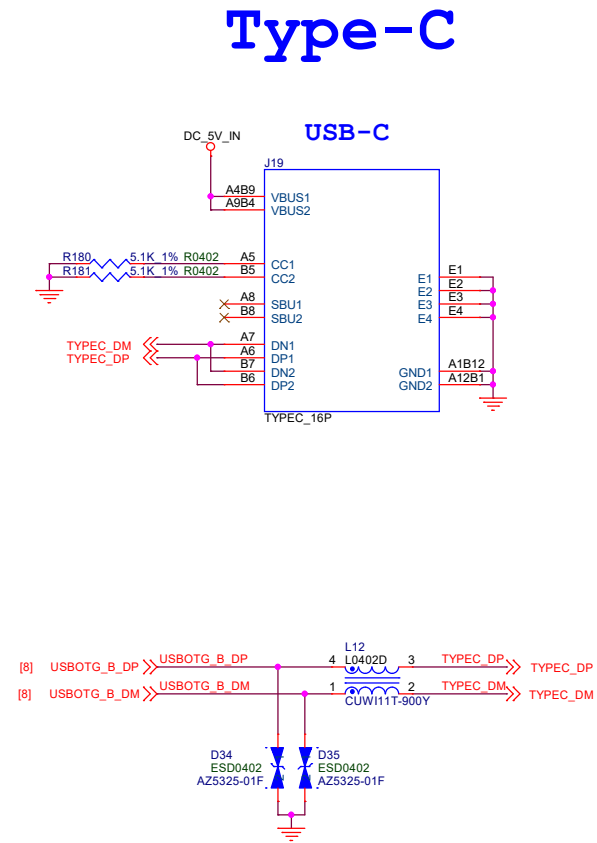
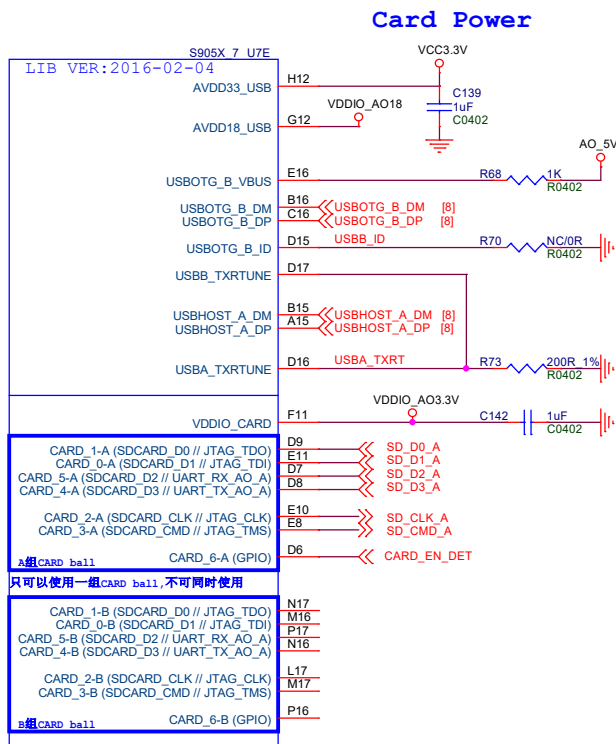


Shenzhen Wesion Technology Co., Ltd.			
Project:	VIM1		
File:	EMMC & GPIOs		
Date:	Wednesday, August 28, 2019	Rev:	V14
Designed by:	Gouwa	Sheet:	6 of 10

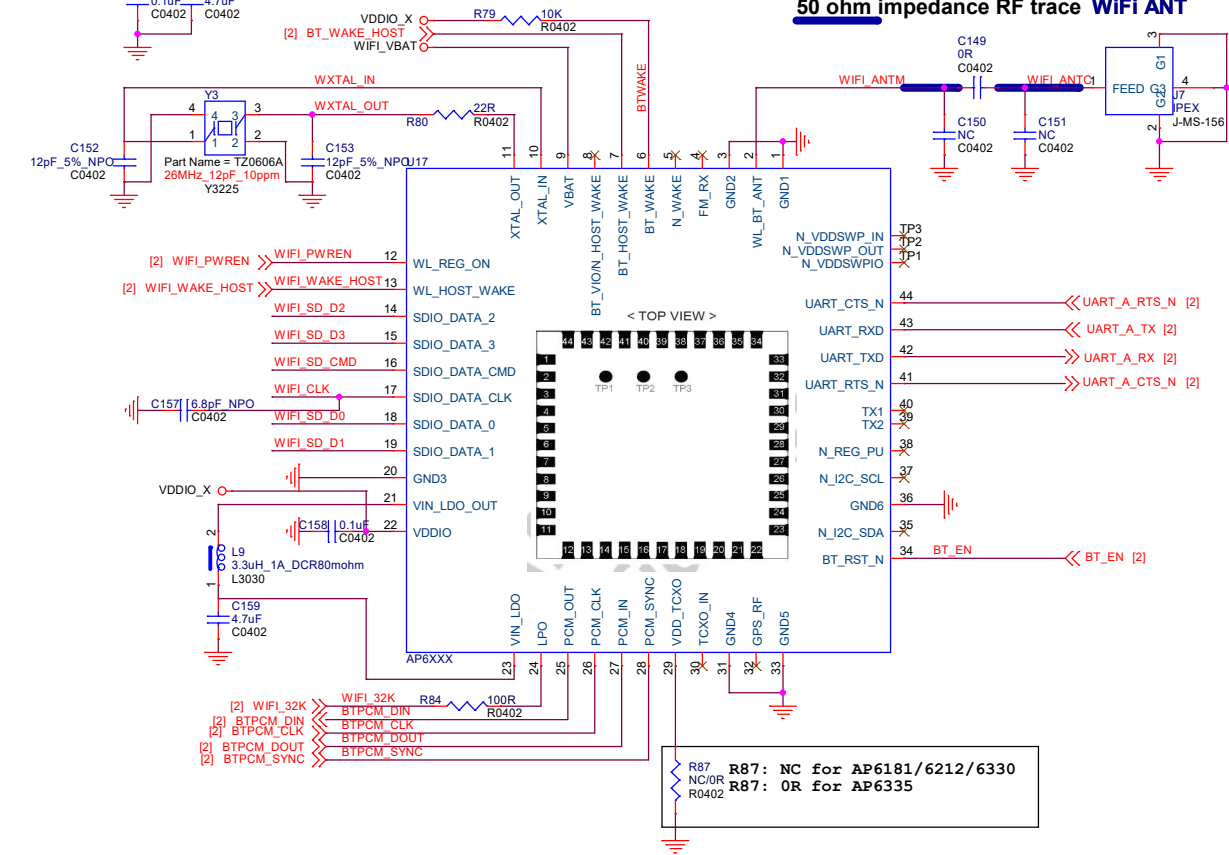
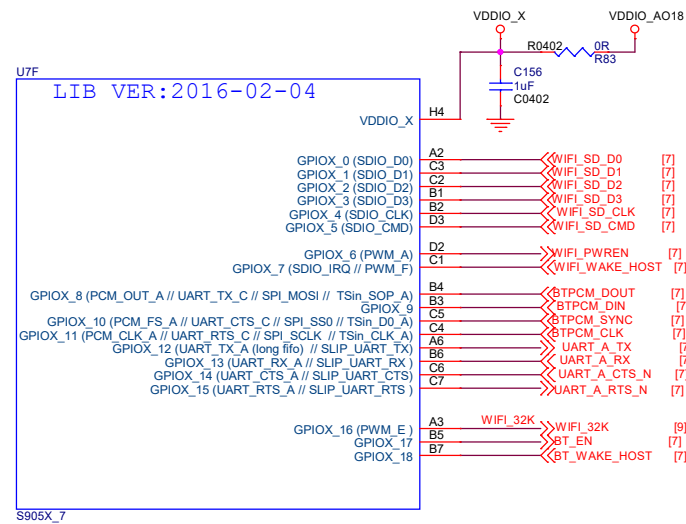
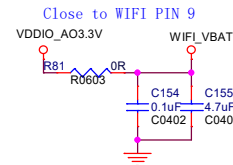
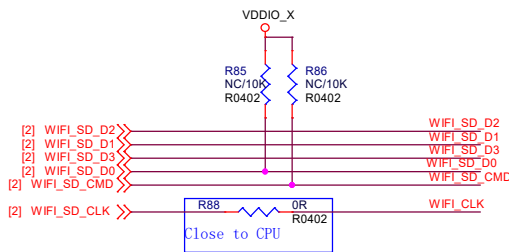


S905X_7

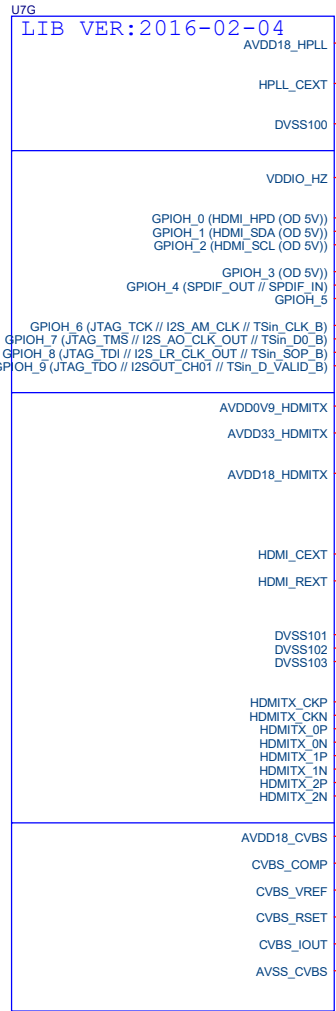
Shenzhen Wesion Technology Co., Ltd.			
Project:	VIM1		
File:	Ethernet		
Date:	Wednesday, August 28, 2019	Rev:	V14
Designed by:	Gouwa	Sheet:	7 of 10



Shenzhen Wesion Technology Co., Ltd.			
Project:	VM1		
File:	USB & SDCard		
Date:	Wednesday, August 28, 2019	Rev:	V14
Designed by:	Gouwa	Sheet:	8 of 10

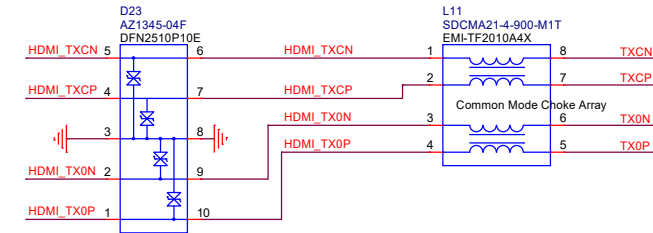
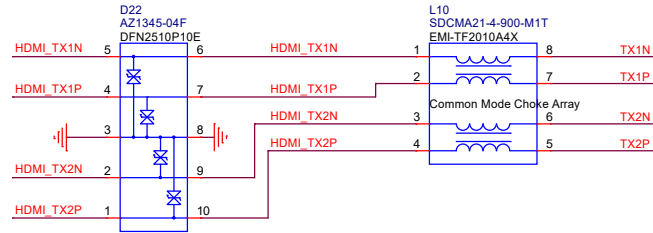


Shenzhen Wesion Technology Co., Ltd.			
Project:	VIM1		
File:	WIFI & BT		
Date:	Wednesday, August 28, 2019	Rev:	V14
Designed by:	Gouwa	Sheet:	9 of 10

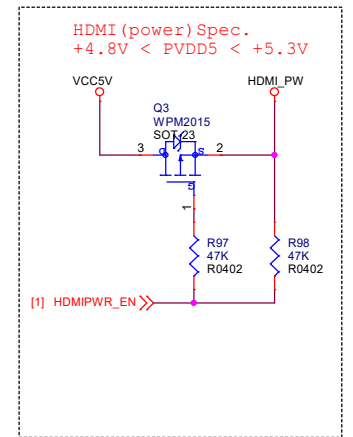
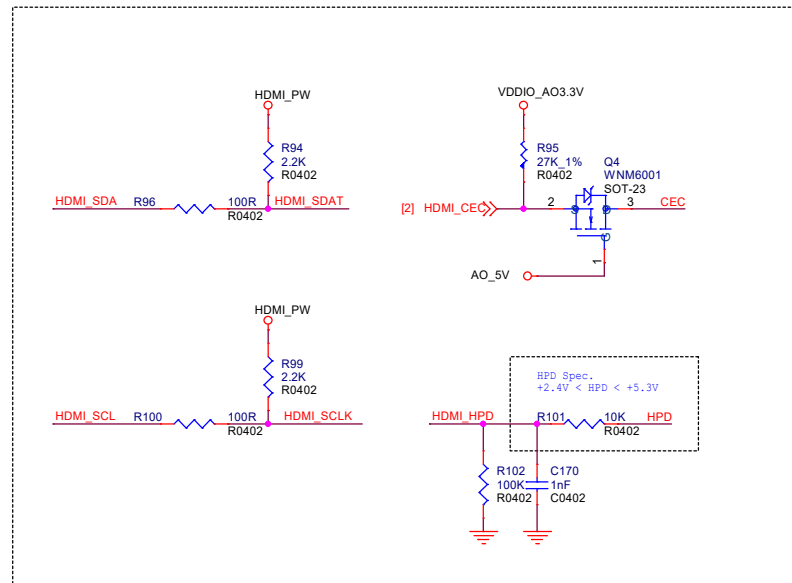
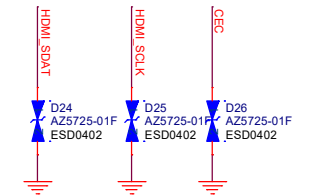
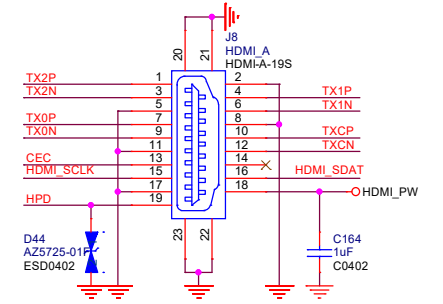


S905X_7

HDMI output



Type A



Shenzhen Wesion Technology Co., Ltd.			
Project:	VIM1		
File:	HDMI		
Date:	Wednesday, August 28, 2019	Rev:	V14
Designed by:	Gouwa	Sheet:	10 of 10