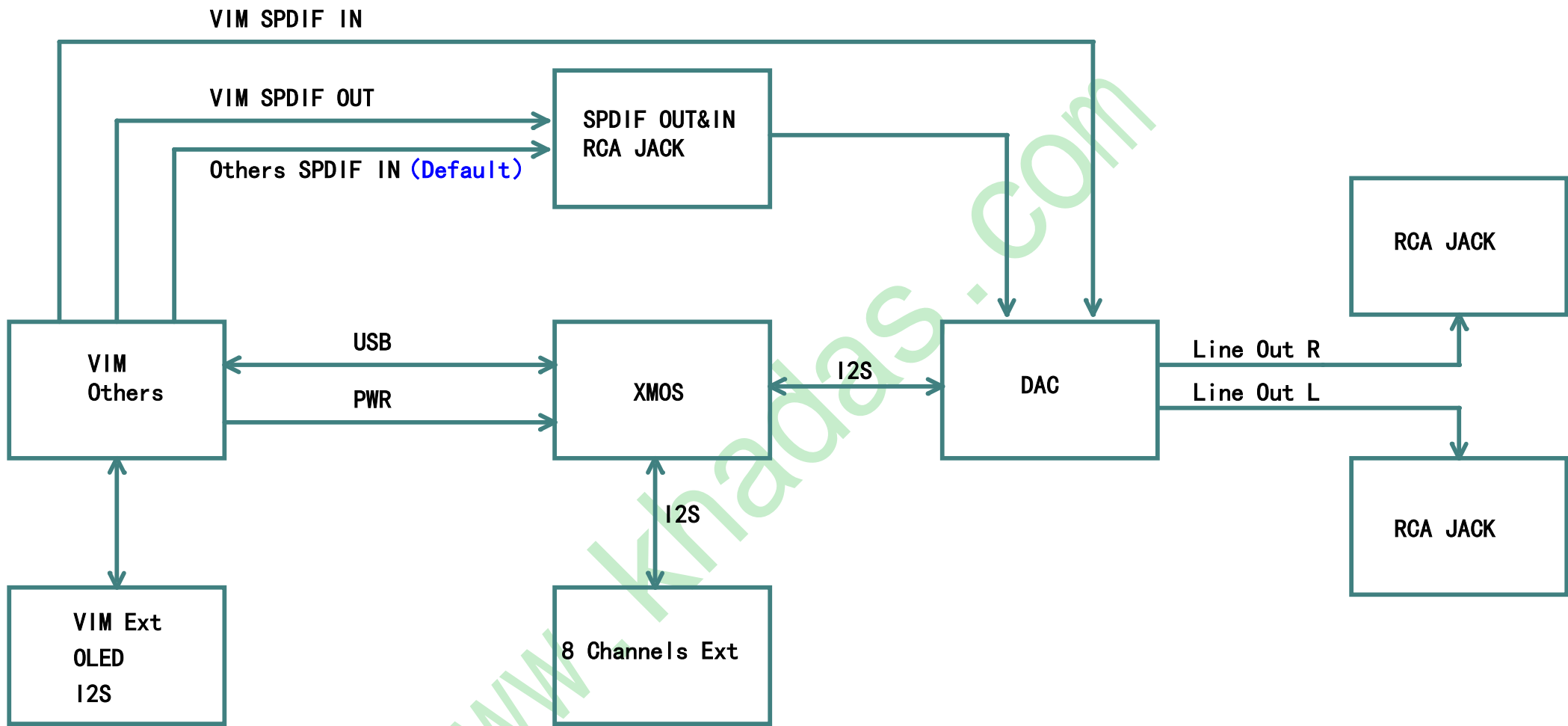


# Khadas . com

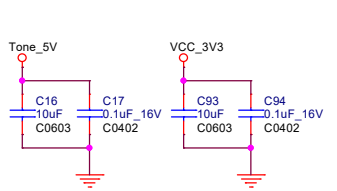
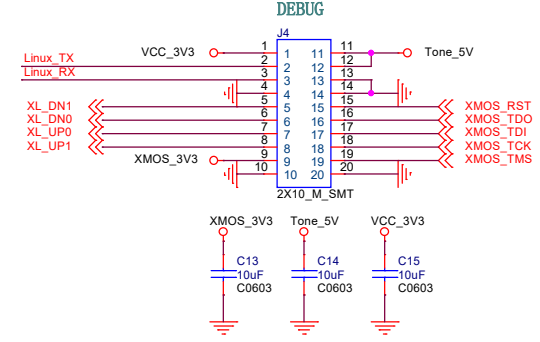
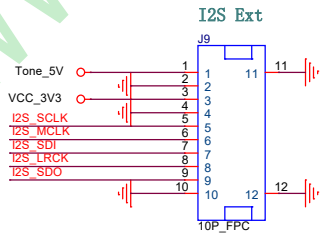
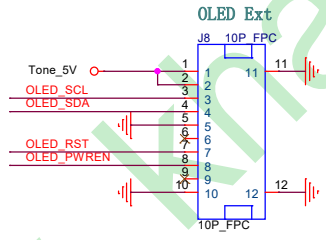
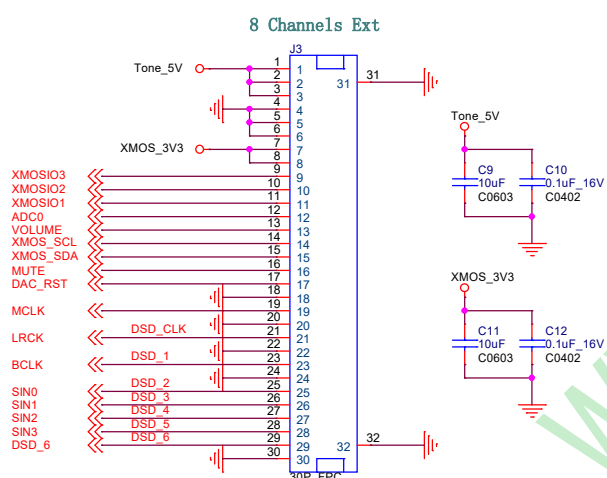
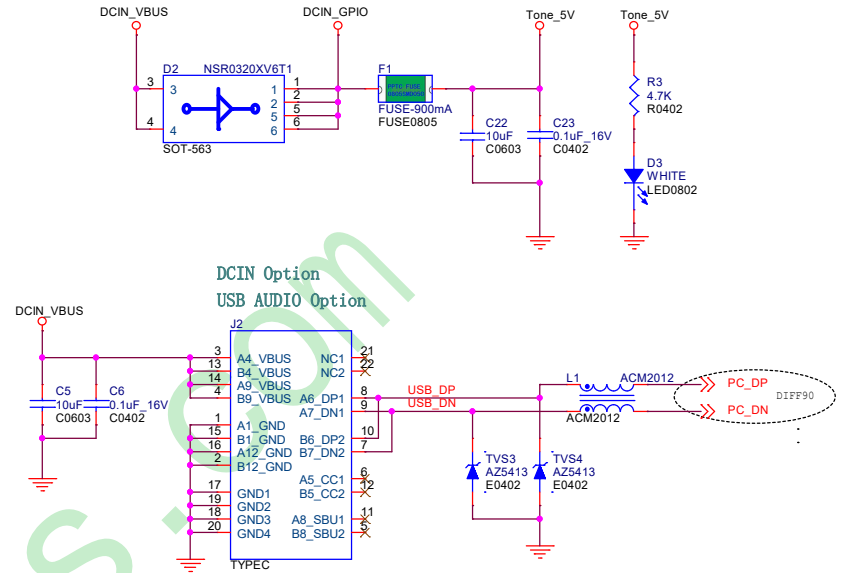
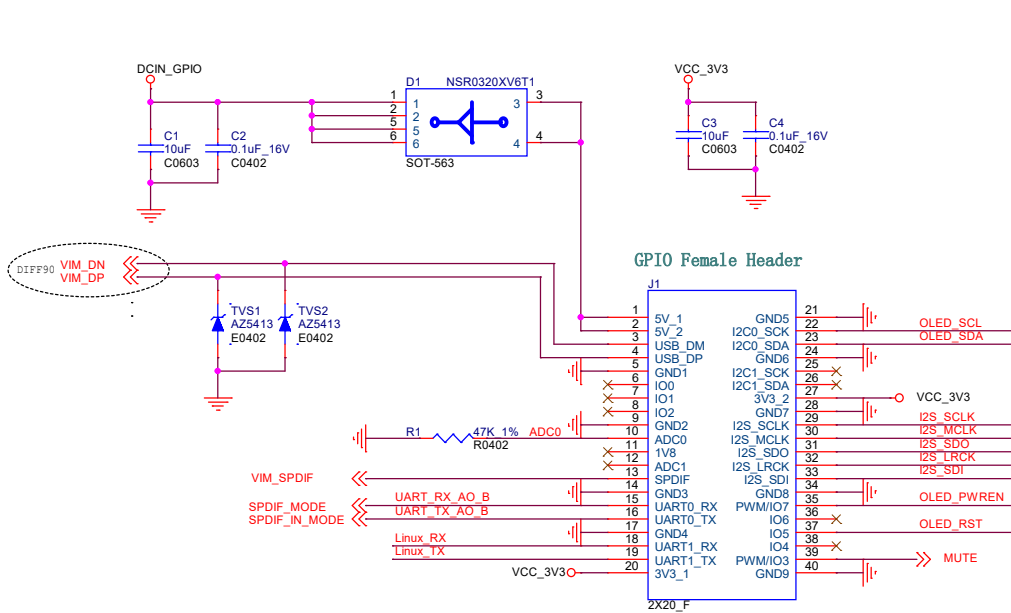
Think Different,  
Act Different,  
Be Different, and  
Make a Difference.

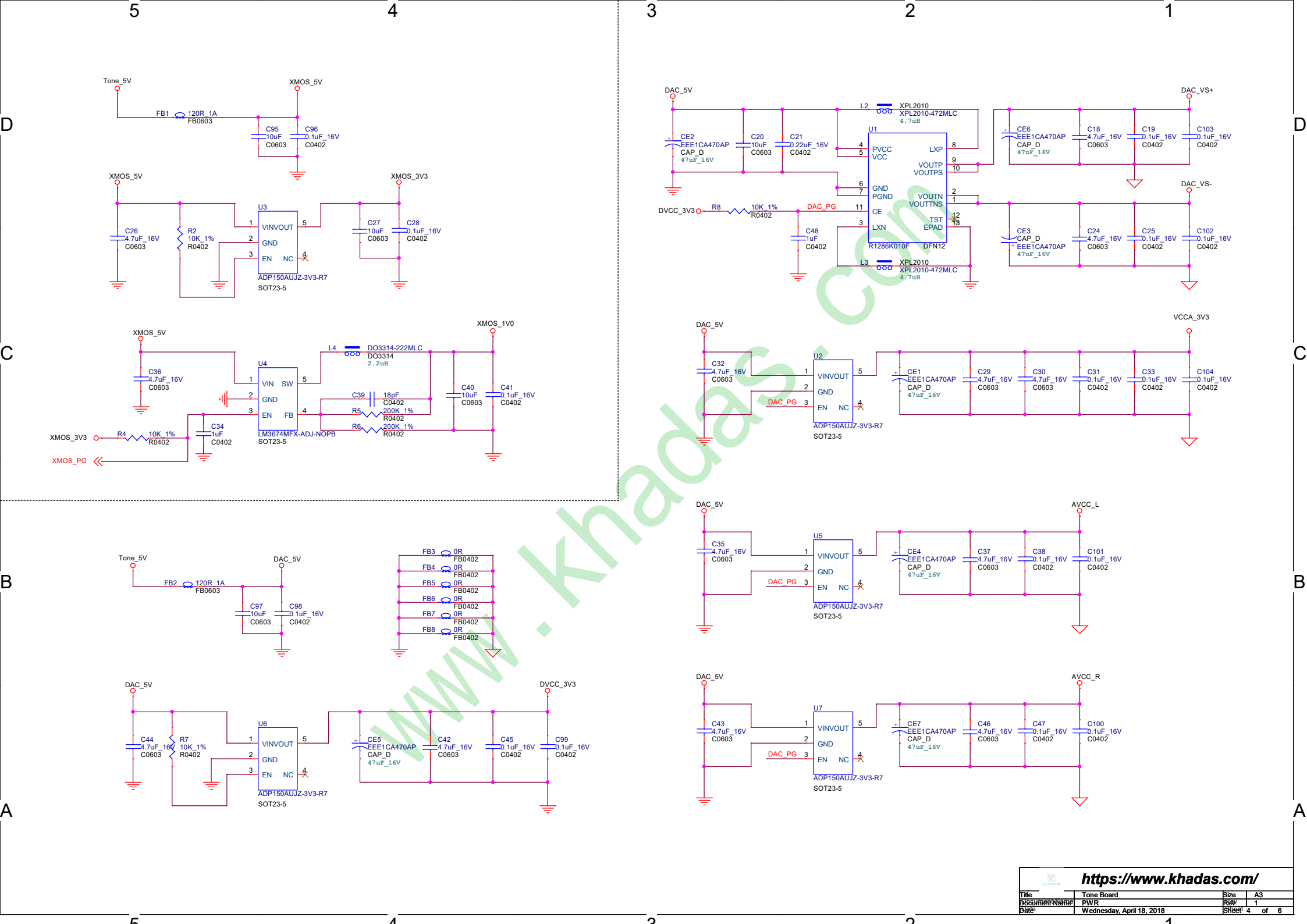
Sheet 01 Index  
Sheet 02 SYS  
Sheet 03 Connectors  
Sheet 04 PWR  
Sheet 05 XMOS  
Sheet 06 DAC & SPDIF

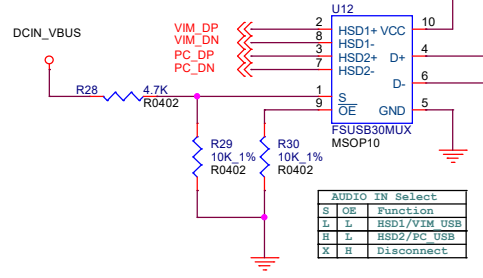
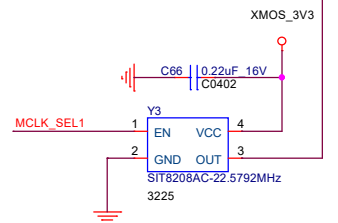
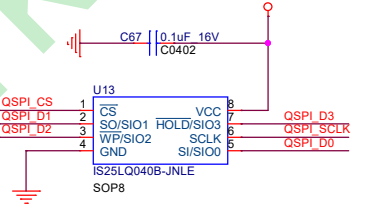
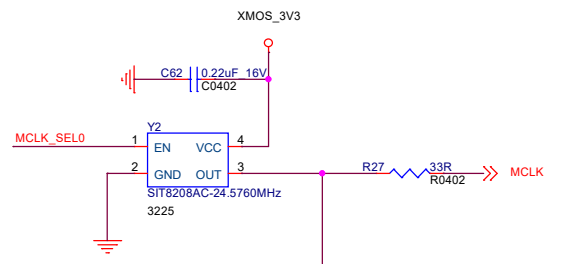
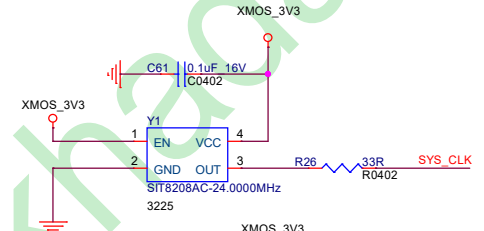
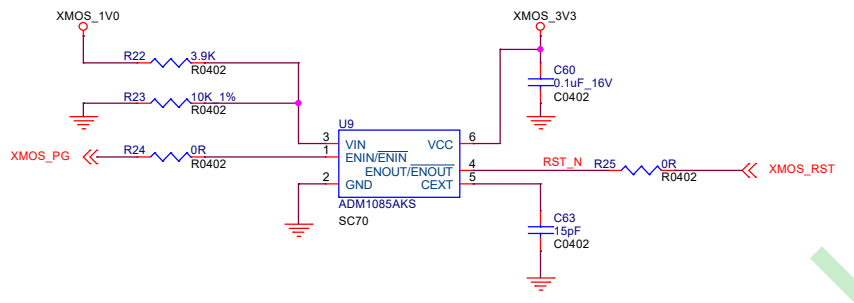
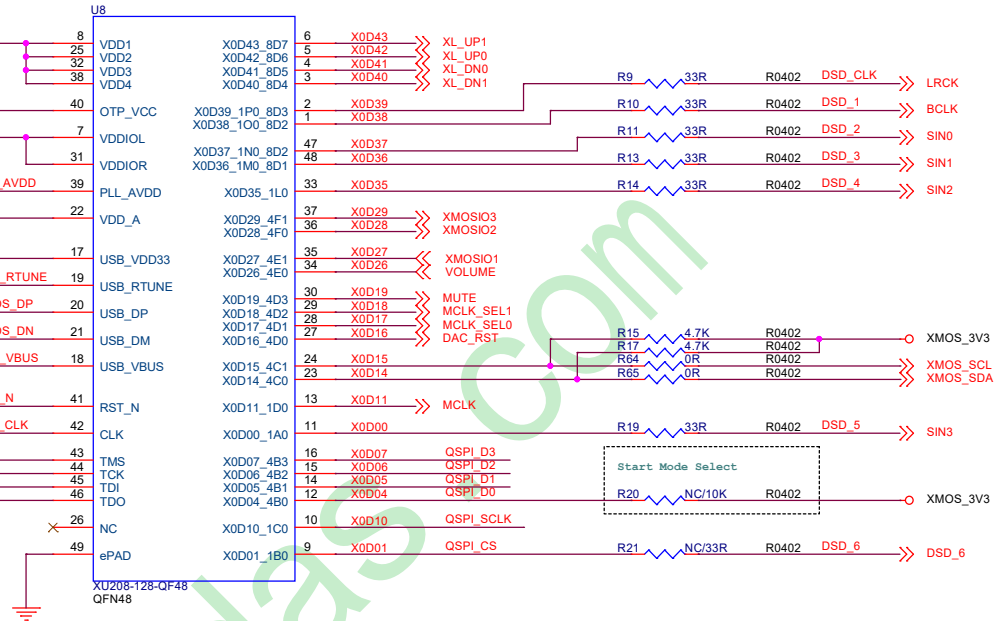
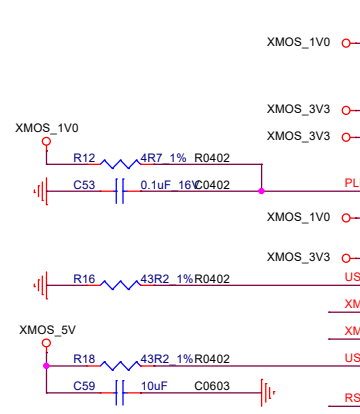
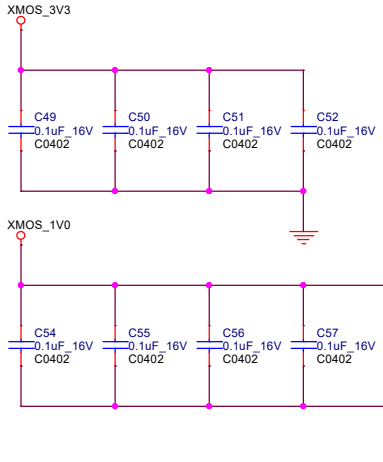
		<a href="https://www.khadas.com/">https://www.khadas.com/</a>	
Title	Tone Board	Size	A4
Document Name	Index	Rev	1
Date	Wednesday, April 18, 2018	Sheet	1 of 1



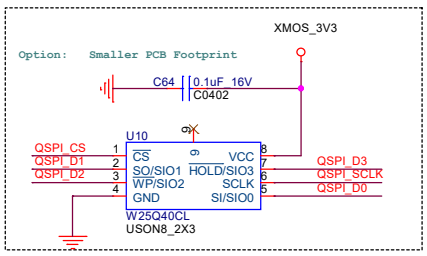
www.khadas.com

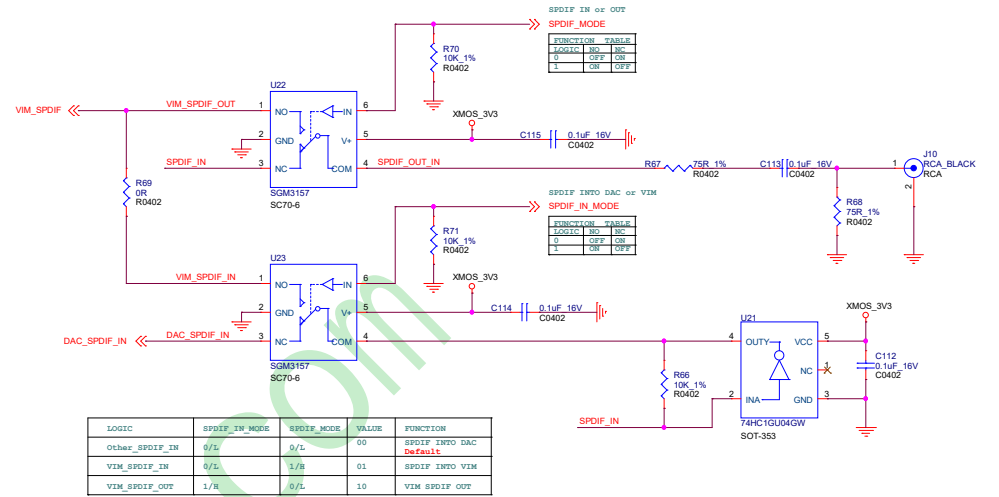
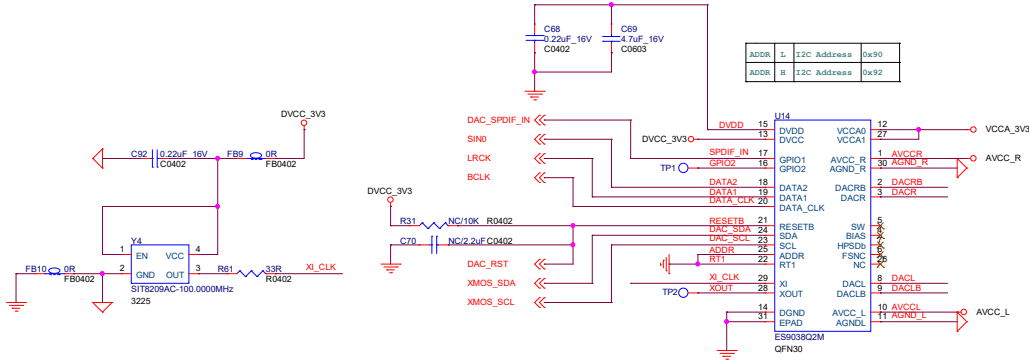






AUDIO IN Select		
S	OE	Function
L	L	HSD1/72M USB
H	L	HSD2/PC USB
X	H	Disconnect





LOGIC	SPIOF_IN_MODE	SPIOF_MODE	VALUE	FUNCTION
Other_SPIOF_IN	0/L	0/L	00	SPIOF INTO DAC Default
VIM_SPIOF_IN	0/L	1/B	01	SPIOF INTO VIM
VIM_SPIOF_OUT	1/R	0/L	10	VIM SPIOF OUT

