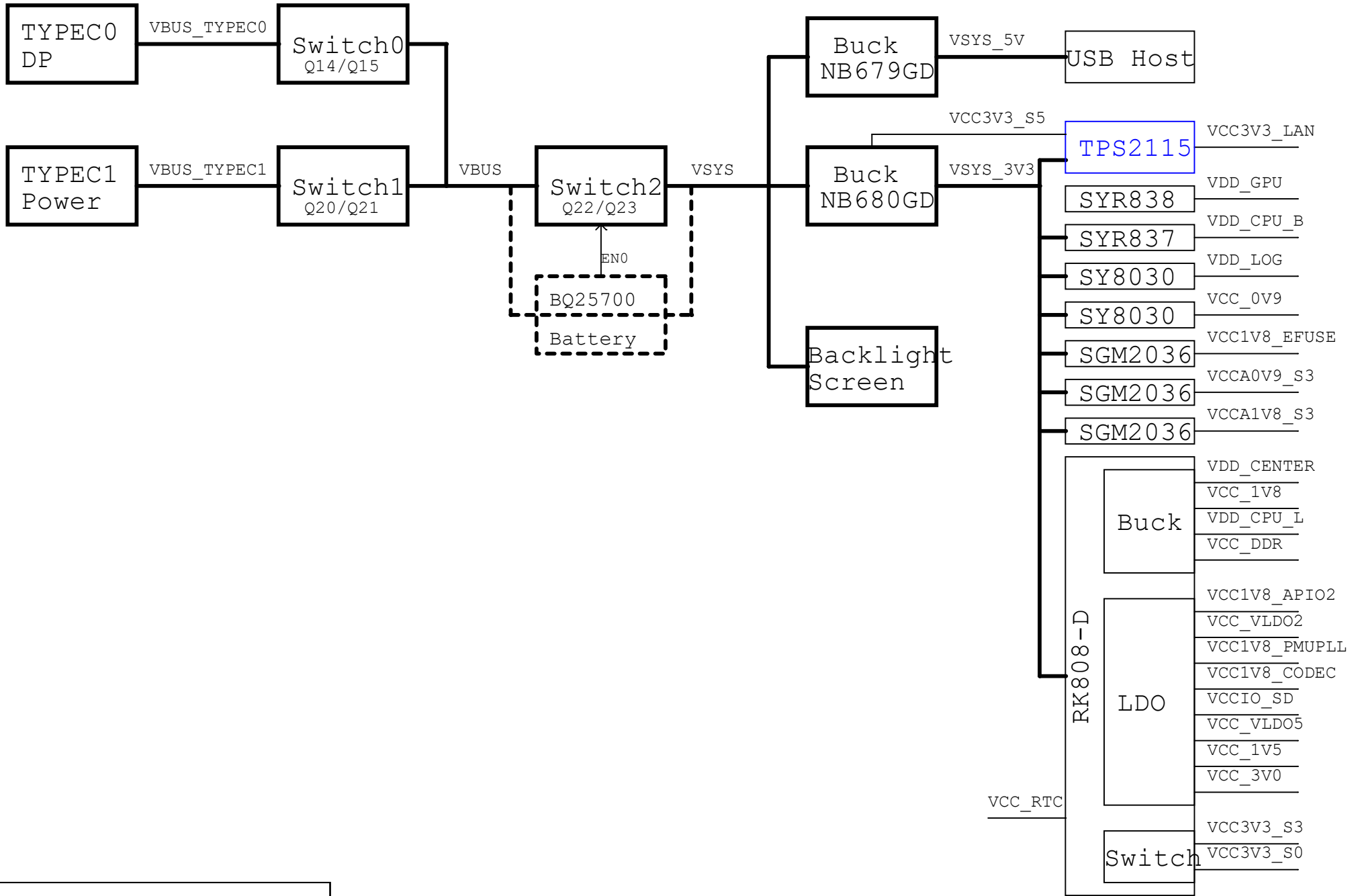




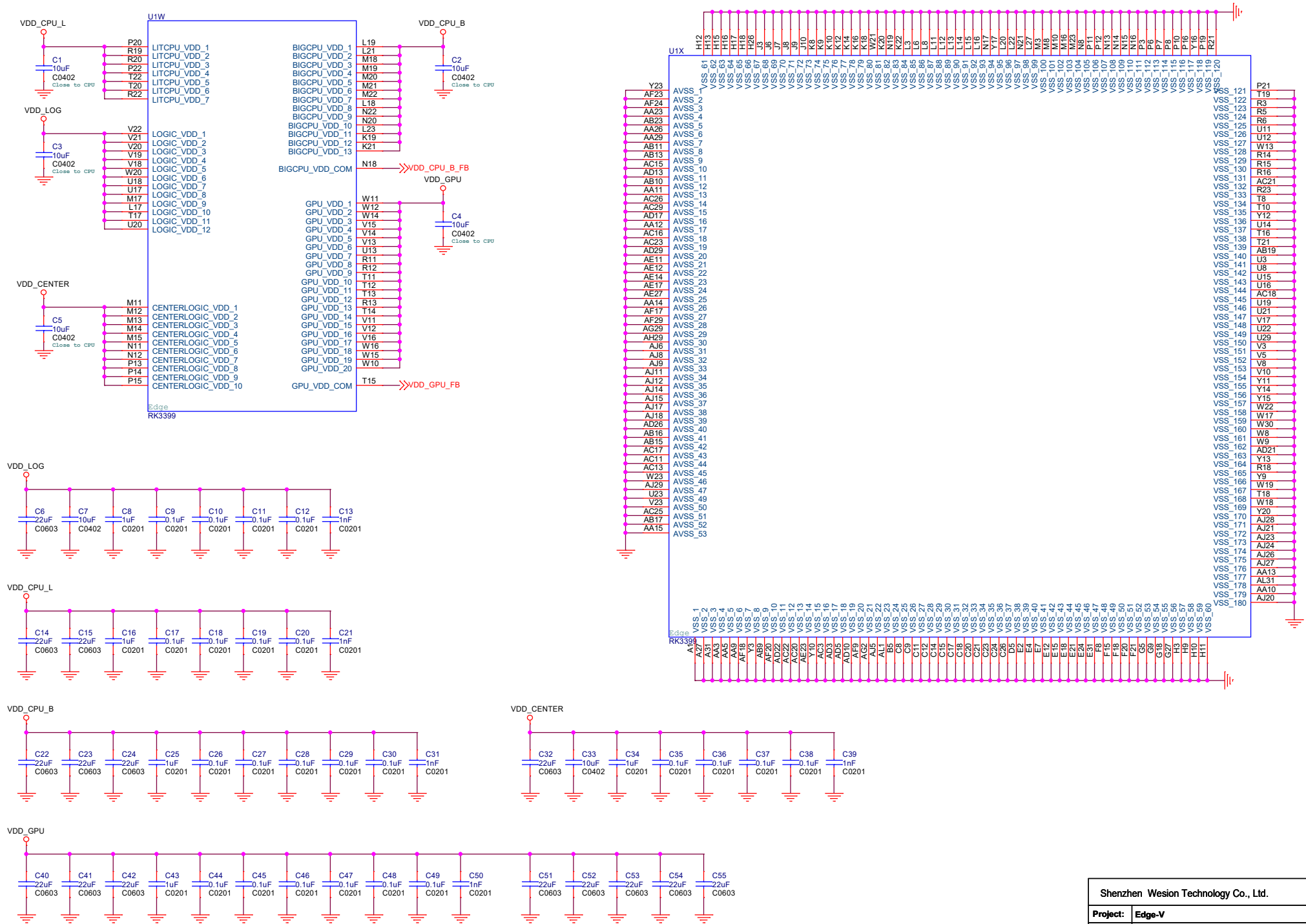
KHADAS

Something a little different.

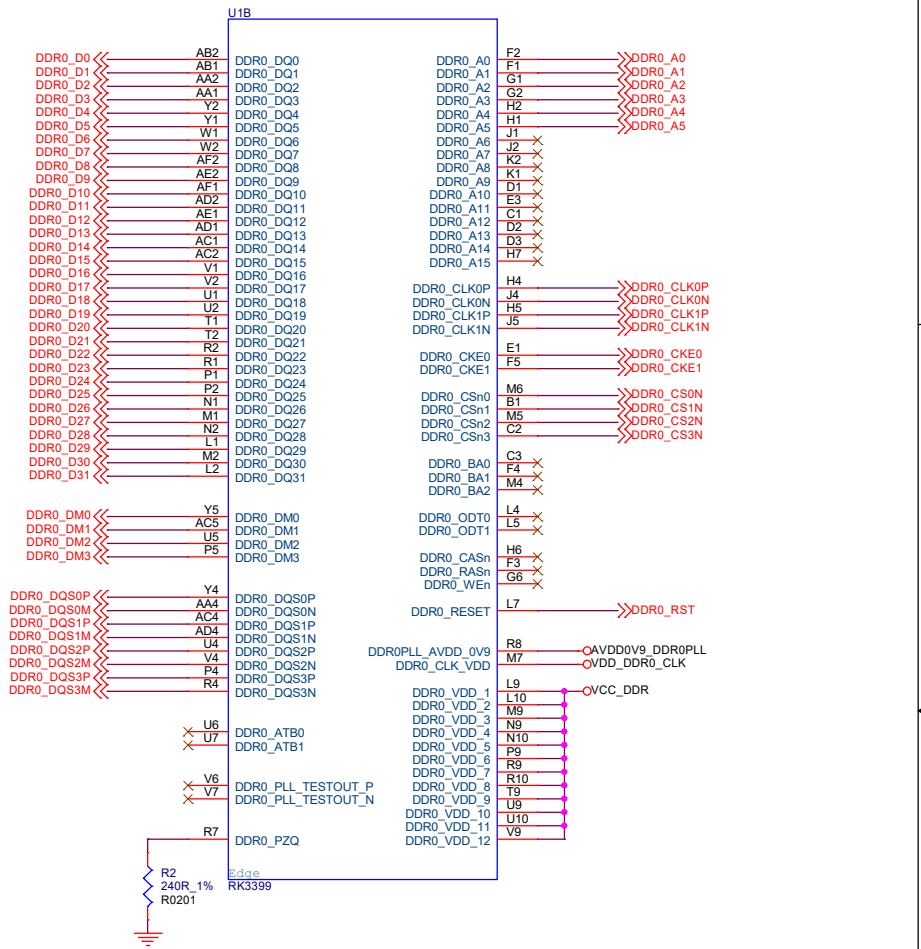
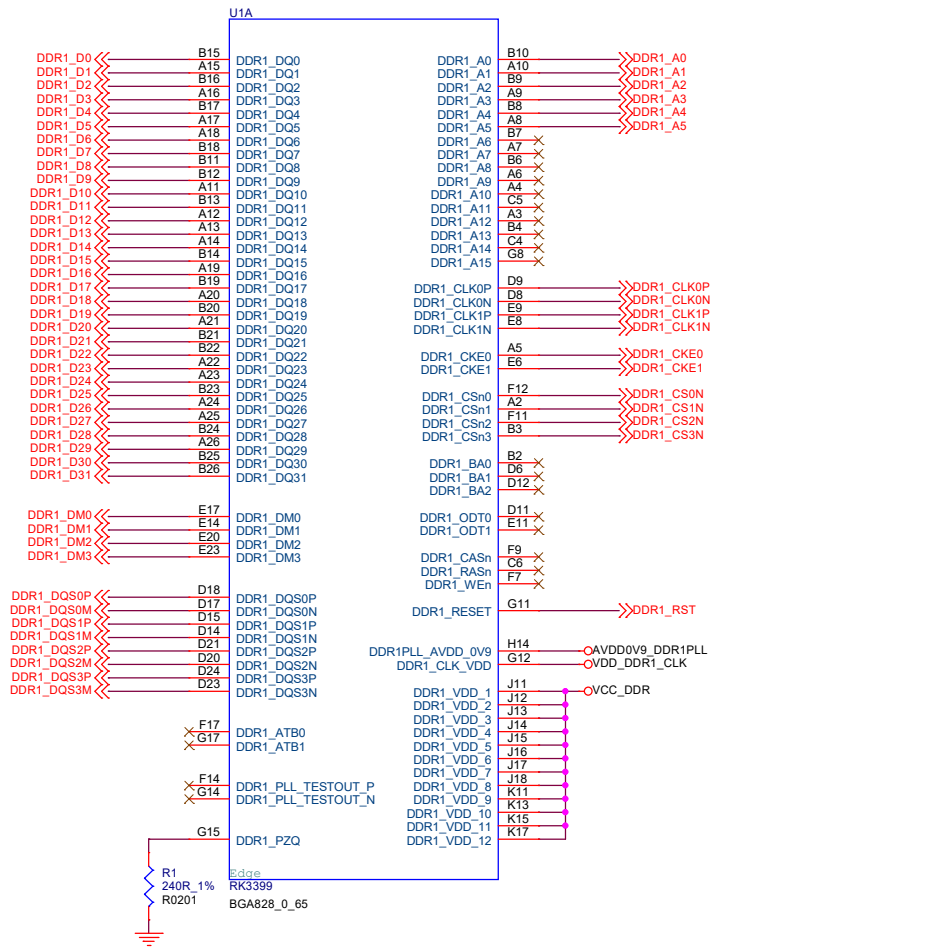
Shenzhen Wesion Technology Co., Ltd.			
<b>Project:</b>	Edge-V		
<b>File:</b>	Khadas		
<b>Date:</b>	Monday, April 01, 2019	<b>Rev:</b>	V13
<b>Designed by:</b>	Gouwa	<b>Sheet:</b>	1 of 21



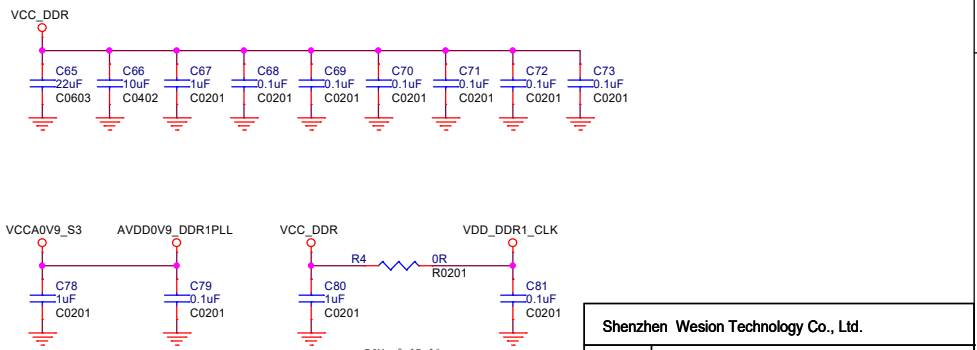
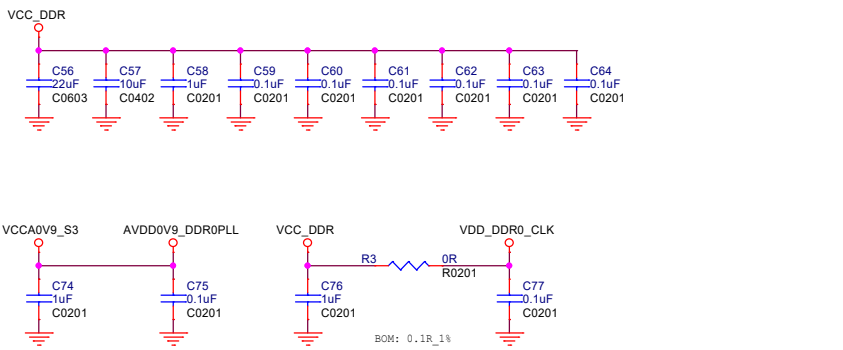
Shenzhen Wesion Technology Co., Ltd.			
<b>Project:</b>	Edge-V		
<b>File:</b>	Power Tree		
<b>Date:</b>	Monday, April 01, 2019	<b>Rev:</b>	V13
<b>Designed by:</b>	Gouwa	<b>Sheet:</b>	2 of 21



Shenzhen Wesion Technology Co., Ltd.			
Project:	Edge-V		
File:	RK3399 Power		
Date:	Monday, April 01, 2019	Rev:	V13
Designed by:	Gouwa	Sheet:	3 of 21

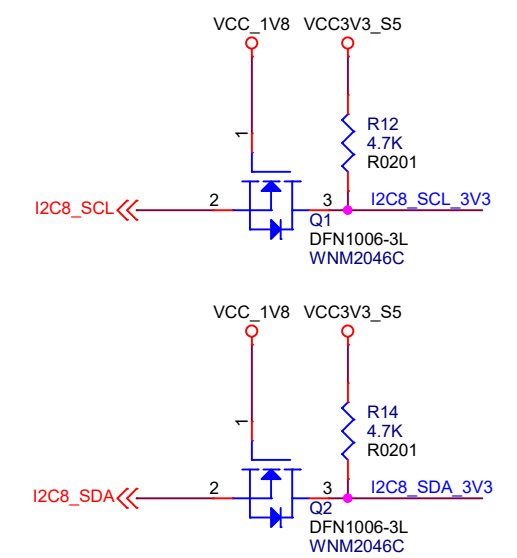
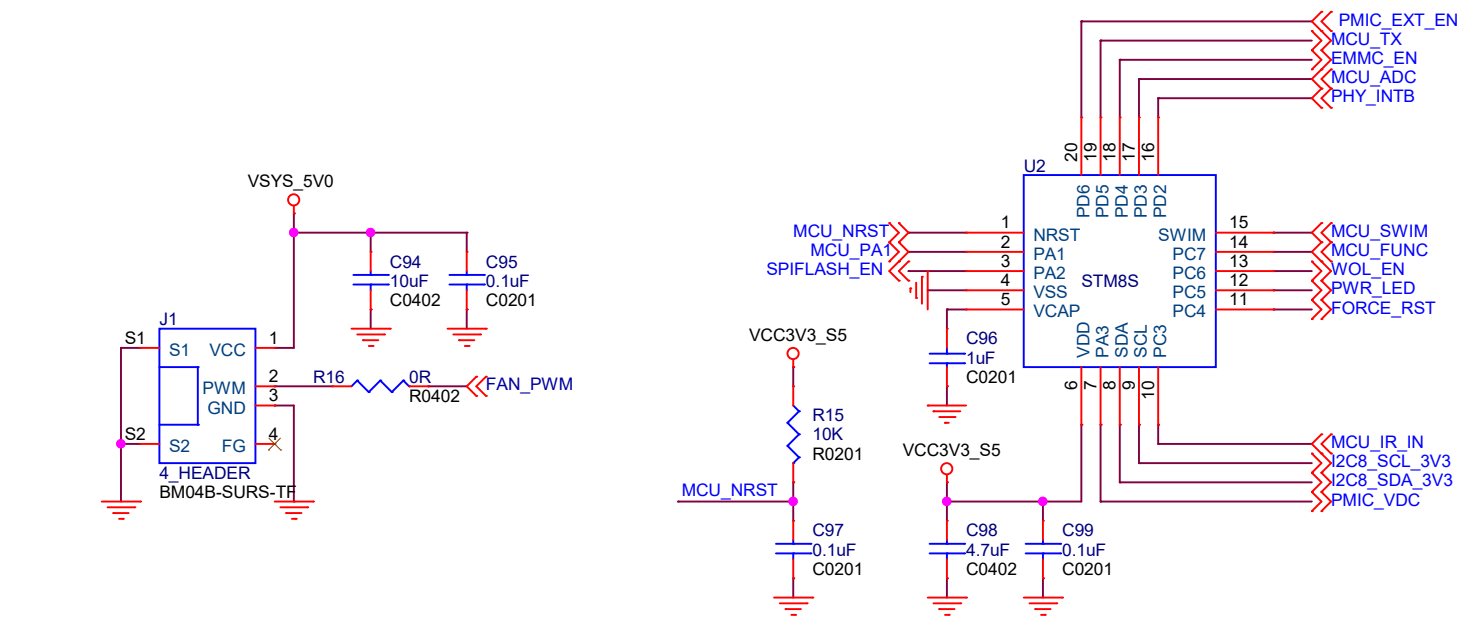
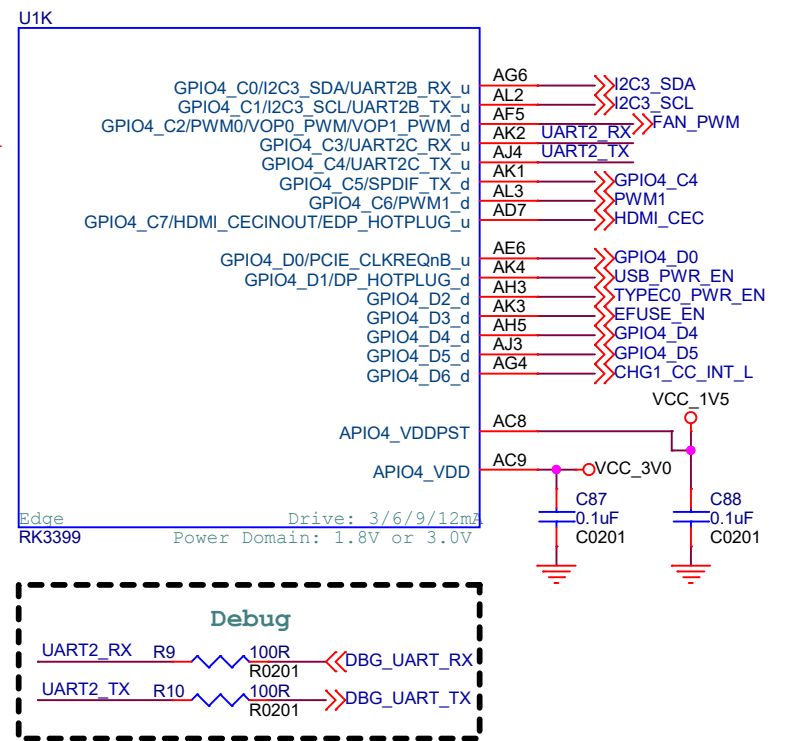
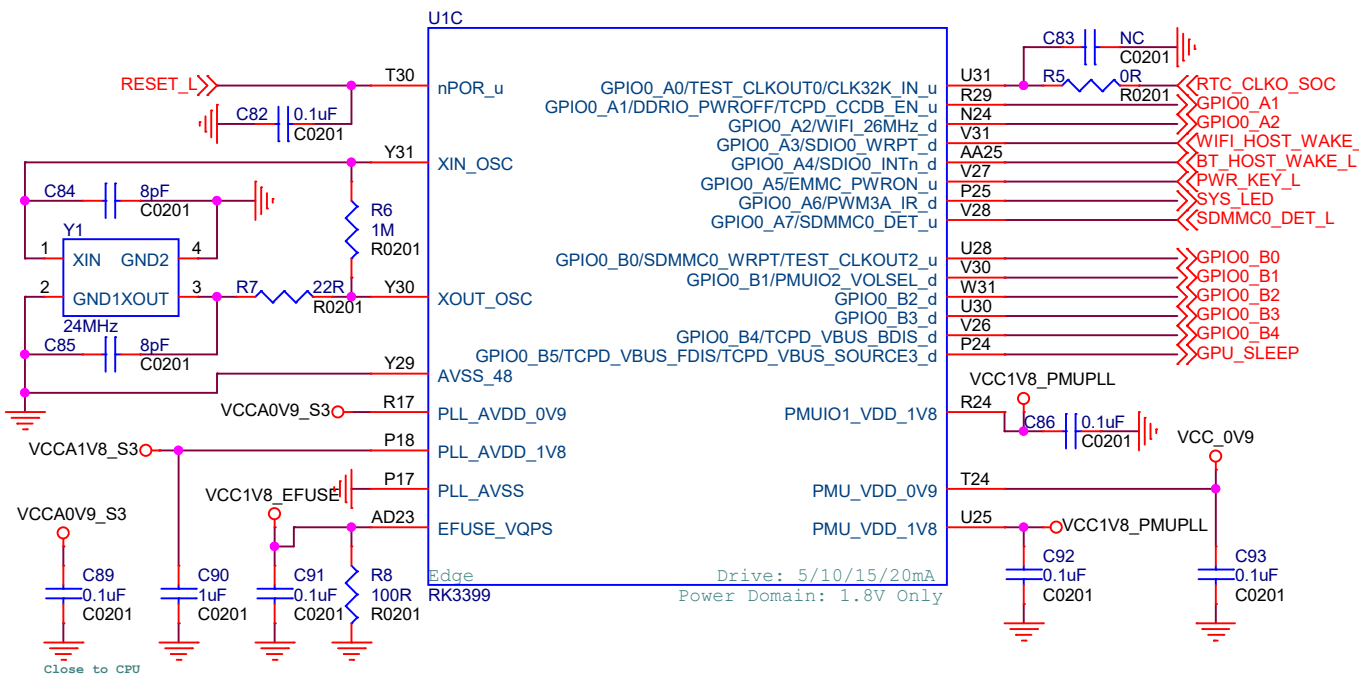


DDR FILTER

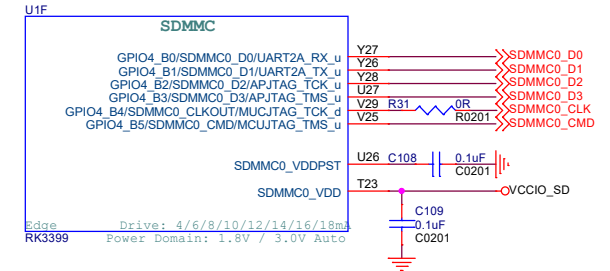
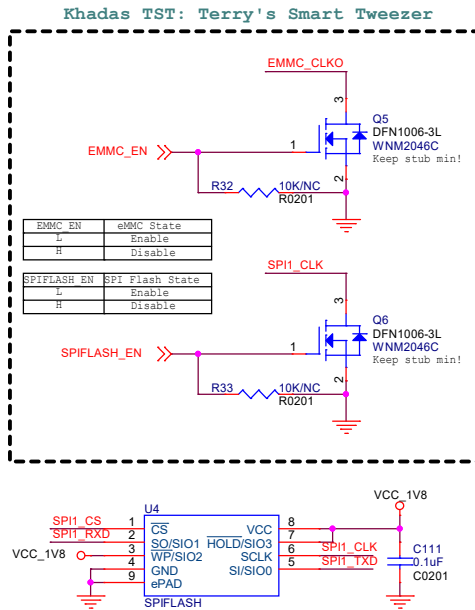
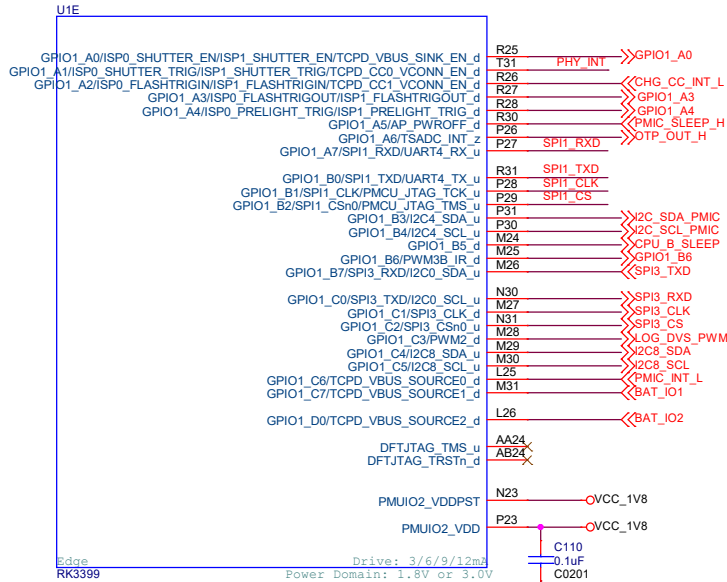
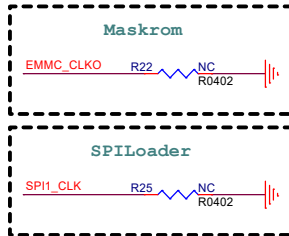
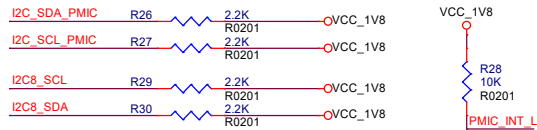
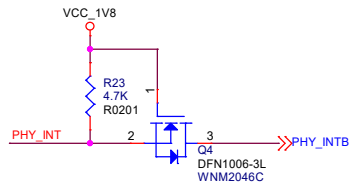
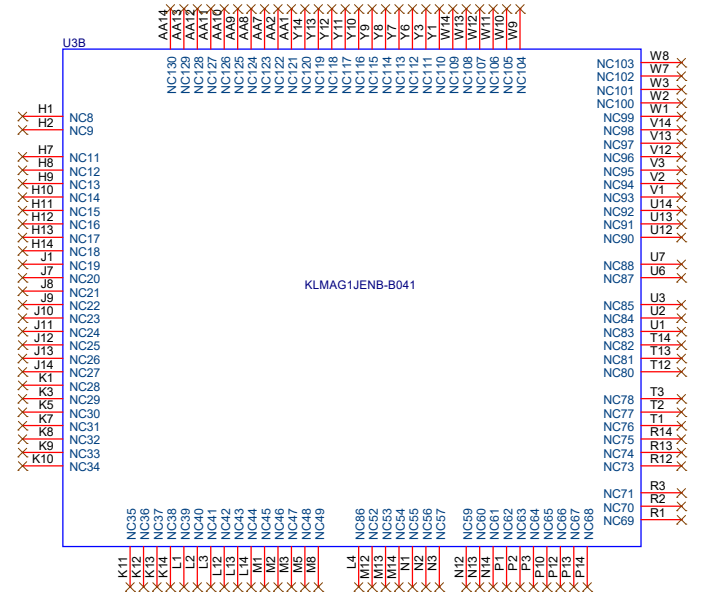
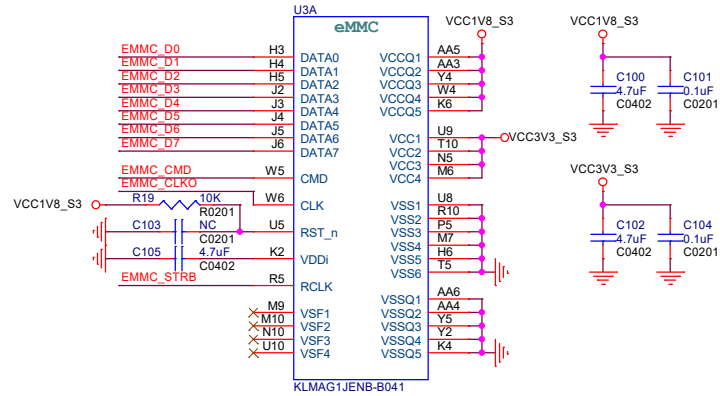
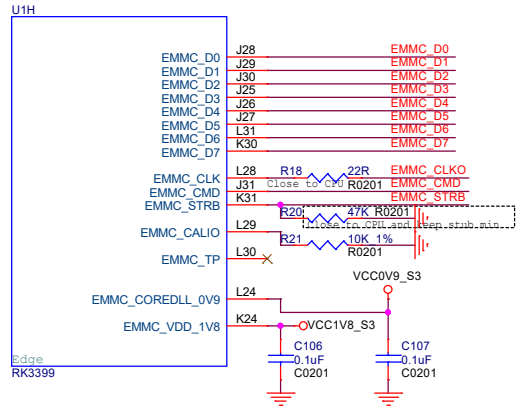


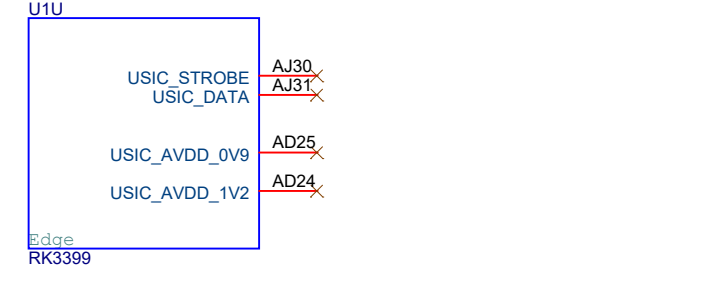
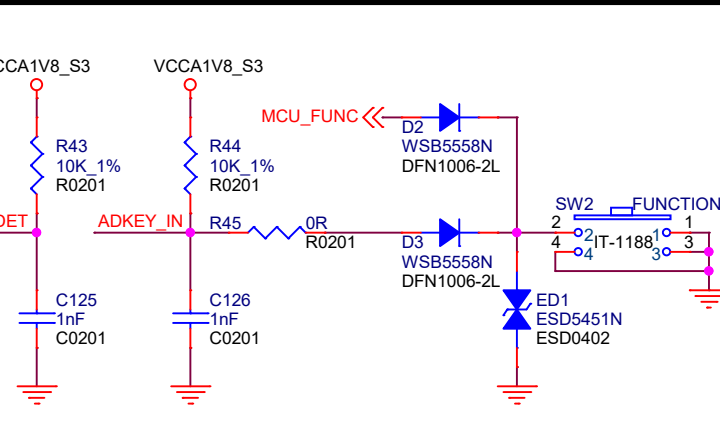
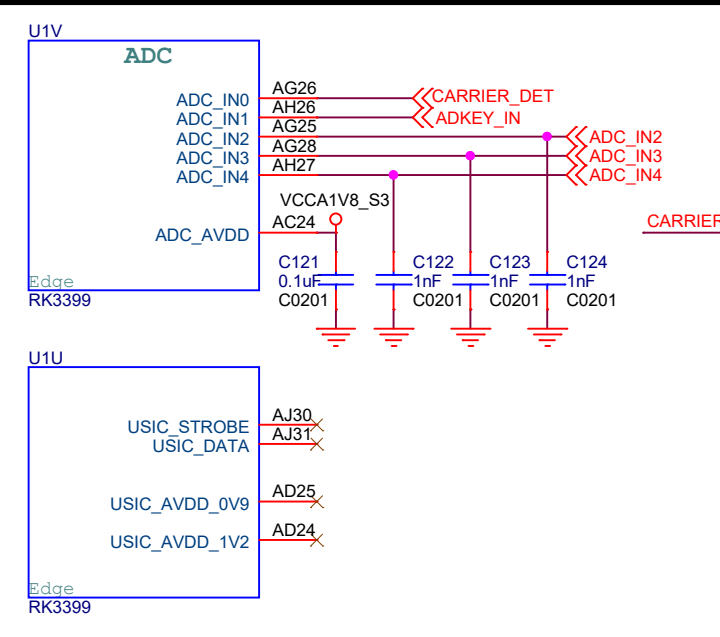
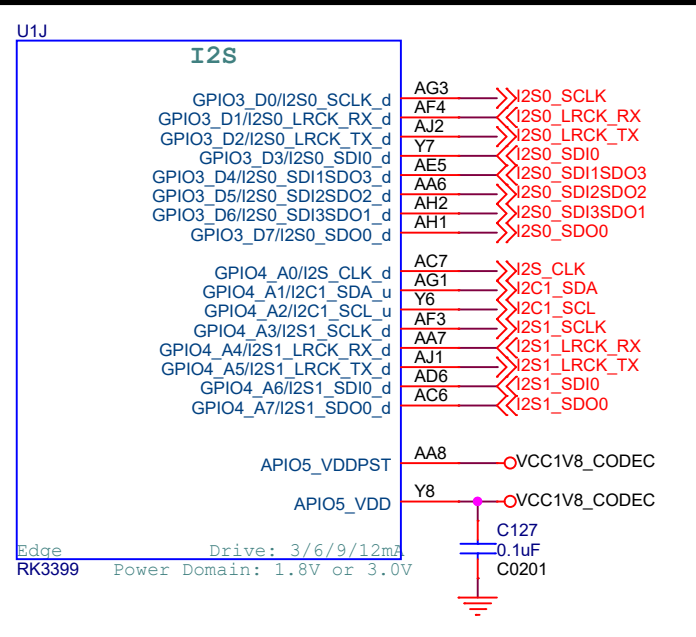
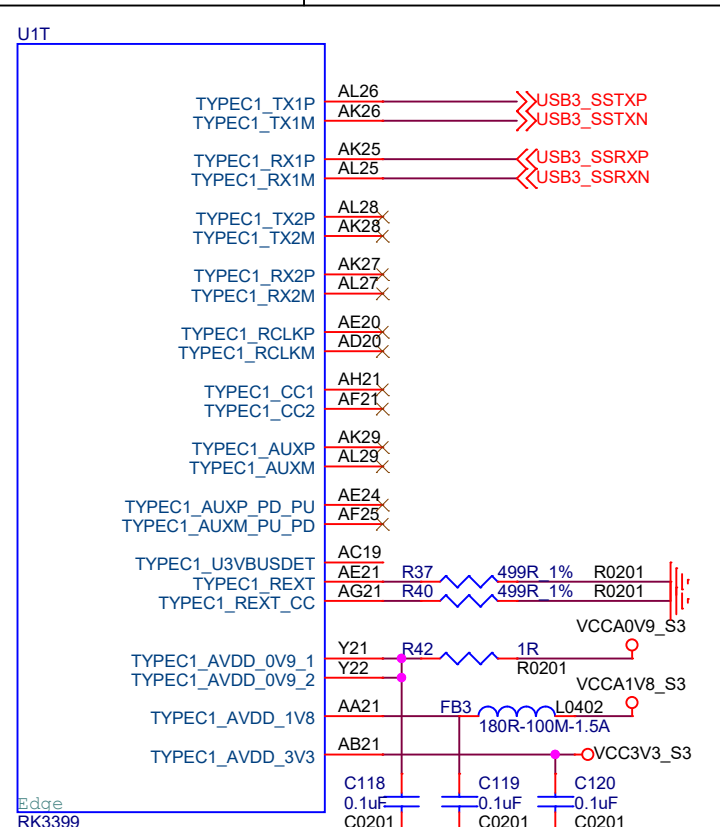
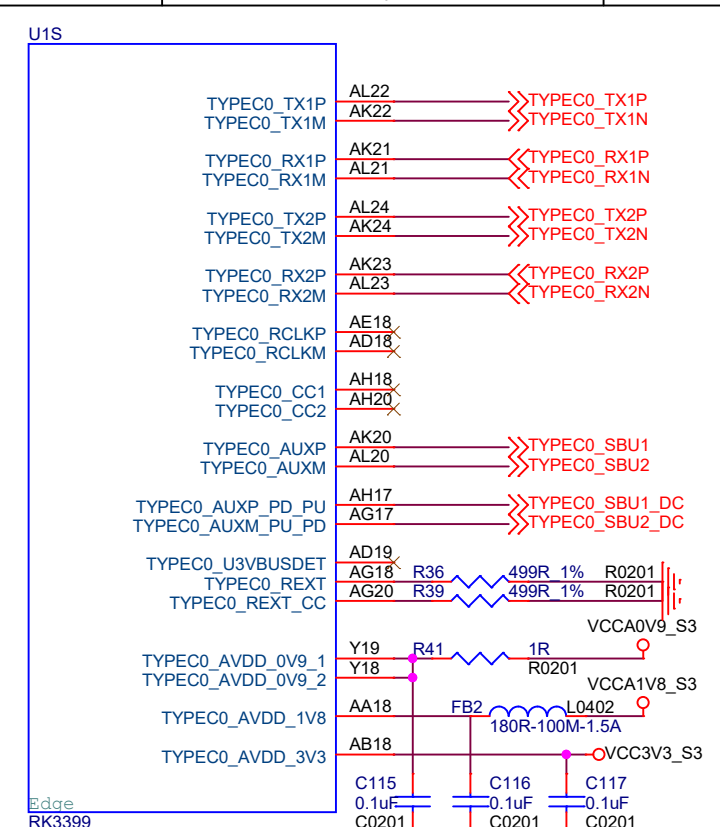
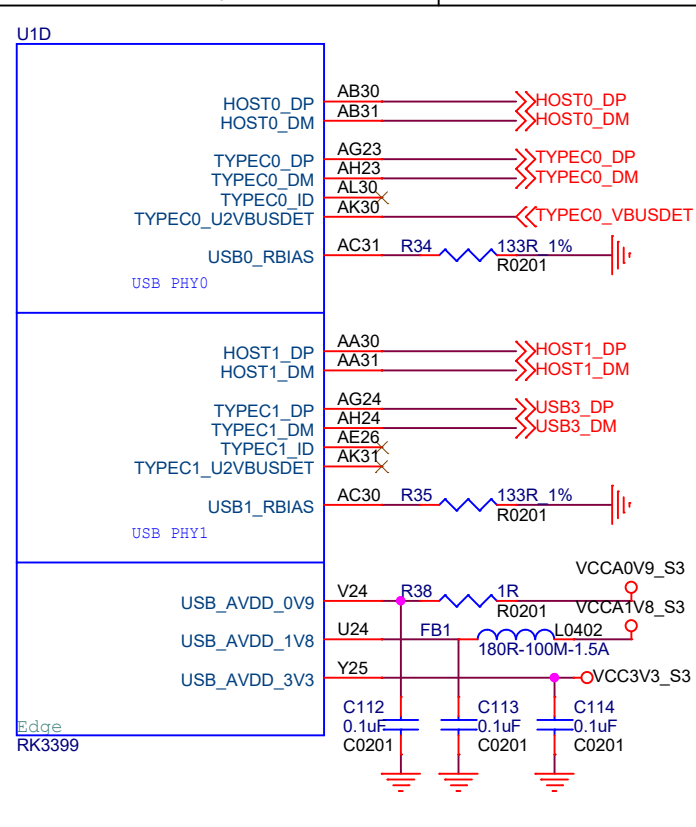
Shenzhen Wesion Technology Co., Ltd.			
Project:	Edge-V		
File:	RK3399 DDR Controller		
Date:	Monday, April 01, 2019	Rev:	V13
Designed by:	Gouwa	Sheet:	4 of 21

Layout: Star topology

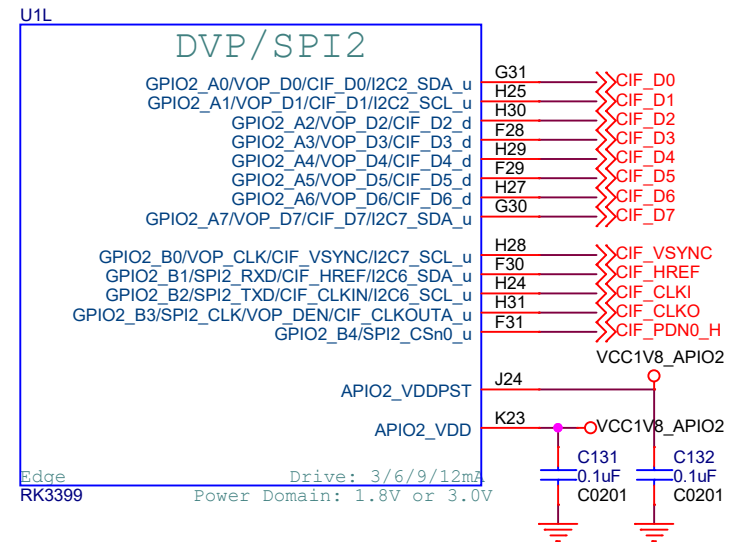
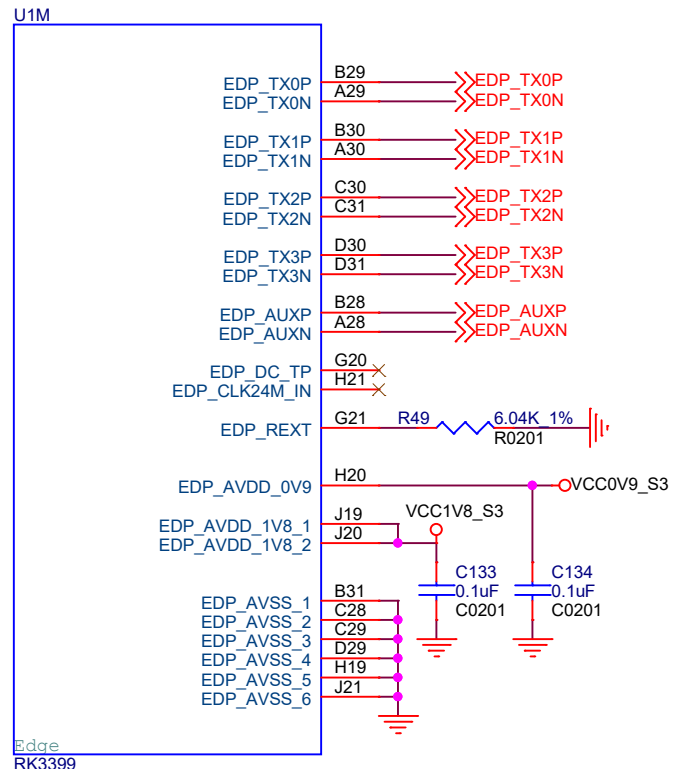
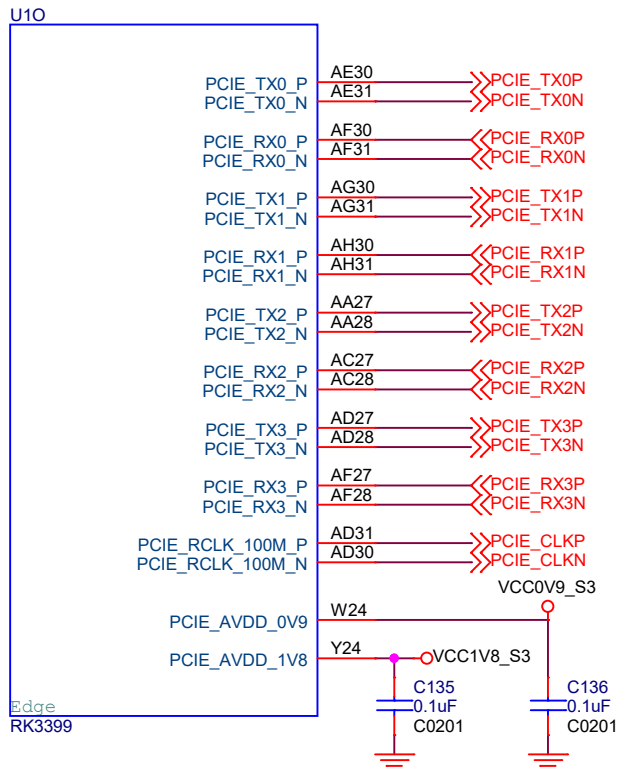
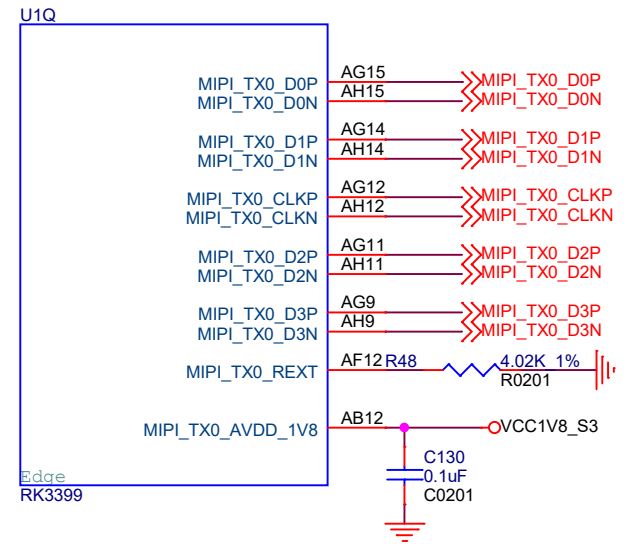
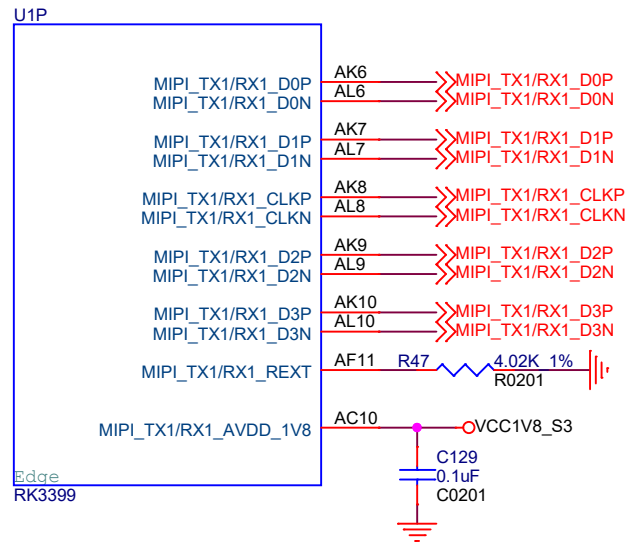
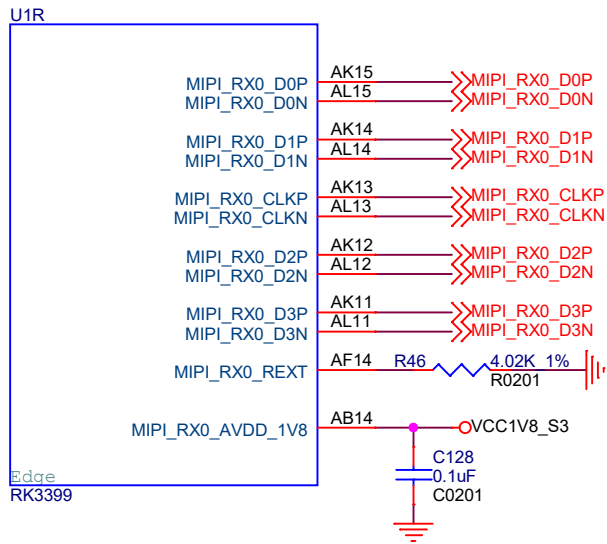


Shenzhen Wesion Technology Co., Ltd.			
<b>Project:</b>	Edge-V		
<b>File:</b>	RK3399 Clock/FAN/MCU/LED/GPIO		
<b>Date:</b>	Monday, April 01, 2019	<b>Rev:</b>	V13
<b>Designed by:</b>	Gouwa	<b>Sheet:</b>	5 of 21



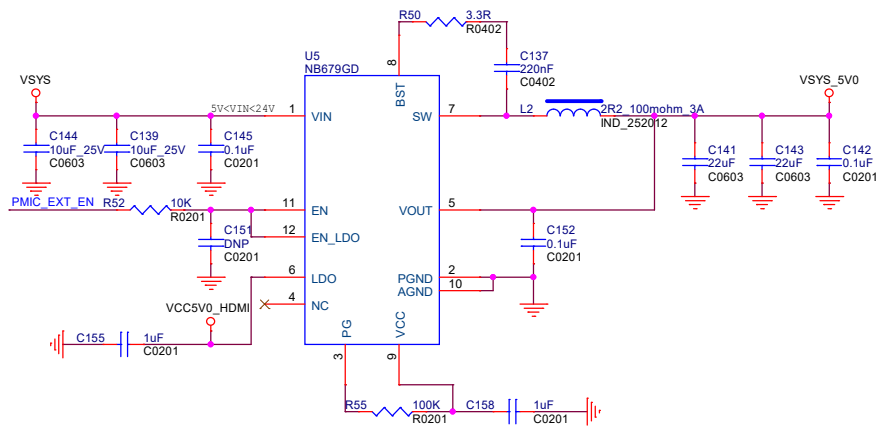


Shenzhen Wesion Technology Co., Ltd.			
<b>Project:</b>	Edge-V		
<b>File:</b>	RK3399 USB PHY/USIC/ADC/I2S		
<b>Date:</b>	Monday, April 01, 2019	<b>Rev:</b>	V13
<b>Designed by:</b>	Gouwa	<b>Sheet:</b>	7 of 21

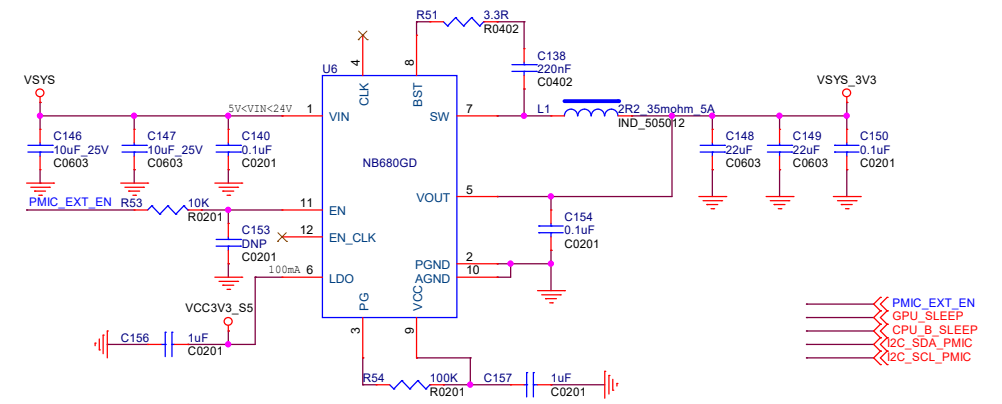


<b>Shenzhen Wesion Technology Co., Ltd.</b>			
<b>Project:</b>	Edge-V		
<b>File:</b>	RK3399 MIPI/eDP/PCIE/DVP		
<b>Date:</b>	Monday, April 01, 2019	<b>Rev:</b>	V13
<b>Designed by:</b>	Gouwa	<b>Sheet:</b>	8 of 21

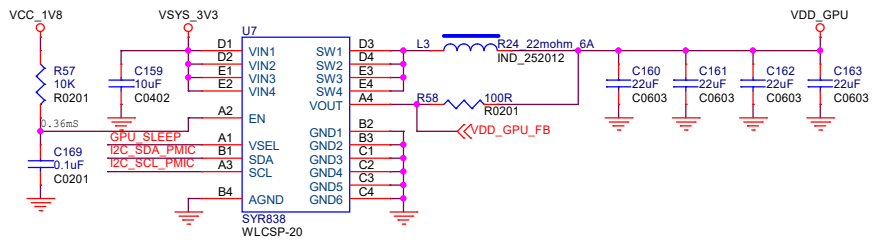
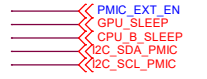




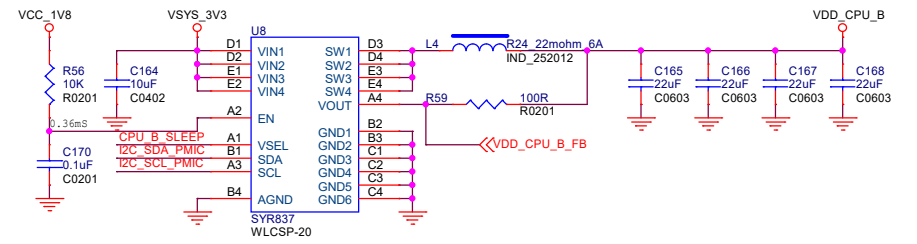
VSYS\_5V0



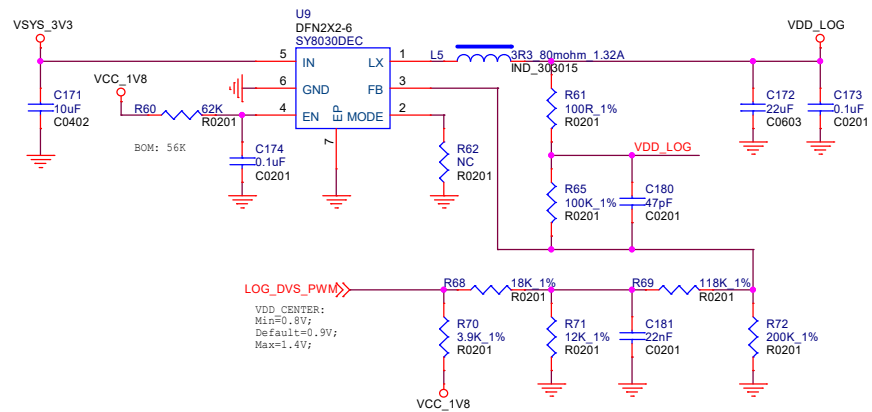
VSYS\_3V3



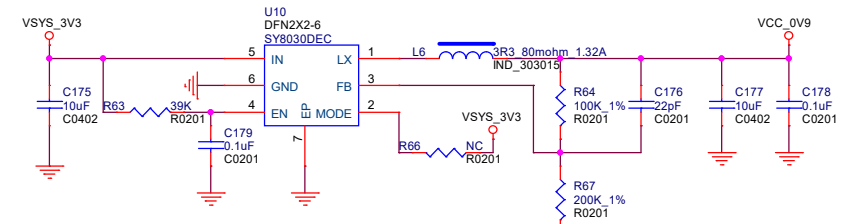
VDD\_GPU



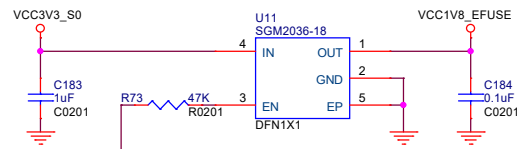
VDD\_CPU\_B



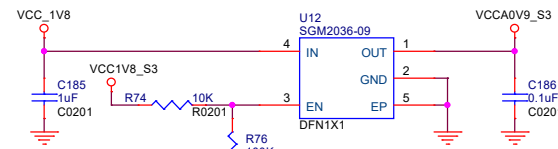
VDD\_LOG



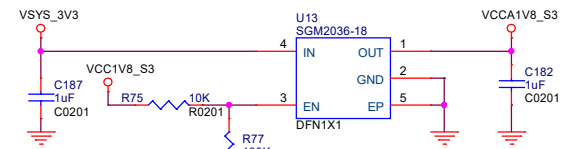
VCC\_0V9



VCC1V8\_EFUSE



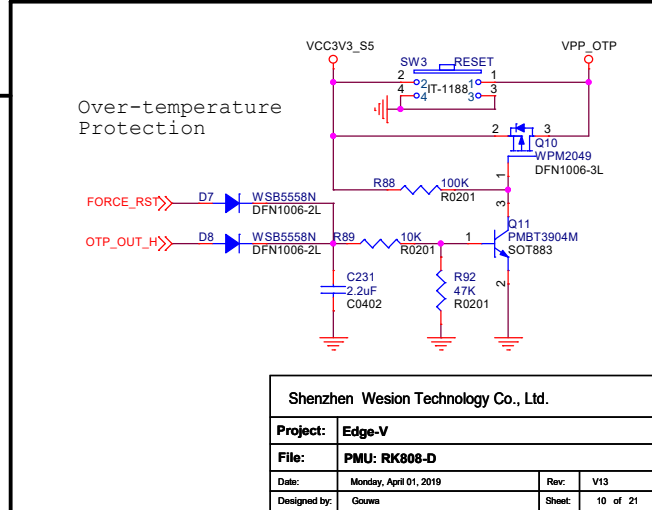
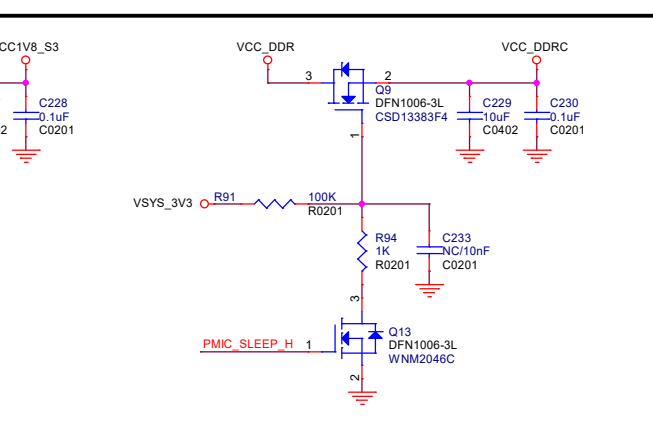
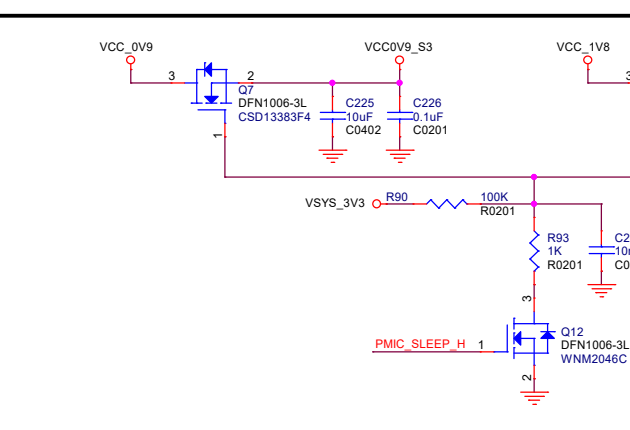
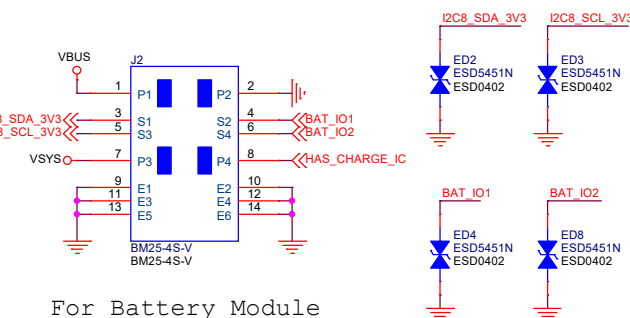
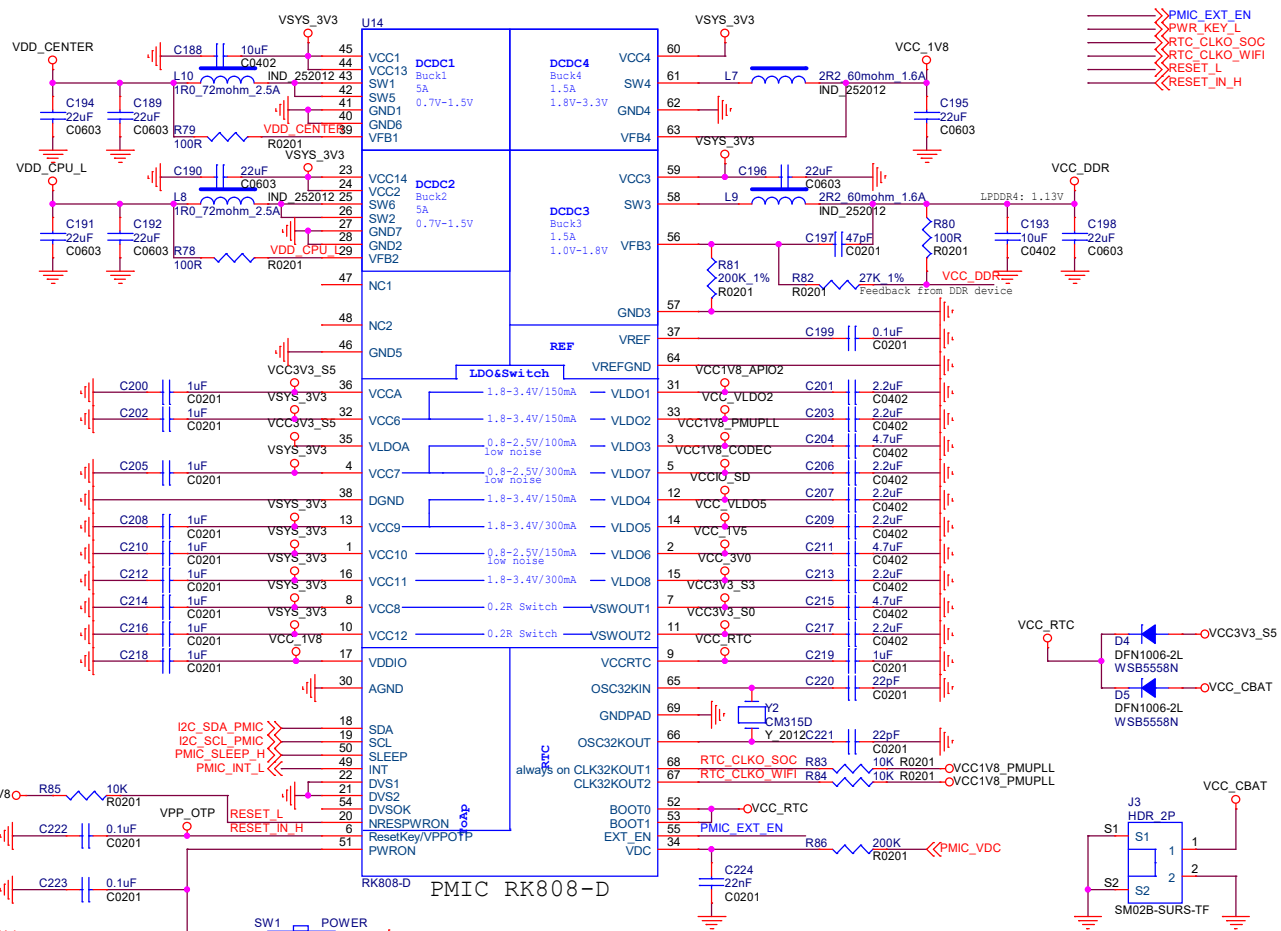
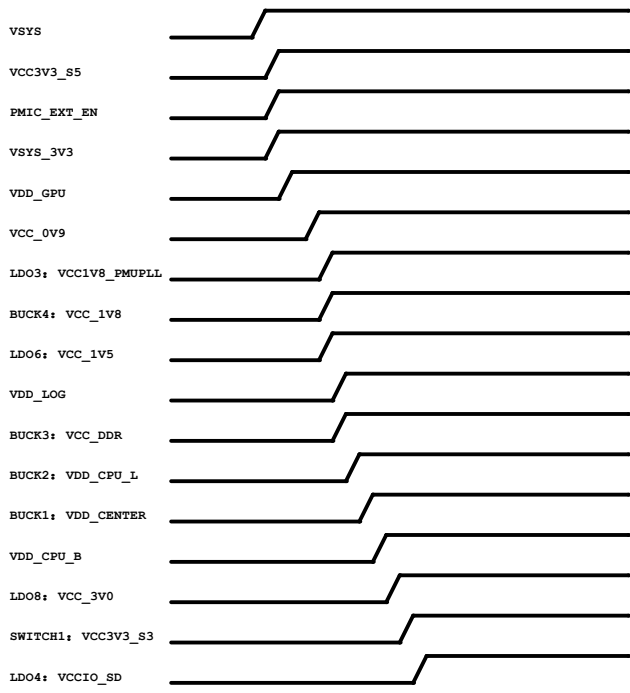
VCCA0V9\_S3



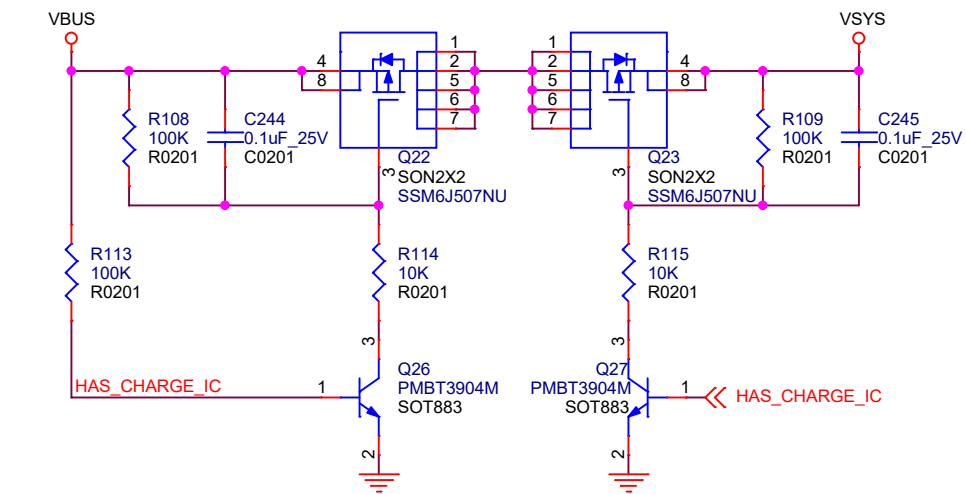
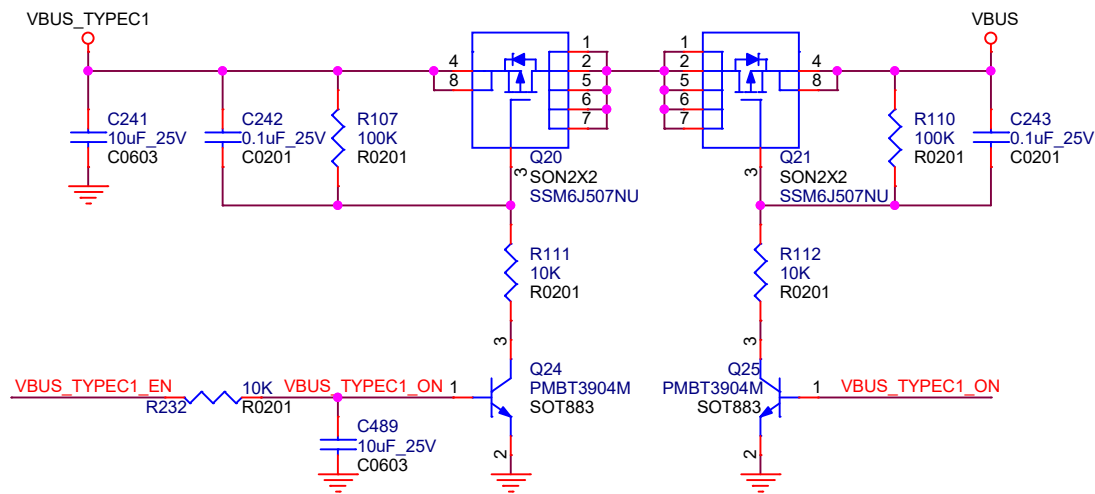
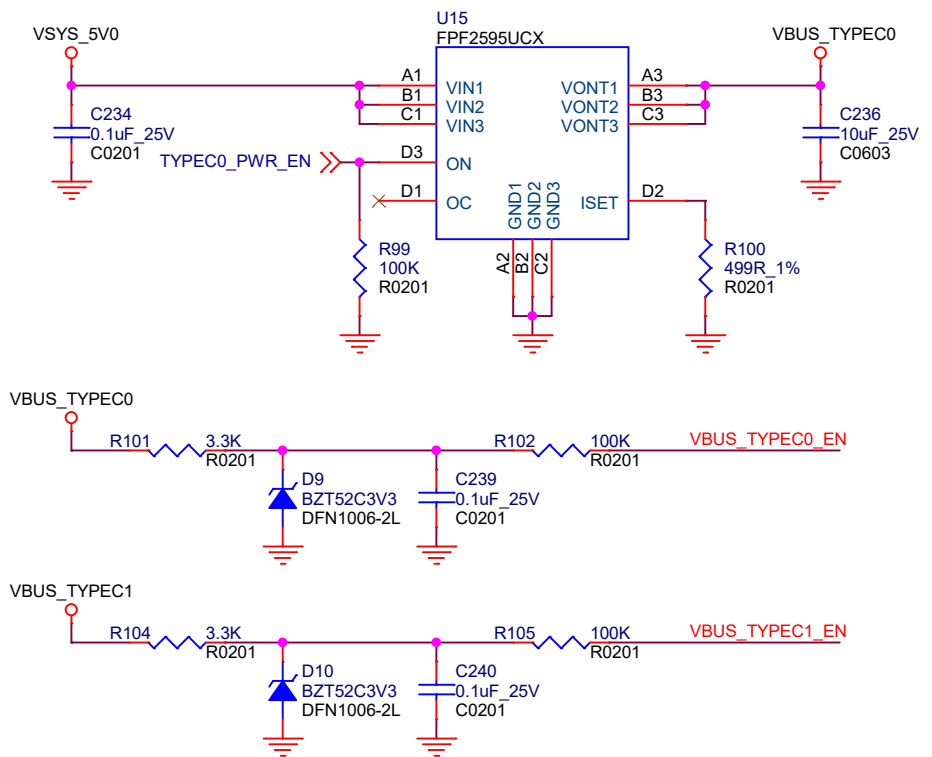
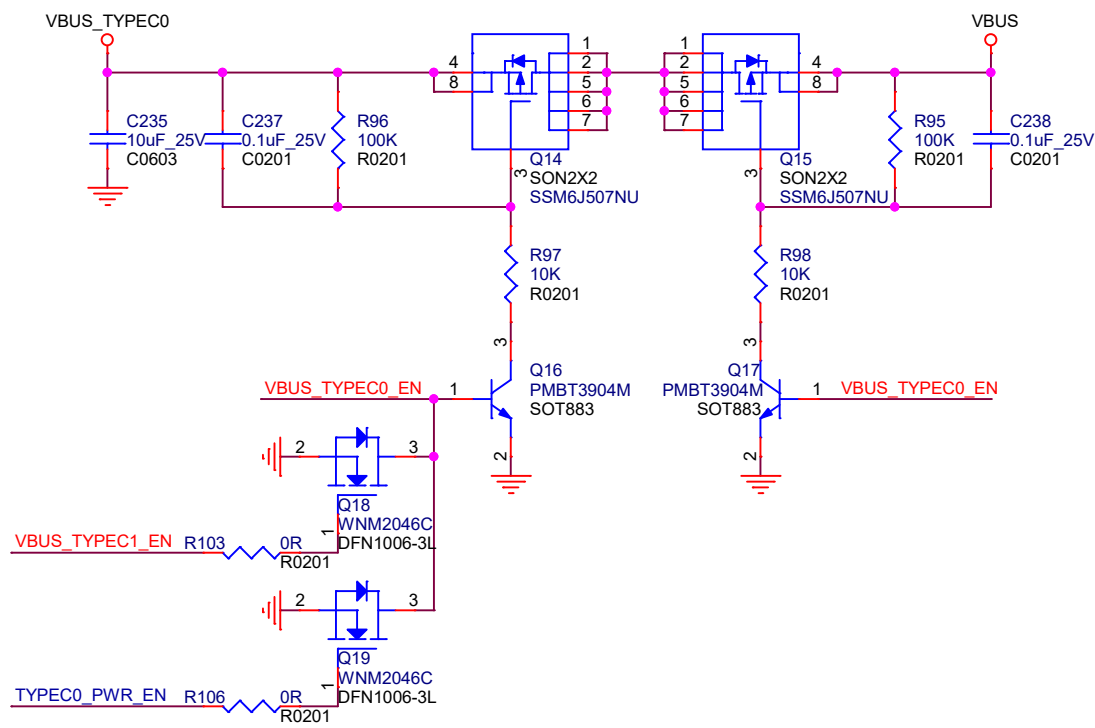
VCCA1V8\_S3

Shenzhen Wesion Technology Co., Ltd.			
Project:	Edge-V		
File:	Power: DC-DC & LDO		
Date:	Monday, April 01, 2019	Rev:	V13
Designed by:	Gouwa	Sheet:	9 of 21

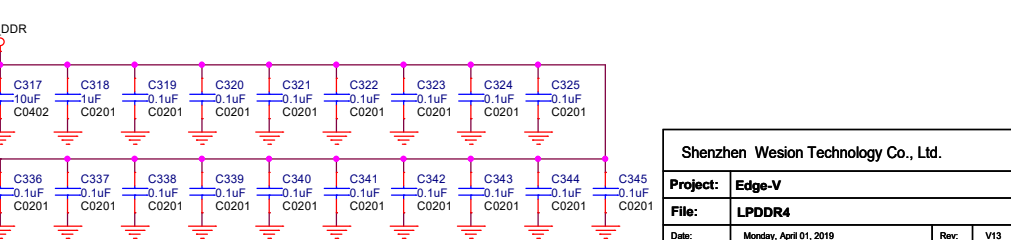
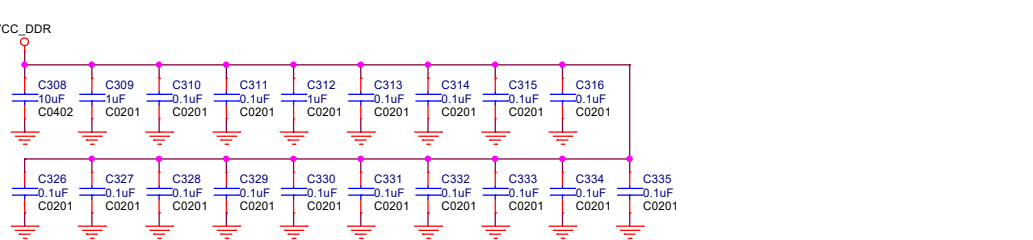
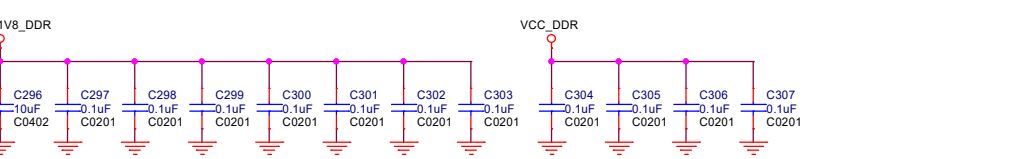
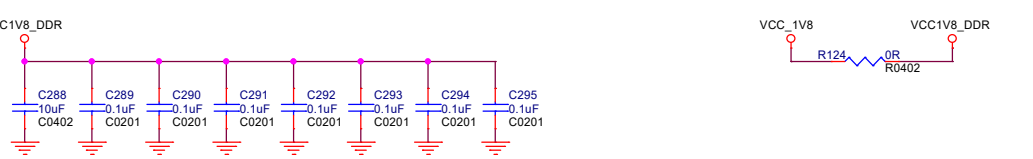
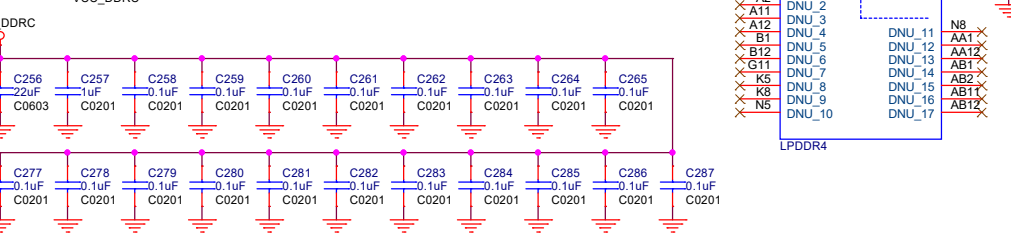
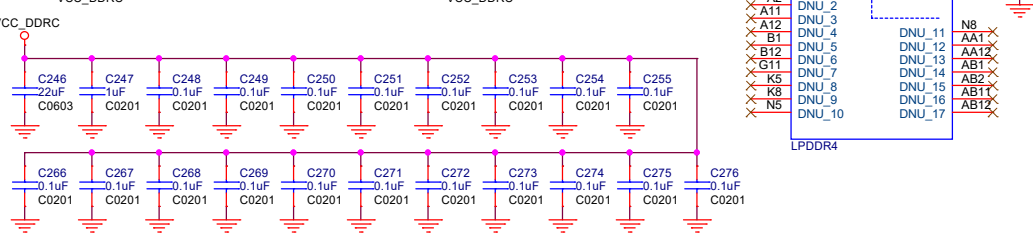
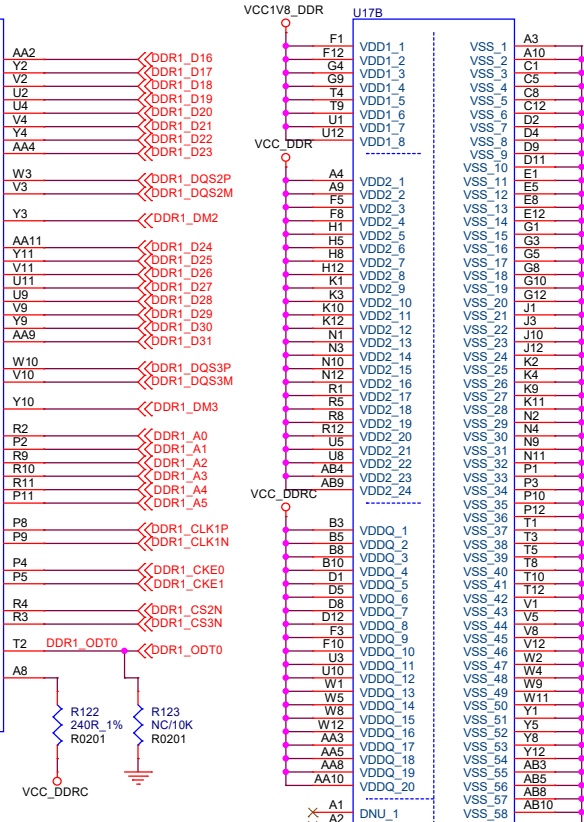
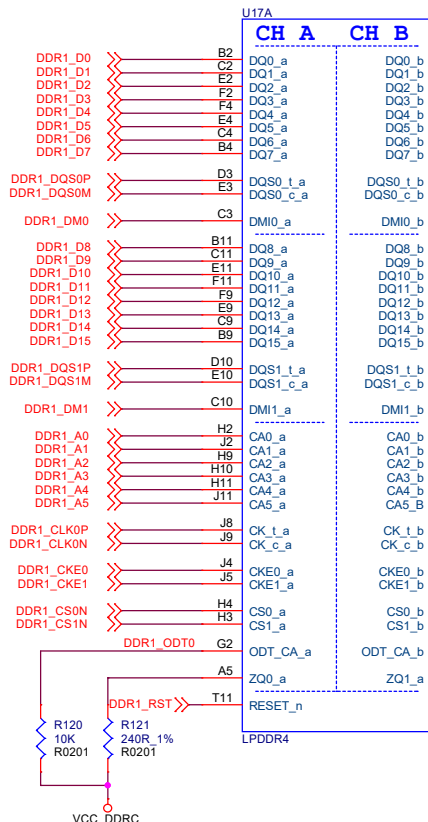
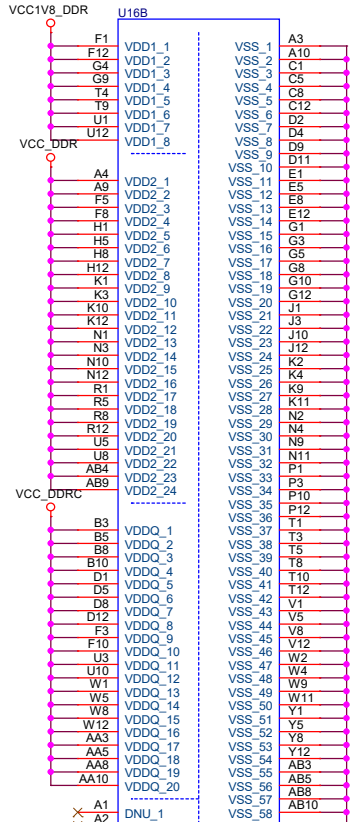
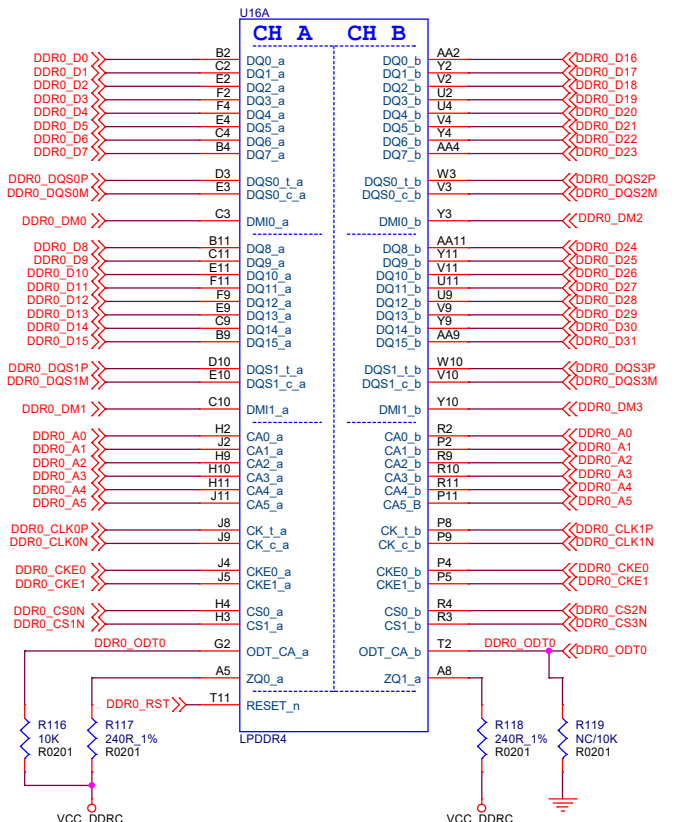
# Power Sequence (PMIC-RK808-D)

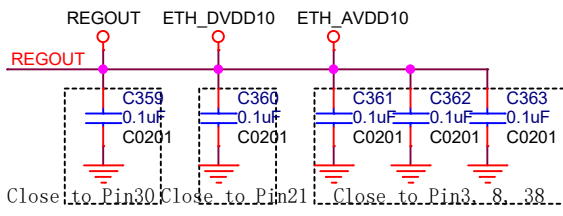
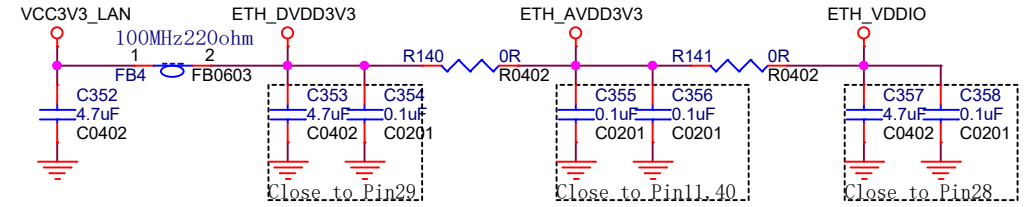
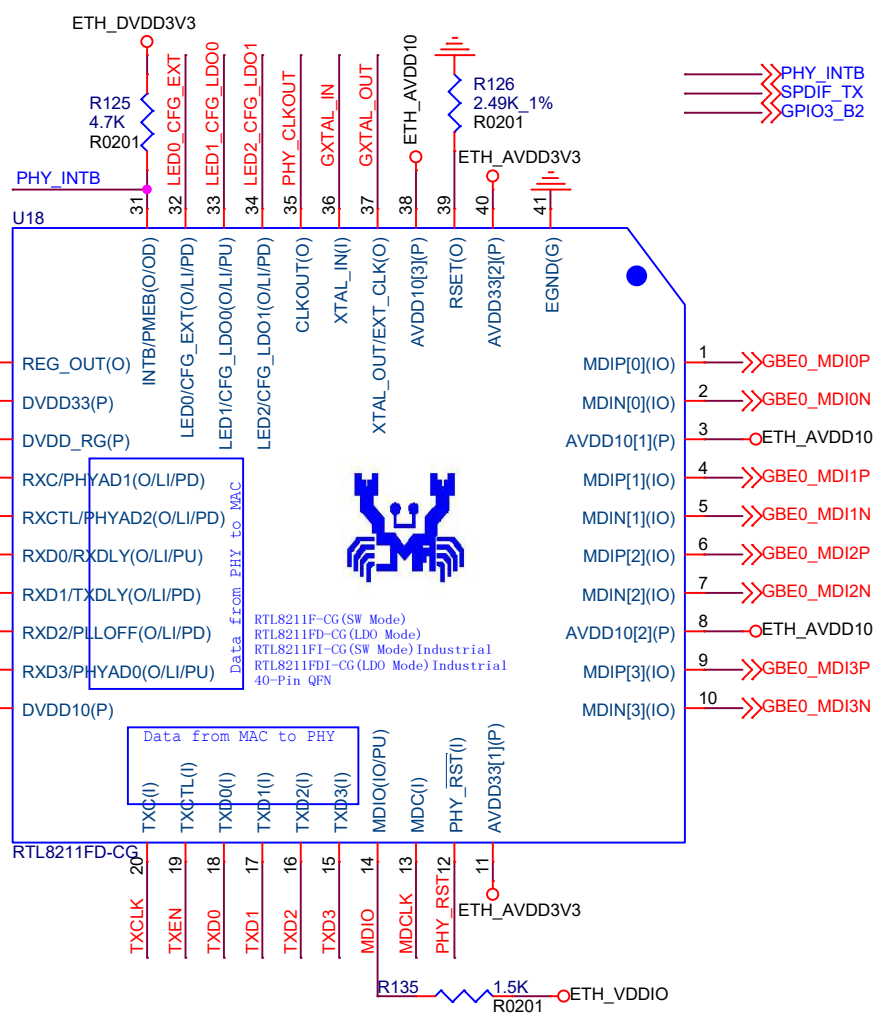
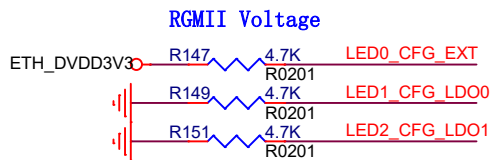
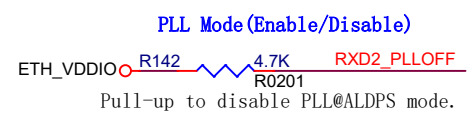
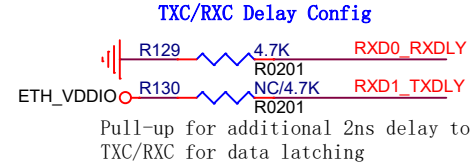
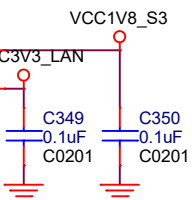
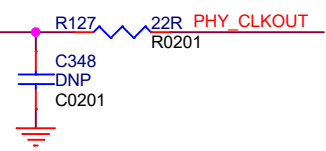
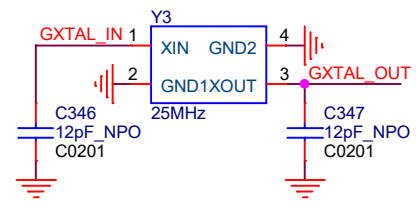
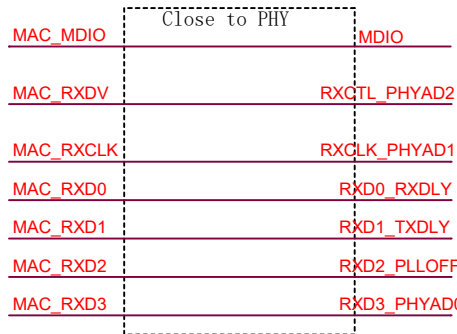
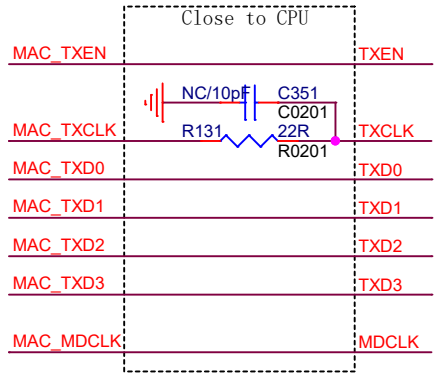
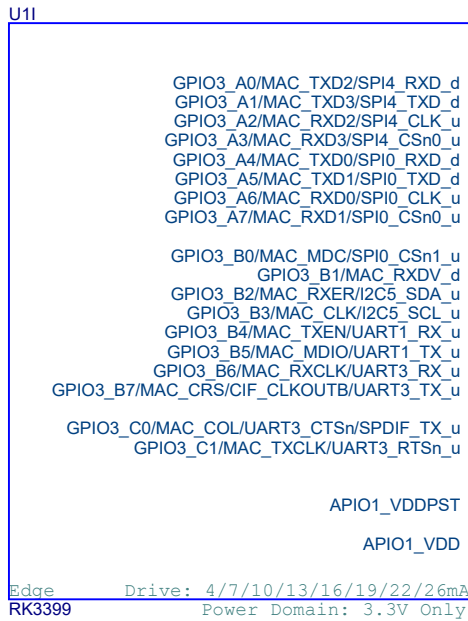


Shenzhen Wesion Technology Co., Ltd.			
Project:	Edge-V		
File:	PMU: RK808-D		
Date:	Monday, April 01, 2019	Rev:	V13
Designed by:	Gouwa	Sheet:	10 of 21



Shenzhen Wesion Technology Co., Ltd.			
<b>Project:</b>	Edge-V		
<b>File:</b>	Power Path		
<b>Date:</b>	Friday, April 12, 2019	<b>Rev:</b>	V13
<b>Designed by:</b>	Gouwa	<b>Sheet:</b>	11 of 21



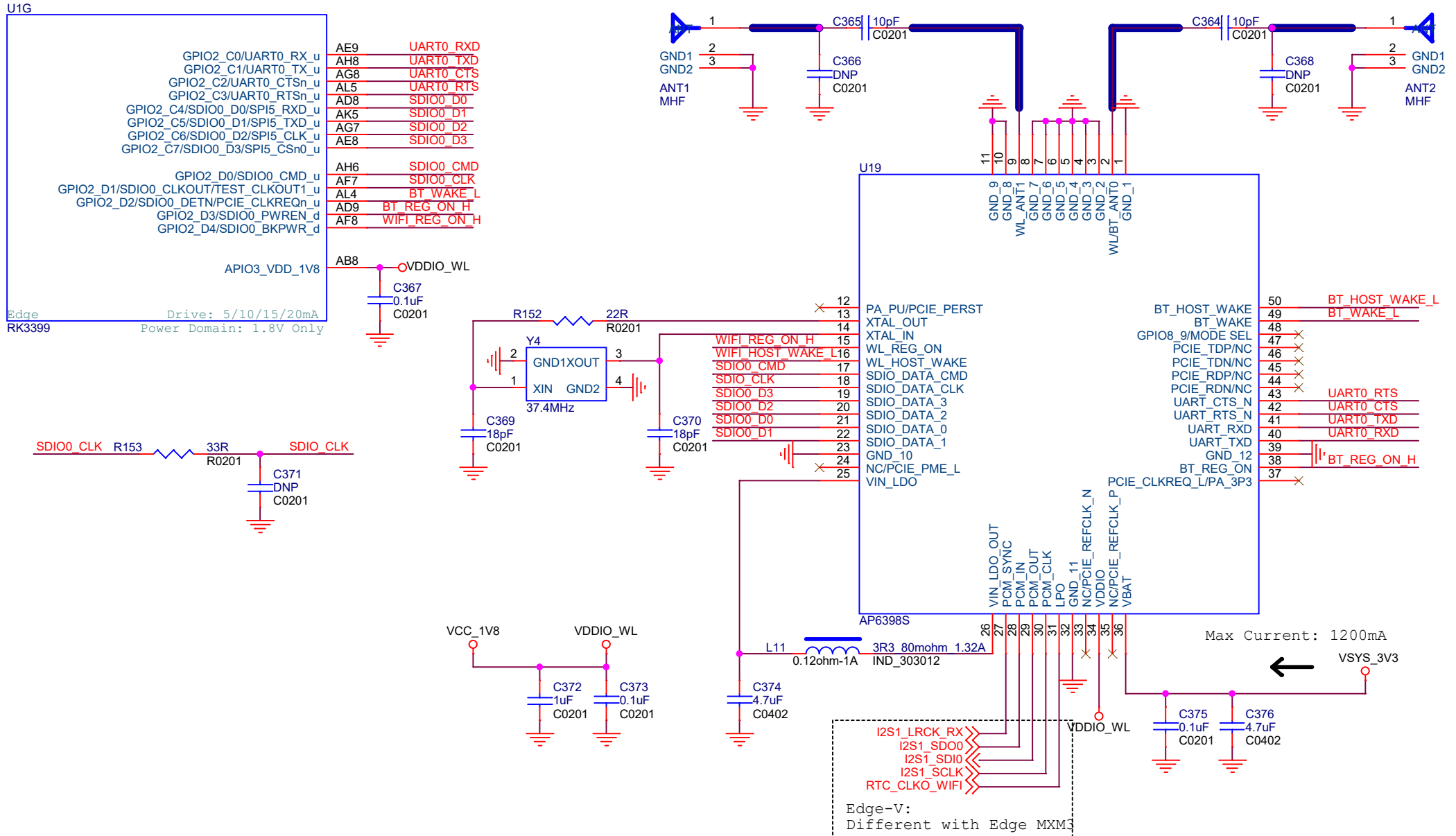


**Shenzhen Wesion Technology Co., Ltd.**

<b>Project:</b>	Edge-V
<b>File:</b>	Ethernet PHY
<b>Date:</b>	Monday, April 01, 2019
<b>Designed by:</b>	Gouwa
<b>Rev:</b>	V13
<b>Sheet:</b>	13 of 21

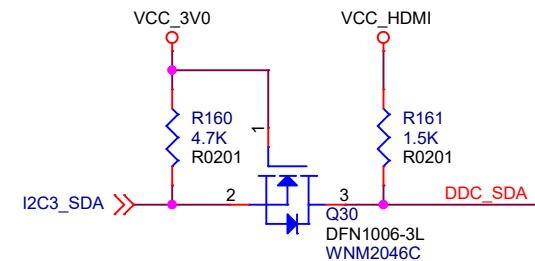
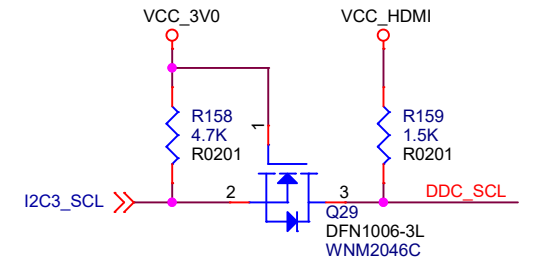
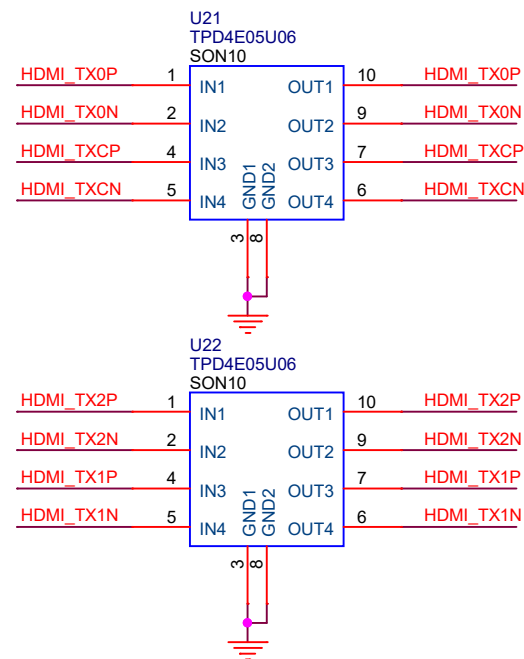
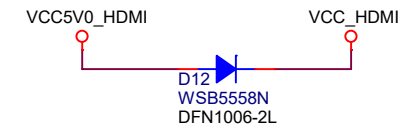
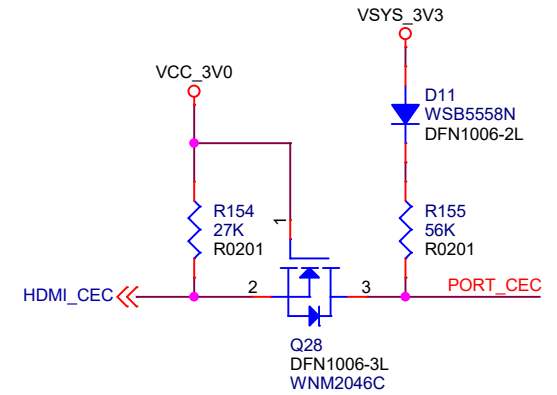
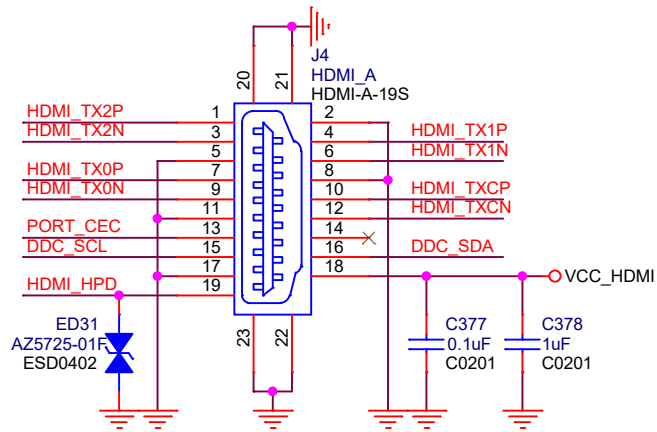
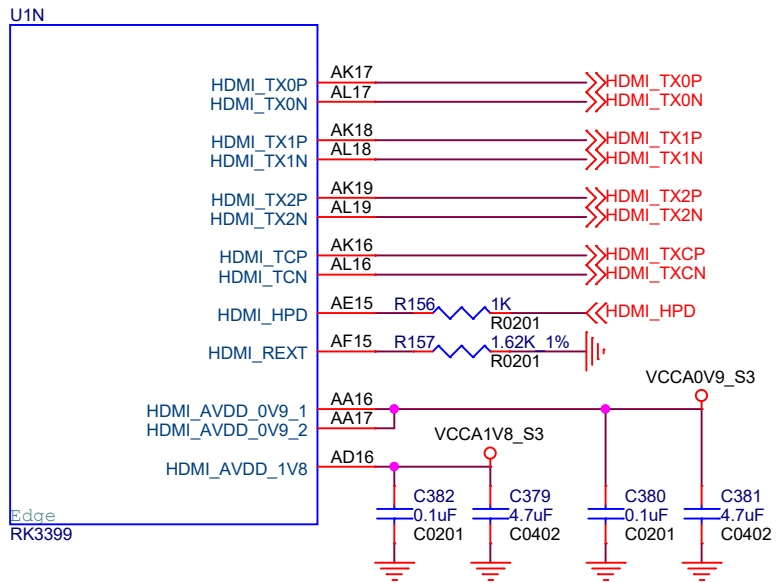
<<BT\_REG\_ON\_H  
 <<WIFI\_REG\_ON\_H  
 <<WIFI\_HOST\_WAKE\_L  
 <<BT\_HOST\_WAKE\_L

**50 Ohm RF trace**

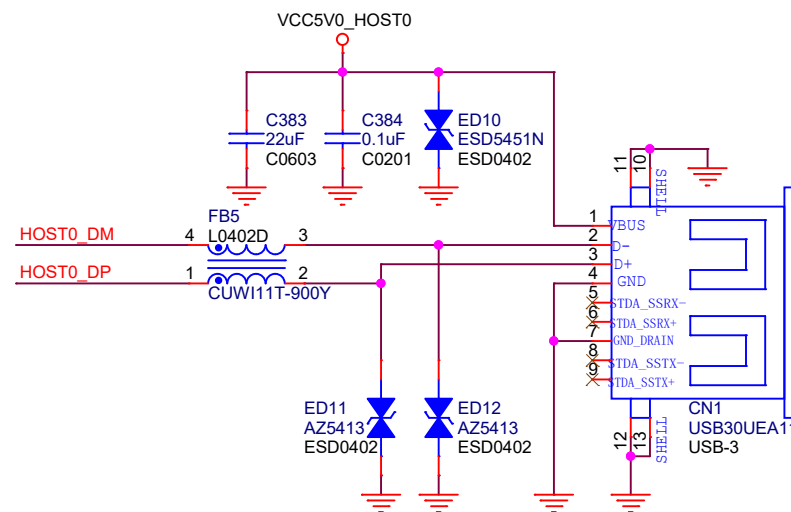
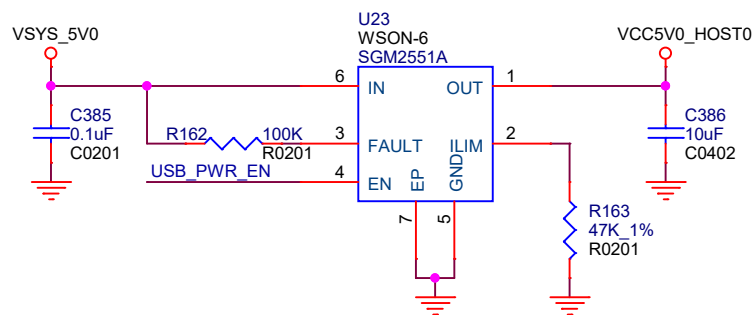


I2S1\_LRCK\_RX  
 I2S1\_SDO0  
 I2S1\_SDI0  
 I2S1\_SCLK  
 RTC\_CLKO\_WIFI  
 Edge-V:  
 Different with Edge MXM3

Shenzhen Wesion Technology Co., Ltd.			
<b>Project:</b>	Edge-V		
<b>File:</b>	Wi-Fi & BT		
<b>Date:</b>	Monday, April 01, 2019	<b>Rev:</b>	V13
<b>Designed by:</b>	Gouwa	<b>Sheet:</b>	14 of 21



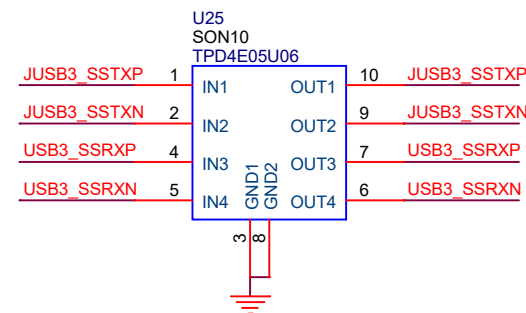
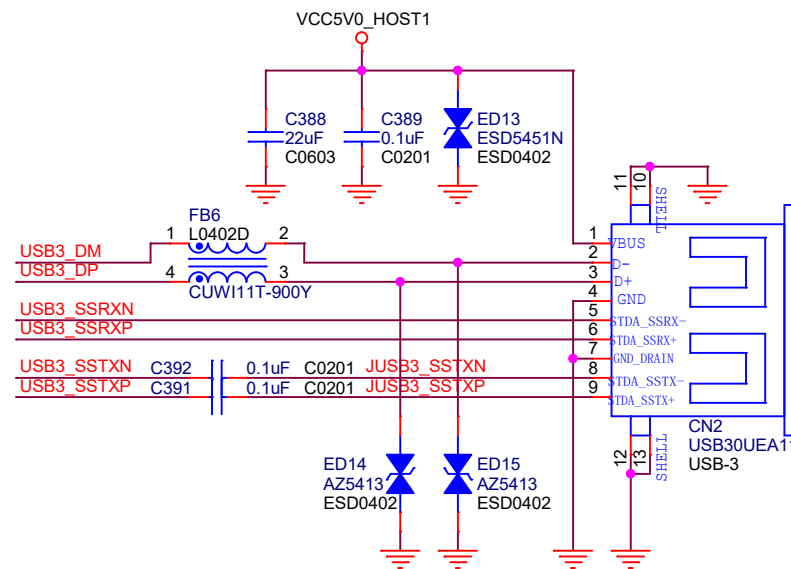
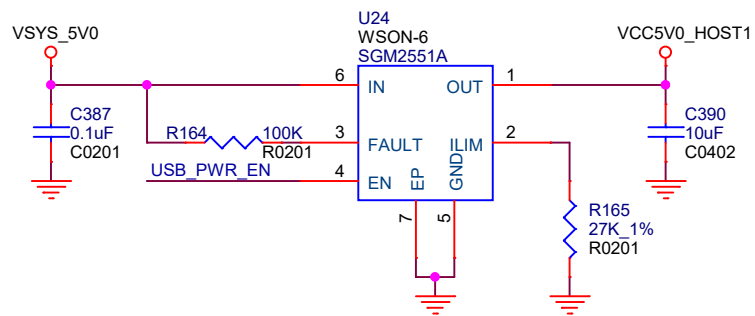
Shenzhen Wesion Technology Co., Ltd.			
<b>Project:</b>	Edge-V		
<b>File:</b>	HDMI OUT		
<b>Date:</b>	Monday, April 01, 2019	<b>Rev:</b>	V13
<b>Designed by:</b>	Gouwa	<b>Sheet:</b>	15 of 21



- USB\_PWR\_EN
- HOST0\_DM
- HOST0\_DP
- JUSB3\_SSRXN
- JUSB3\_SSRXP
- JUSB3\_SSTXN
- JUSB3\_SSTXP
- JUSB3\_DM
- JUSB3\_DP

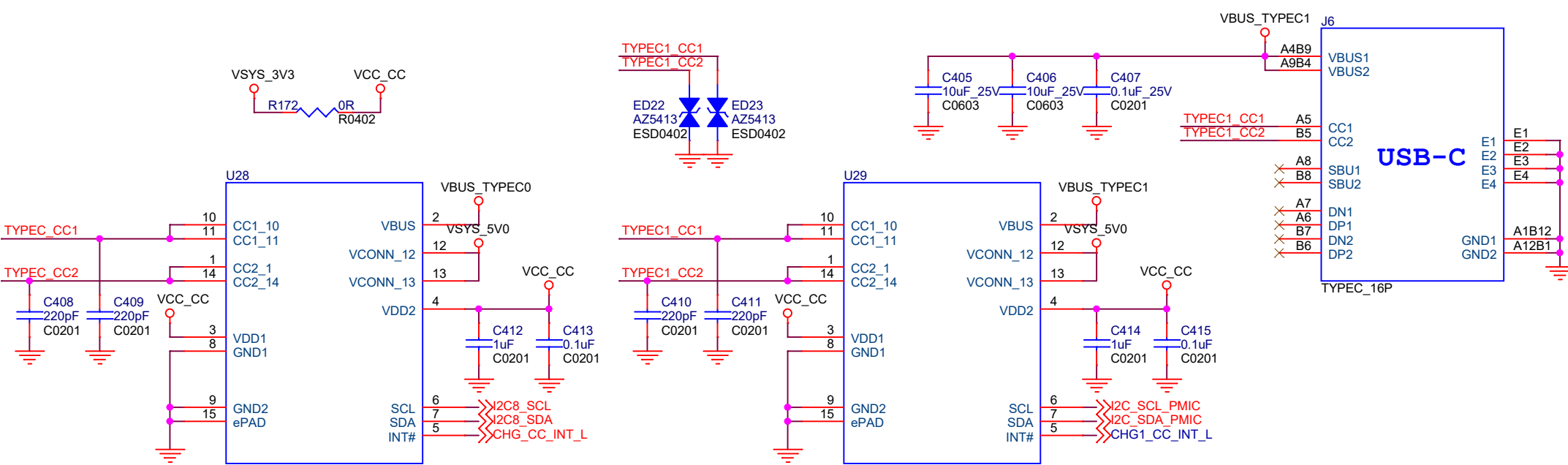
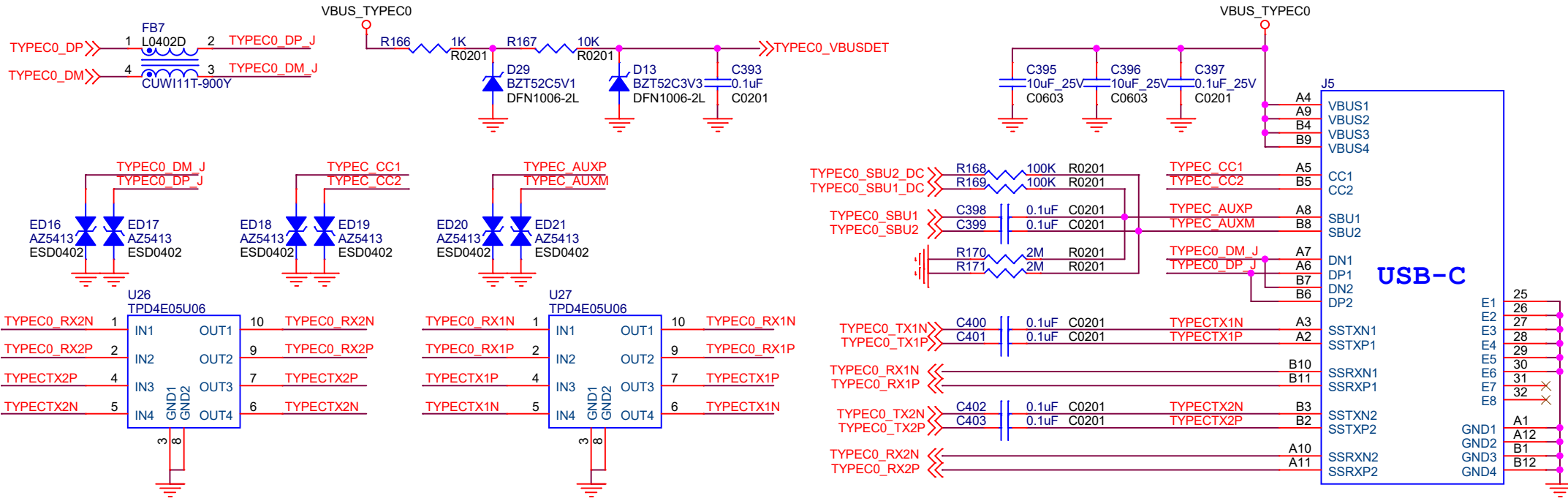
USB2.0 HOST

USB3.0 HOST

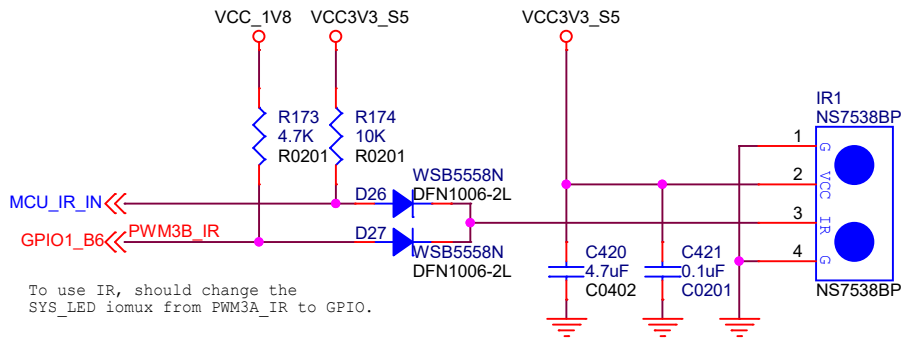


Shenzhen Wesion Technology Co., Ltd.			
<b>Project:</b>	Edge-V		
<b>File:</b>	USB Host		
<b>Date:</b>	Monday, April 01, 2019	<b>Rev:</b>	V13
<b>Designed by:</b>	Gouwa	<b>Sheet:</b>	16 of 21



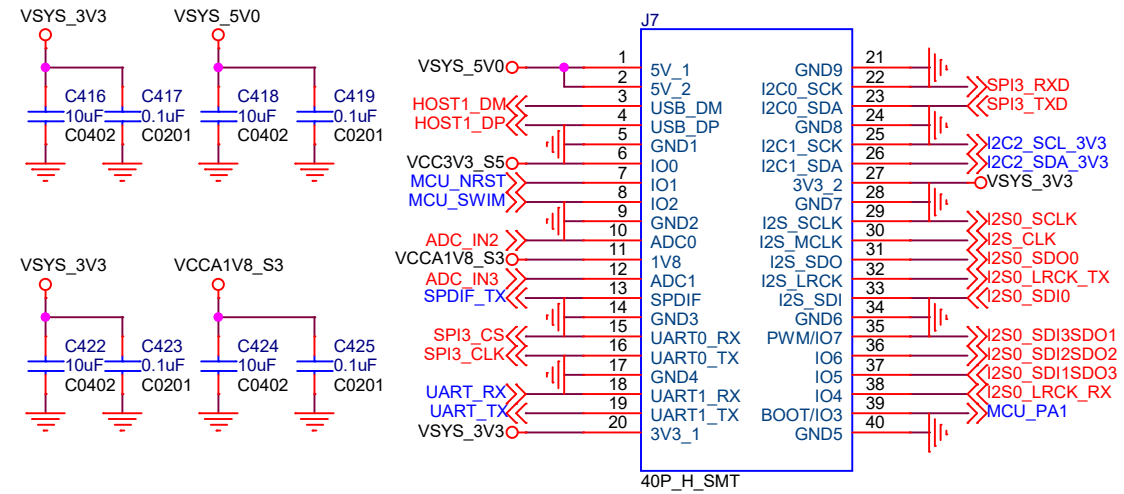


Shenzhen Wesion Technology Co., Ltd.			
<b>Project:</b>	Edge-V		
<b>File:</b>	USB-C		
<b>Date:</b>	Friday, April 12, 2019	<b>Rev:</b>	V13
<b>Designed by:</b>	Gouwa	<b>Sheet:</b>	17 of 21



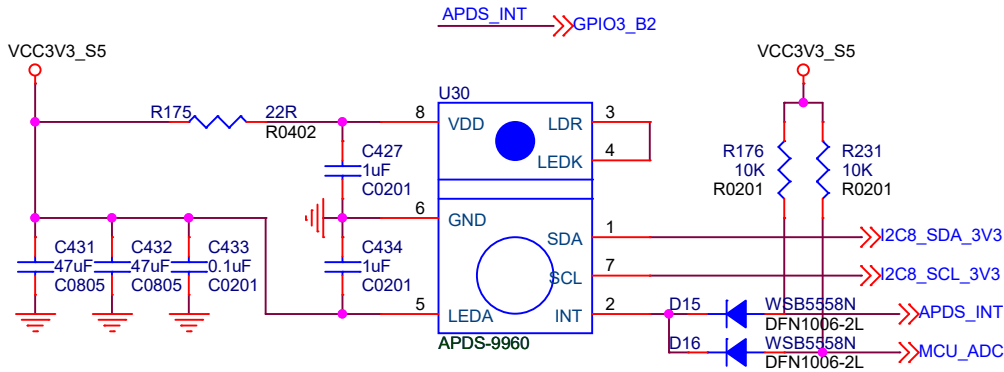
To use IR, should change the SYS\_LED iomux from PWM3A\_IR to GPIO.

IR

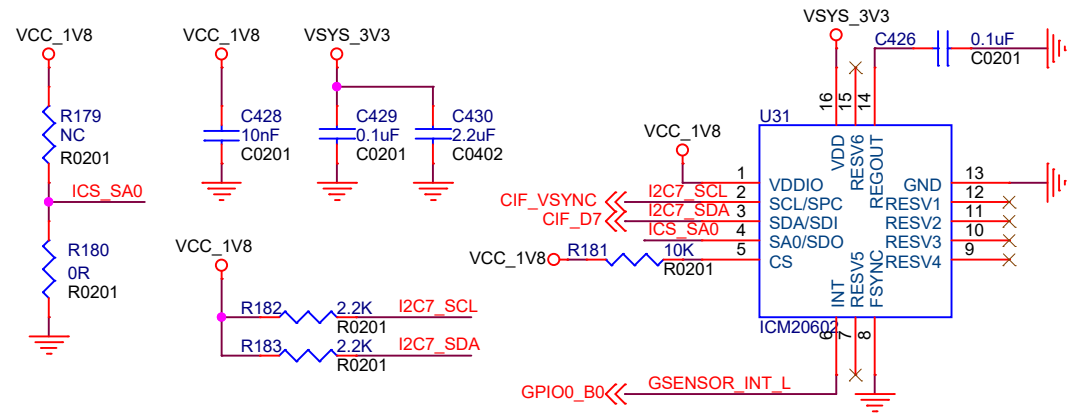


GPIO Header

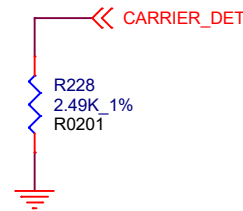
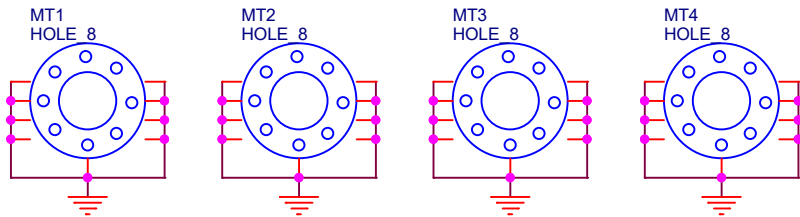
Gestures



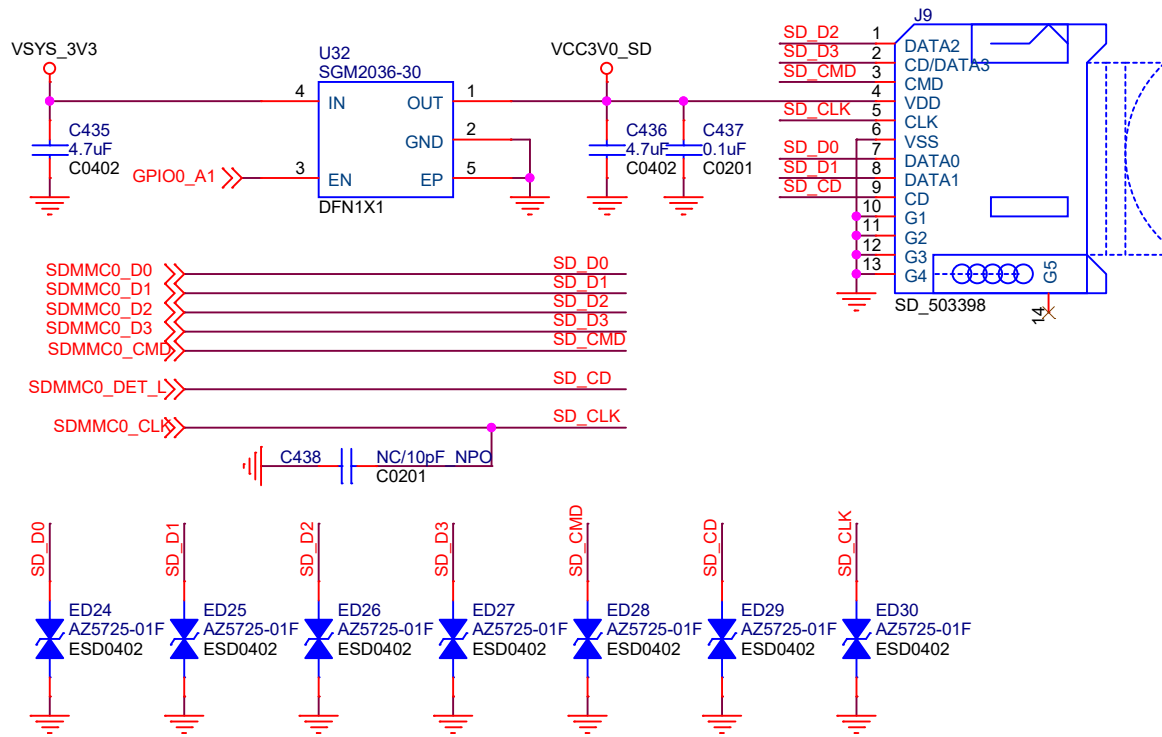
Gyroscope+G-Sensor



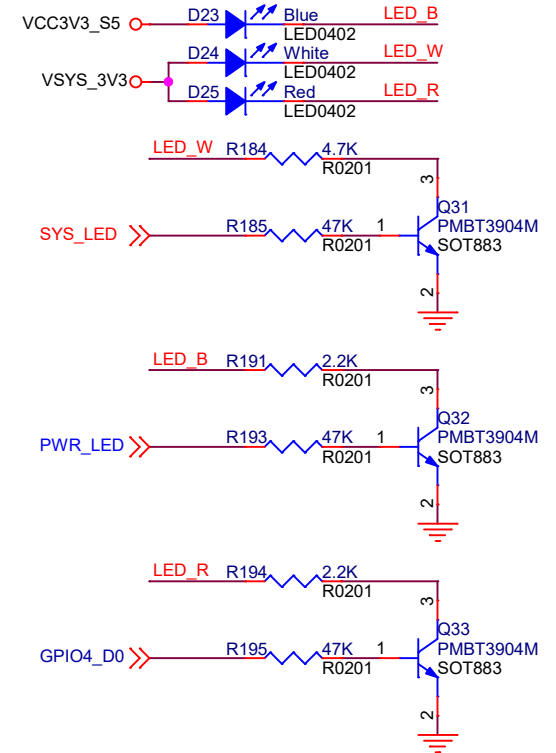
Boards Detection



Shenzhen Wesion Technology Co., Ltd.			
Project:	Edge-V		
File:	GPIO/IR		
Date:	Friday, April 12, 2019	Rev:	V13
Designed by:	Gouwa	Sheet:	18 of 21

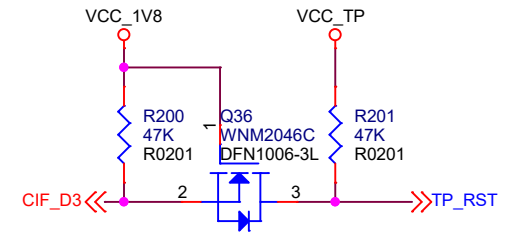
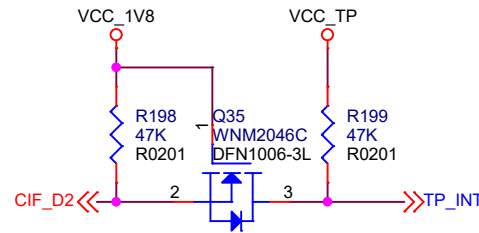
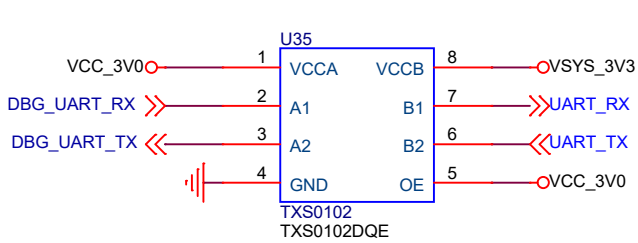


TF Card

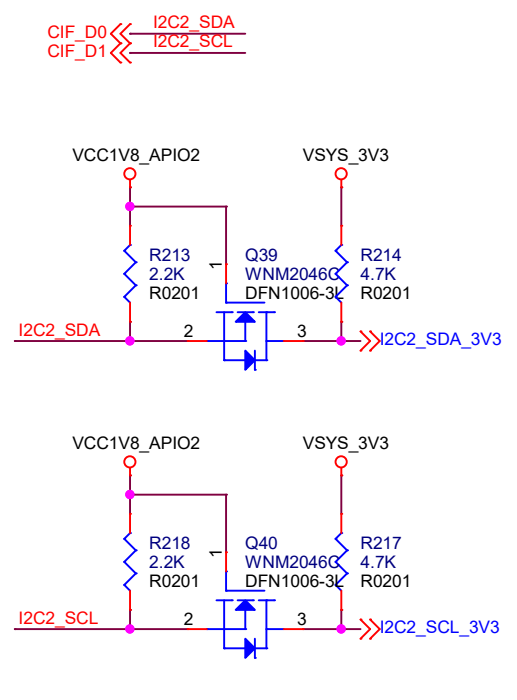
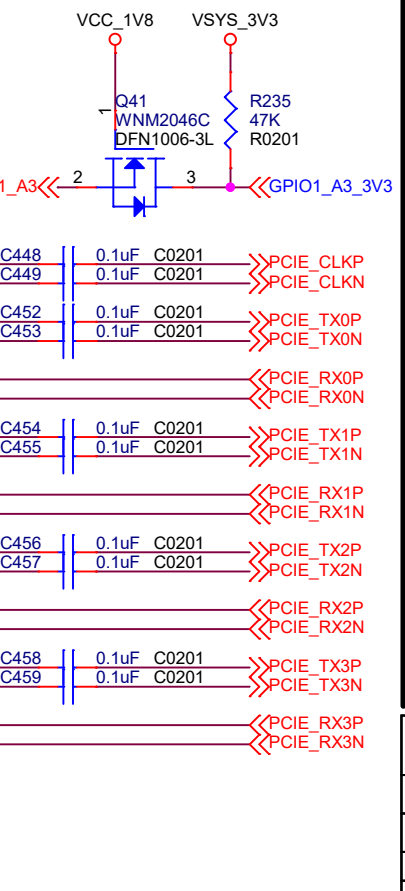
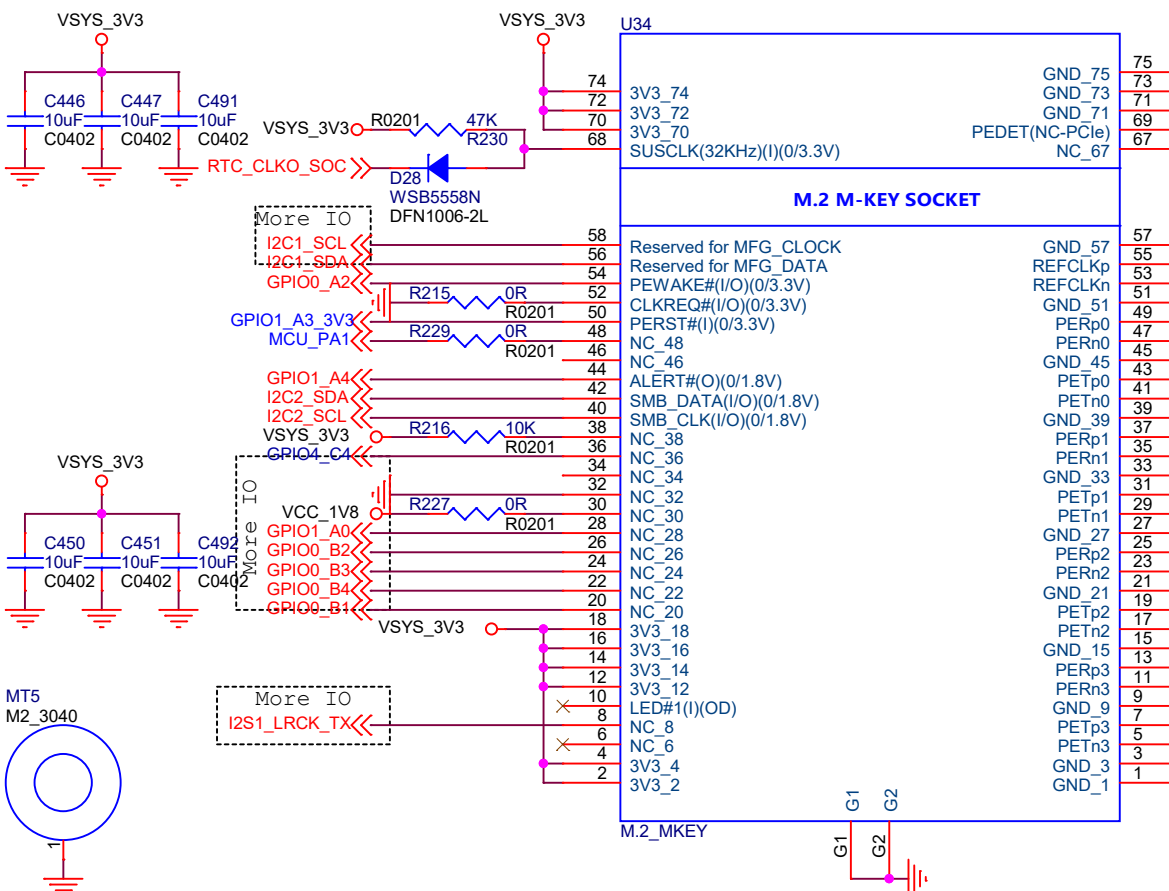
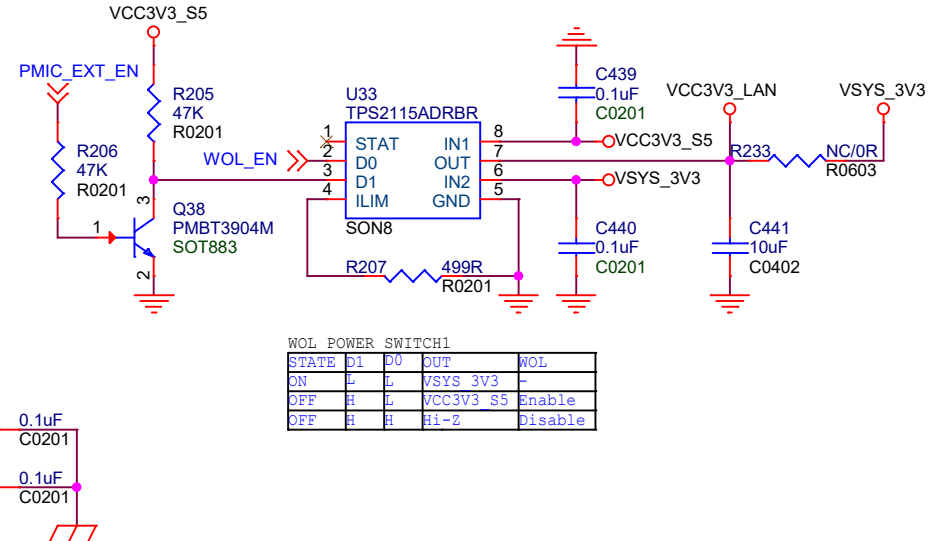
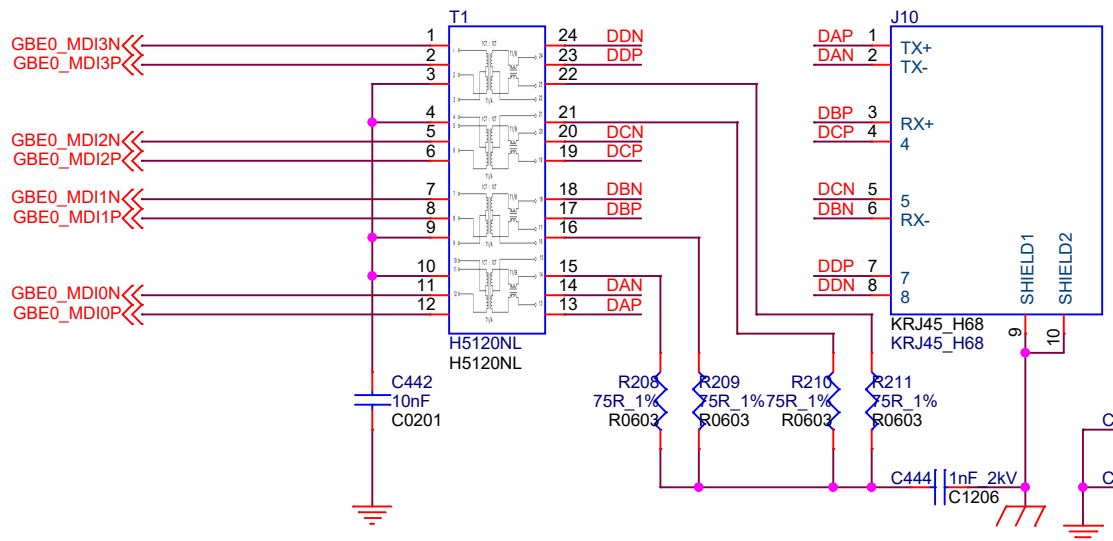


LED

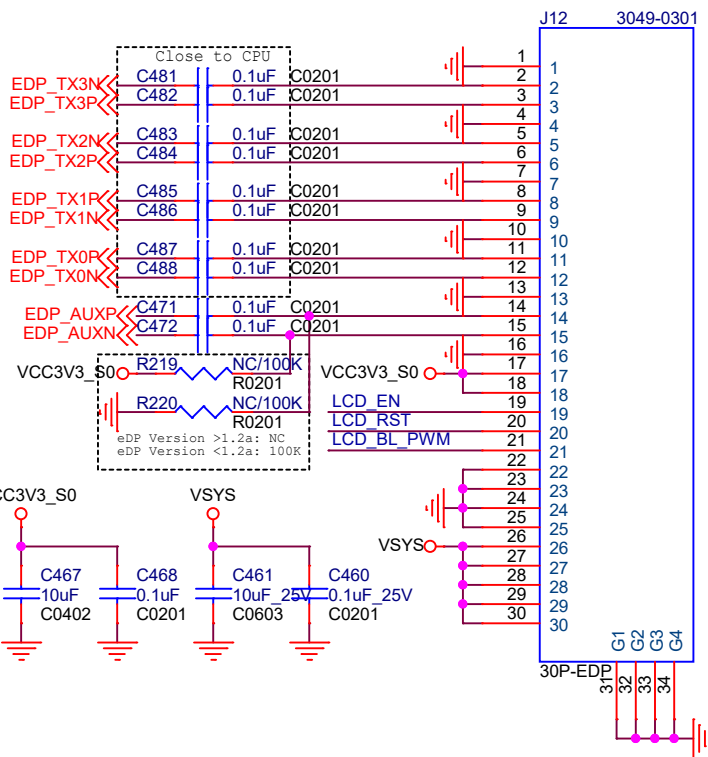
## Voltage-Level Translator



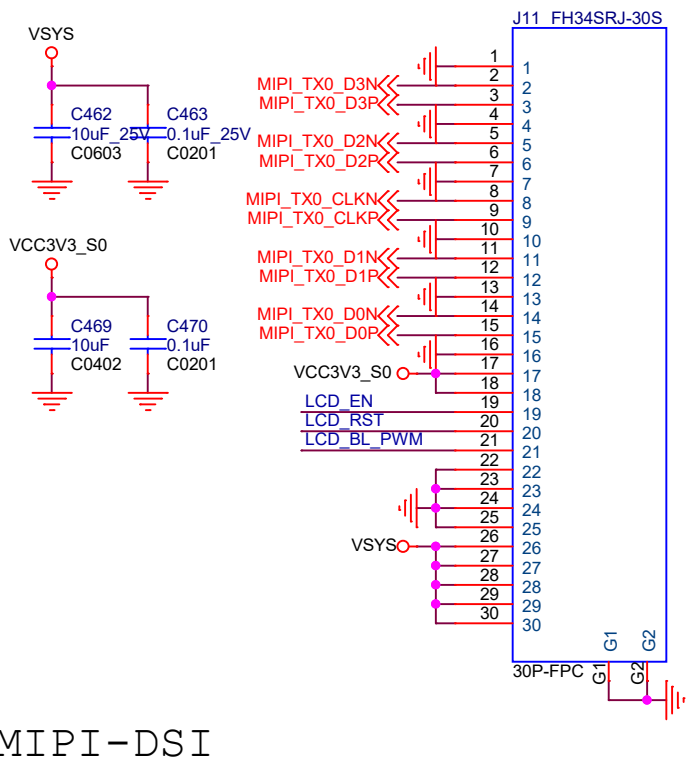
Shenzhen Wesion Technology Co., Ltd.			
<b>Project:</b>	Edge-V		
<b>File:</b>	TF Card		
Date:	Friday, April 12, 2019	Rev:	V13
Designed by:	Gouwa	Sheet:	19 of 21



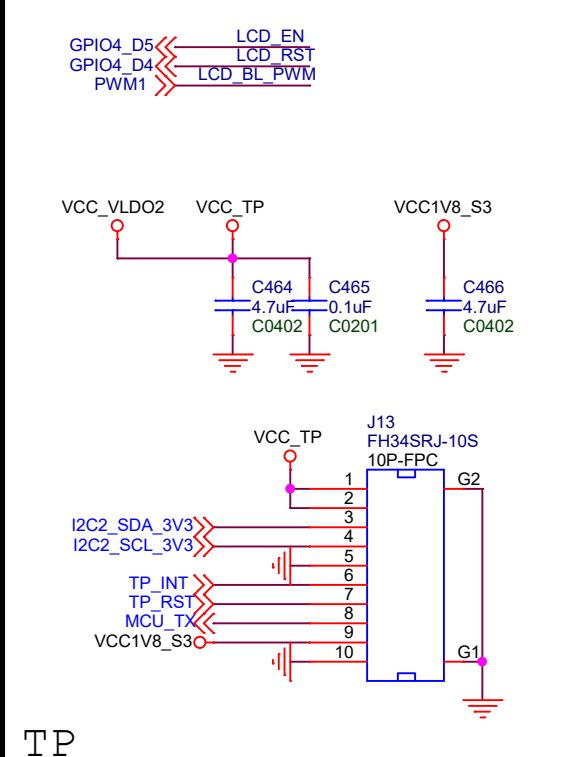
Shenzhen Wesion Technology Co., Ltd.			
Project:	Edge-V		
File:	LAN & M.2		
Date:	Friday, April 12, 2019	Rev:	V13
Designed by:	Gouwa	Sheet:	20 of 21



eDP

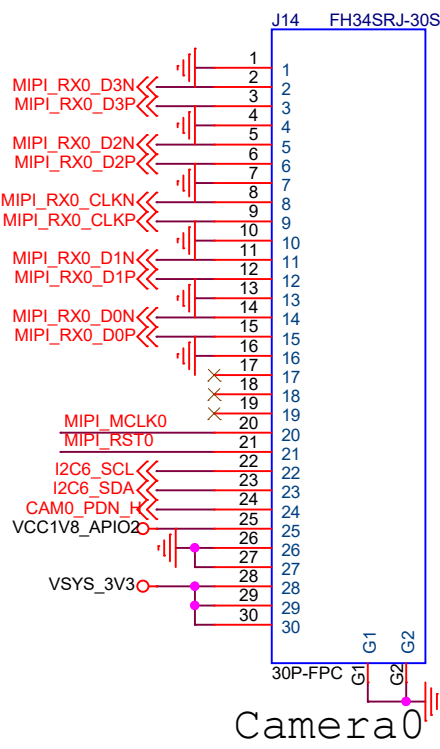


MIPI-DSI

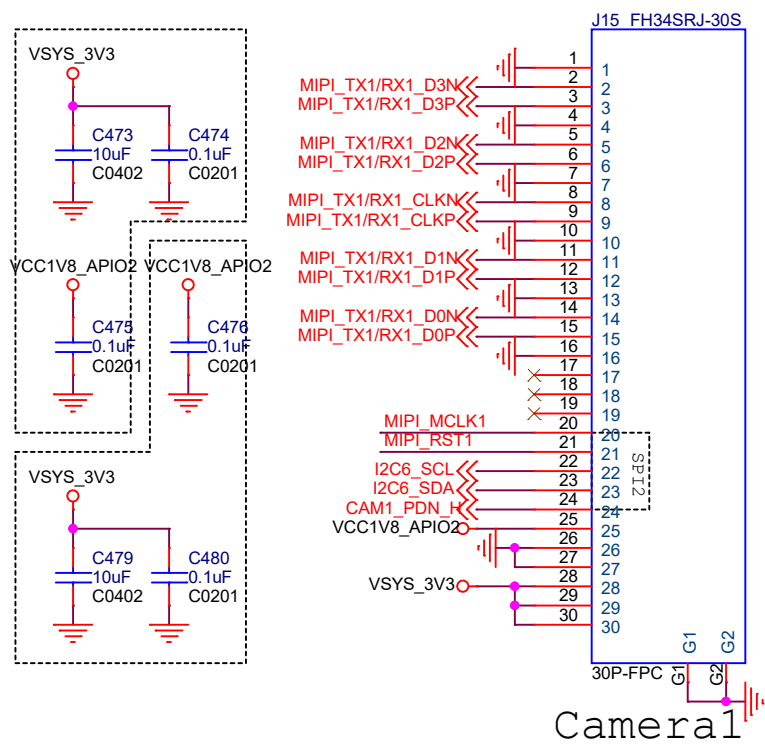


TP

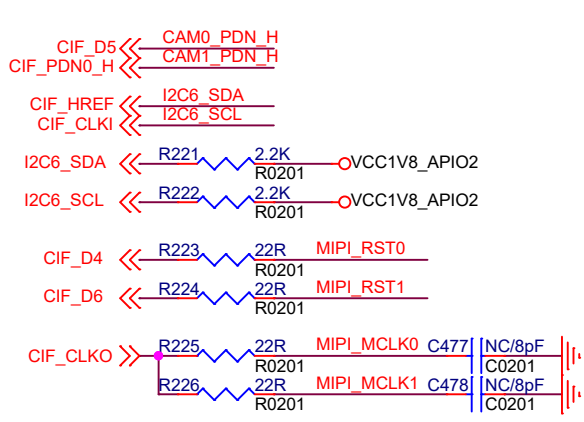
MIPI-CSI



Camera0



Camera1



Shenzhen Wesion Technology Co., Ltd.			
<b>Project:</b>	Edge-V		
<b>File:</b>	eDP & MIPI DSI/CSI		
<b>Date:</b>	Friday, April 12, 2019	<b>Rev:</b>	V13
<b>Designed by:</b>	Gouwa	<b>Sheet:</b>	21 of 21