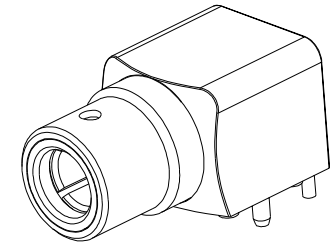
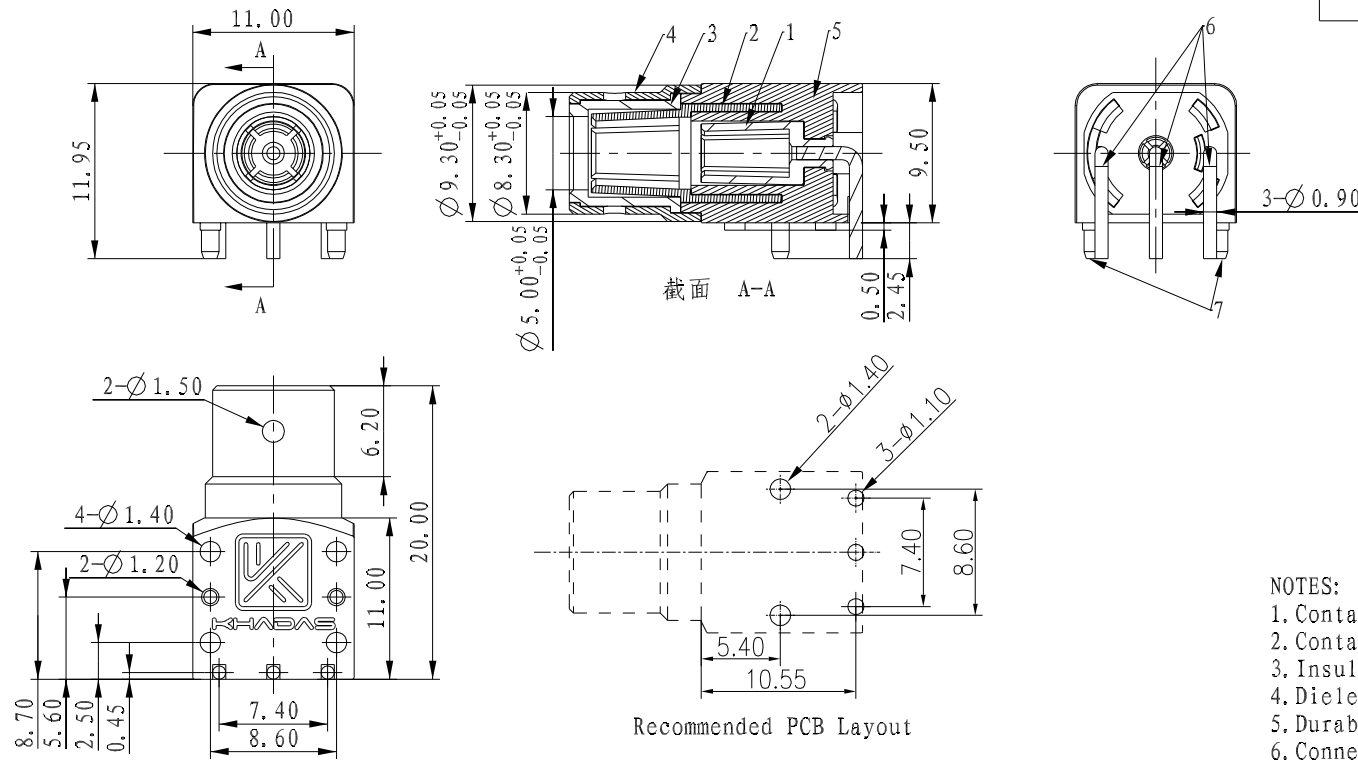


REV.	ECN NO.	Description	Design	Date



NOTES:

- Contact current rating: 1A;
- Contact resistance: 50mohm max;
- Insulation resistance: 100mohm max;
- Dielectric withstanding: 500V AC min;
- Durability: 5000 cycles min;
- Connector mating force: 4.9-24.5N (0.5-2.5kgf);
- Connector unmating force: 4.9-24.5N (0.5-2.5kgf);
- This product meets the request of the RoHs.

NQ.	Part name	Q'ty	Materials	Description	Unless otherwise specified tolerance			深圳市世野科技有限公司 SHENZHEN WESTON TECHNOLOGY CO.,LTD.		
7	Mouting Post	2	Brass	Solder: 1u'' Au	This drawing contains information that is proprietary to Shenzhen Weston Technology Co.,Ltd. And should not be used without written permission.	Angles	$\pm 5^\circ$		Signed by	Date
6	Wire Pin	3	Brass	Solder: 1u'' Au		Plastic Part TOL.	$\pm 0.20\text{mm}$			
5	Shell	1	PA66+GF30	Black	Third angle projection	Metal Part TOL.	$\pm 0.05\text{mm}$		Designed by:	Leo
4	Body	1	Brass	Contact: 2u'' Au		Material NO.: See the table for details	Checked by:	20200930		
3	Insulator	1	POM	Orange/Red/White		Drawing REV.	Unit	Scale	Approved by:	
2	Contact Pin B	1	Brass	Contact: 2u'' Au		A0	mm	2:1	Part Name:	BALANCED RCA JACK
1	Contact Pin A	1	Brass	Contact: 2u'' Au					Part No.:	RJ-B01
									Page 1	