

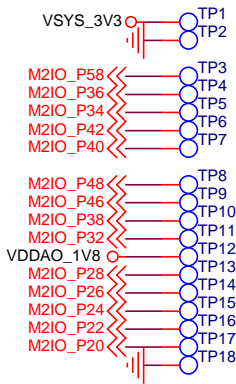


KHADAD

Something a little different.

Shenzhen Wesion Technology Co., Ltd.			
Project:	M2X_WWAN		
File:	Khadad		
Date:	Tuesday, October 11, 2022	Rev:	V13
Designed_by:	Totti	Sheet:	0

EXT IO	EDGE-V	VIM3	VIM4
PIN58	58:I2C1_SCL	58:TDMC_SCLK	58:I2S_SCLK2
PIN36	36:GPIO4_C4	36:TDMC_D0	36:TDM_D9
PIN34	34:NC	34:I2S_MCLK1	34:I2S_MCLK2
PIN42	42:I2C2_SDA	42:I2C_M3_SDA	42:I2CM_B_SDA
PIN40	40:I2C2_SCL	40:I2C_M3_SCL	40:I2CM_B_SCL
PIN48	48:MCU_PA1	48:NC	48:TDM_D5
PIN46	46:NC	46:NC	46:TDM_D6
PIN38	38VCC3C3_PCIE	38VSYS_3V3	38:TDM_D8
PIN32	32:GND	32:GND	32:TDM_D10
PIN30	30:1V8	30:1V8	30:1V8
PIN28	28:GPIO1_A0	28:MDI_RXP	28:MCU_USART2_TX
PIN26	26:GPIO0_B2	26:MDI_RXN	26:MCU_USART2_RX
PIN24	24:GPIO0_B3	24:ADC_KEY	24:MCU_PA15
PIN22	22:GPIO0_B4	22:MDI_TXP	22:MCU_I2C2_SDA
PIN20	20:GPIO0_B1	20:MDI_TXN	20:MCU_I2C2_SCL

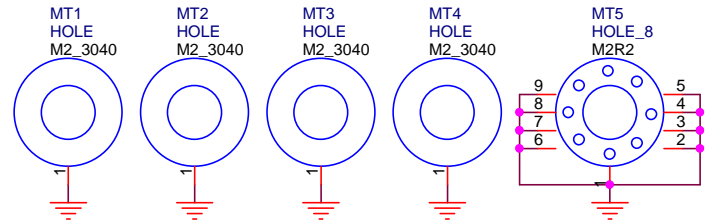


Main Funtion

VIM3/4: I2S_SCLK
VIM3/4: I2S_DATA IN/OUT
VIM3/4: I2S_MCLK
VIM3/4: I2S_I2C_SDA
VIM3/4: I2S_I2C_SCL

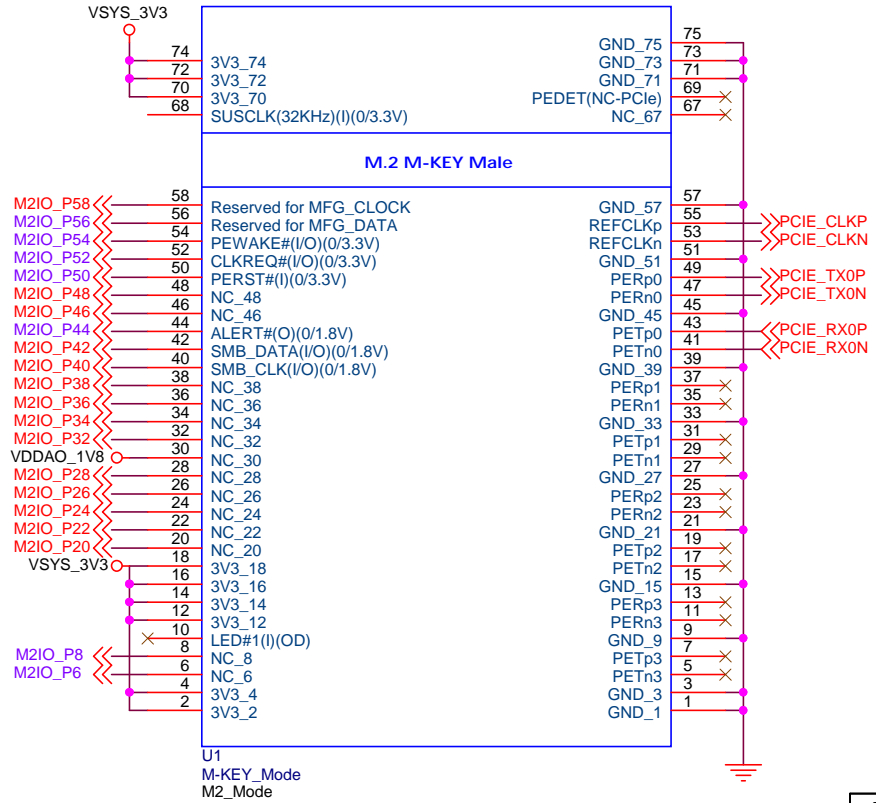
VIM4: I2S_DATA IN/OUT
VIM4: I2S_DATA IN/OUT
VIM4: I2S_DATA IN/OUT
VIM4: I2S_DATA IN/OUT

VIM3: 100M ETH DATA VIM4: MCU IO
VIM3: 100M ETH DATA VIM4: MCU IO
VIM3: ADC VIM4: MCU IO
VIM3: 100M ETH DATA VIM4: MCU IO
VIM3: 100M ETH DATA VIM4: MCU IO



FROM KHADAS SBC

M.2 IO	EDGE-V	VIM3	VIM4
PIN58	58:I2C1_SCL	58:TDMC_SCLK	58:I2S_SCLK2
PIN56	56:I2C1_SDA	56:TDMC_FS	56:I2S_LRCLK2
PIN54	54:GPIO0_A2	54:TDMC_D3	54:TDM_D4
PIN52	52:GND	52:GND	52:PCIECK_RBQN
PIN50	50:GPIO1_A3	50:TDMC_D2	50:PCIE_RST_N
PIN48	48:MCU_PA1	48:NC	48:TDM_D5
PIN46	46:NC	46:NC	46:TDM_D6
PIN44	44:GPIO1_A4	44:TDMC_D1	44:TDM_D7
PIN42	42:I2C2_SDA	42:I2C_M3_SDA	42:I2CM_B_SDA
PIN40	40:I2C2_SCL	40:I2C_M3_SCL	40:I2CM_B_SCL
PIN38	38VCC3C3_PCIE	38VSYS_3V3	38:TDM_D8
PIN36	36:GPIO4_C4	36:TDMC_D0	36:TDM_D9
PIN34	34:NC	34:I2S_MCLK1	34:I2S_MCLK2
PIN32	32:GND	32:GND	32:TDM_D10
PIN30	30:1V8	30:1V8	30:1V8
PIN28	28:GPIO1_A0	28:MDI_RXP	28:MCU_USART2_TX
PIN26	26:GPIO0_B2	26:MDI_RXN	26:MCU_USART2_RX
PIN24	24:GPIO0_B3	24:ADC_KEY	24:MCU_PA15
PIN22	22:GPIO0_B4	22:MDI_TXP	22:MCU_I2C2_SDA
PIN20	20:GPIO0_B1	20:MDI_TXN	20:MCU_I2C2_SCL
PIN18	18:3V3	18:3V3	18:3V3
PIN16	16:3V3	16:3V3	16:3V3
PIN14	14:3V3	14:3V3	14:3V3
PIN12	12:3V3	12:3V3	12:3V3
PIN10	10:NC	10:NC	10:NC
PIN8	8:I2S1_LRCK_TX	8:HUB_DP3	8:HUB_DP3
PIN6	6:NC	6:HUB_DM3	6:HUB_DM3
PIN4	4:3V3	4:3V3	4:3V3
PIN2	2:3V3	2:3V3	2:3V3



Both:
Purple: 4G/5G usage

VIM3:
Blue: 1.8V (others: 3.3V)

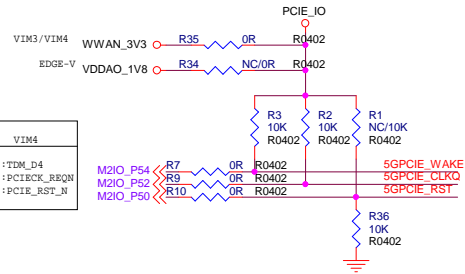
Edge-V:
Red: 3.3V (others: 1.8V)

VIM4:
ALL: 3.3V

Shenzhen Wesion Technology Co., Ltd.			
Project:	M2X_WWAN		
File:	PCIE IO		
Date:	Monday, September 23, 2024	Rev:	V13
Designed_by:	Totti	Sheet:	1

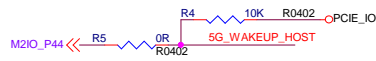
PCIE IO

PCIE IO	EDGE-V	VIM3	VIM4
SGPCIE_WAKE	54:GP100_A2	54:TMDC_D3	54:TMDC_D4
SGPCIE_CLKQ	52:GND	52:GND	52:PCIECKY_REQN
SGPCIE_RST	50:GP101_A3	50:TMDC_D2	50:PCIE_RST_N

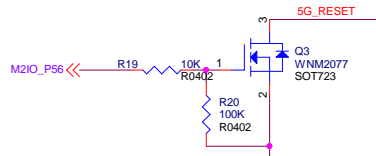


Ctrl IO

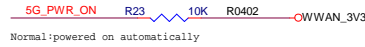
4/5G Ctrl IO	EDGE-V	VIM3	VIM4
WAKEUP_HOST	44:GP101_A4	44:TMDC_D1	44:TMDC_D7
RESET	56:I2C1_SDA	56:TMDC_PS	56:I2S_LRCLK2



When this pin active low, 5G module wake up the host

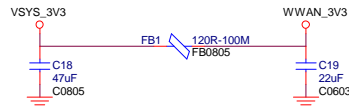


When this pin active high, 5G module will be reset.
Normal : active low

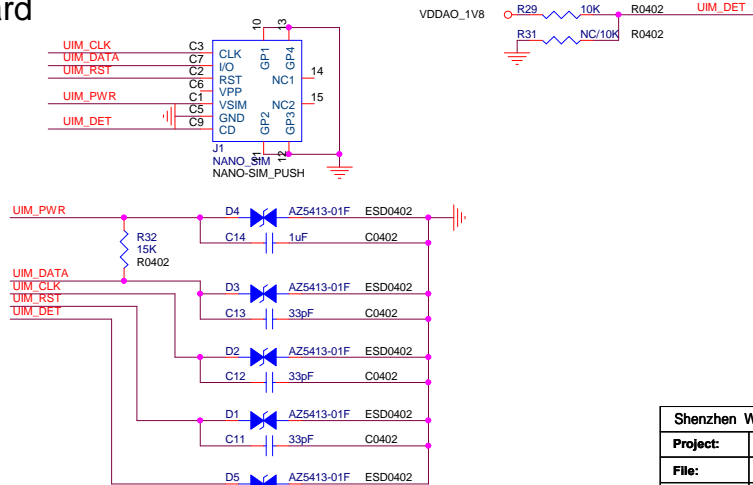


Normal: powered on automatically

POWER



Nano SIM card



Shenzhen Wesson Technology Co., Ltd.			
Project:	M2X_WWAN		
File:	LTE/5G-M2		
Date:	Tuesday, October 11, 2022	Rev:	V13
Designed_by:	Toili	Sheet:	2

